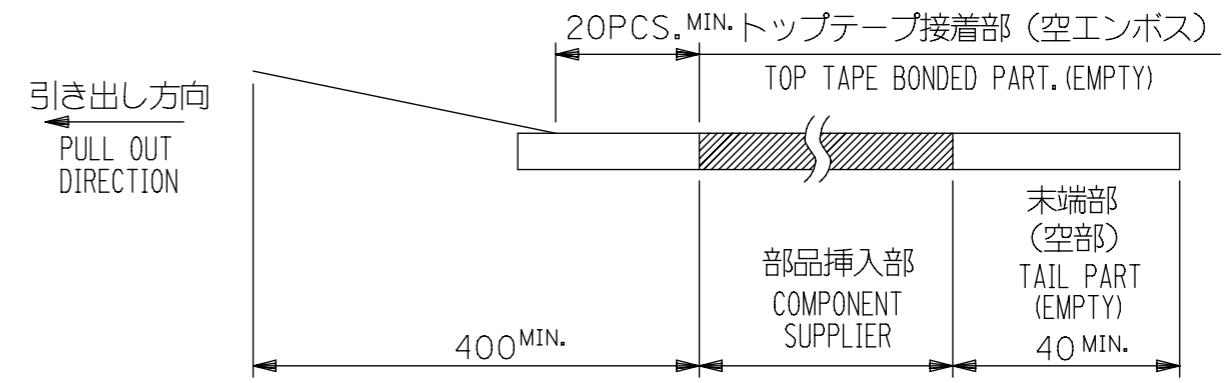
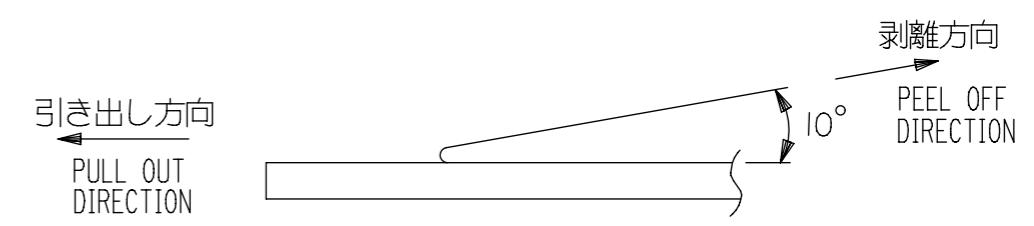


NOTES

- 製品詳細寸法については図面 512811000-SD を参照下さい。  
RE DETAILED DIMENSION, SEE 512811000-SD
- 梱包数量：3000個/リール  
NUMBER OF CONNECTORS : 3000PCS/REEL
- リードテープ長さ LEAD TAPE LENGTH

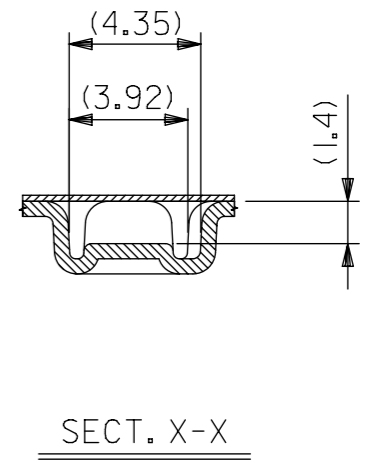
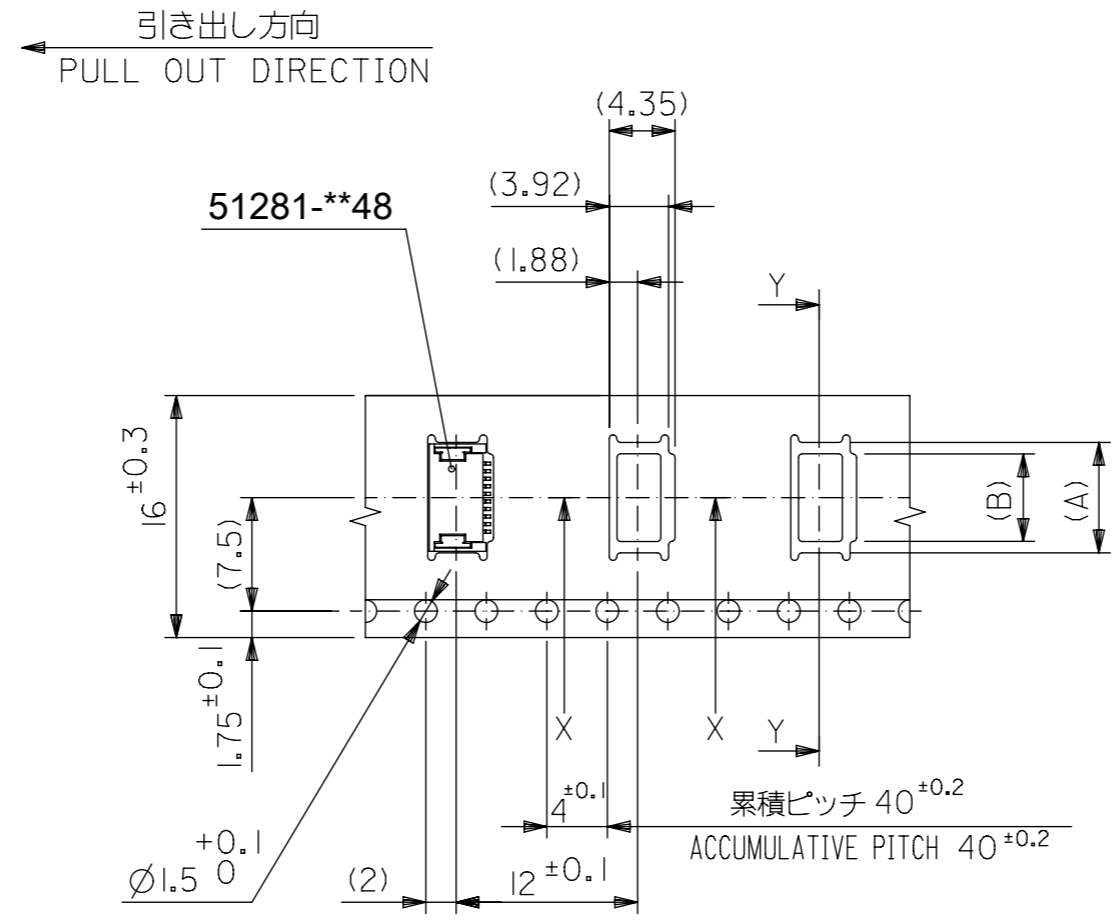
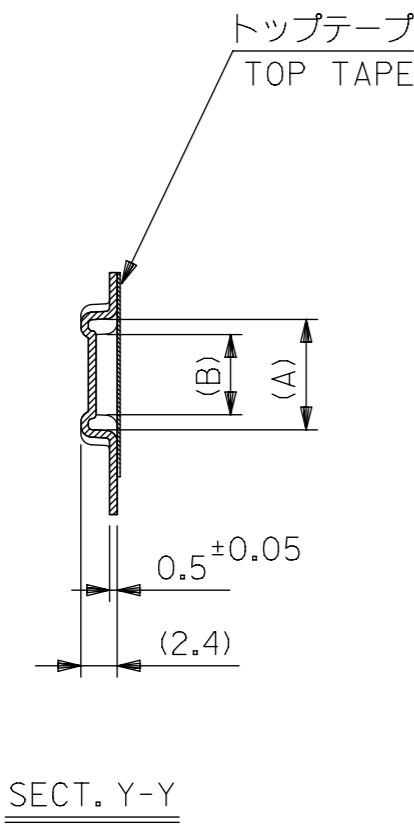


- トップテープの剥離強度：0.1N~1.3N {10gf~130gf}  
(剥離方向は下図参照)  
尚、本規格値は出荷時に適用。(但し、輸送時に剥離が発生しないこと。)  
PEELING OFF FORCE OF TOP TAPE : 0.1N~1.3N {10gf~130gf}  
(PEELING DIRECTION AS SHOWN IN FOLLOWING FIG.)  
THIS REQUIREMENT SHOULD BE APPLIED AT SHIPMENT.  
PEEL OFF SHOULD NOT BE ALLOWED , DURING TRANSPORTATION.



- 材料 (MATERIAL)  
キャリアテープ (CARRIER TAPE) : ポリプロピレン (POLYPROPYLENE)  
トップテープ (TOPTAPE) : PET , PE , PEF  
リール (REEL) : ポリスチレン (PS) <リサイクル材含む>  
POLYSTYRENE (PS) <RECYCLE MATERIAL CONTAINED>
- C, D 寸法は SHEET 2 ~ 3 を参照下さい。  
SEE SHEET 2 ~ 3 (DIMENSION C, D).

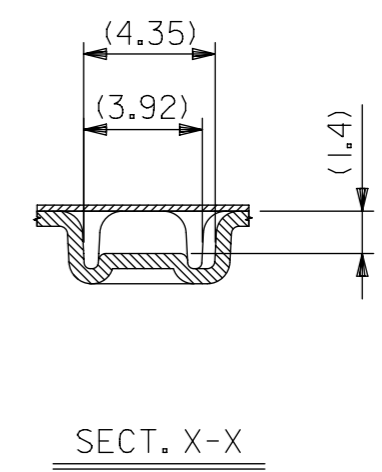
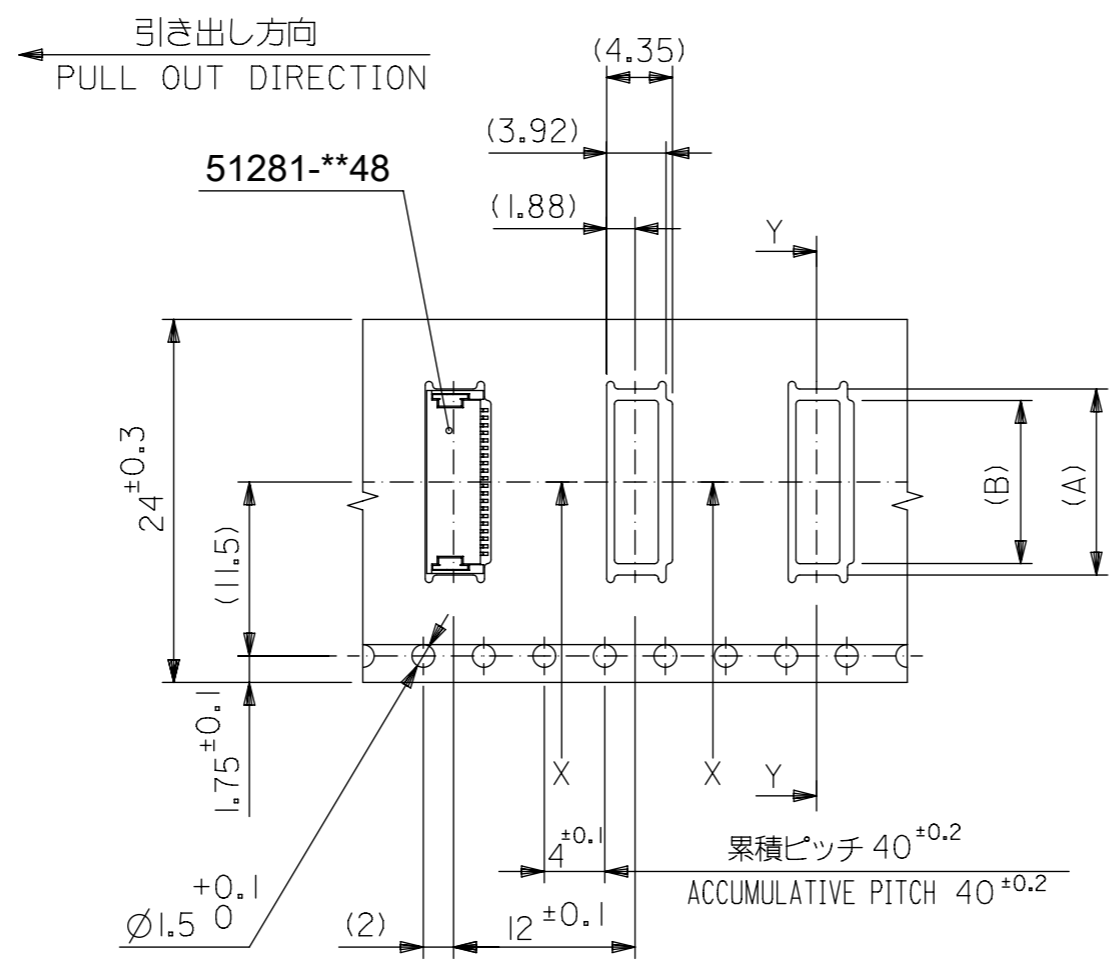
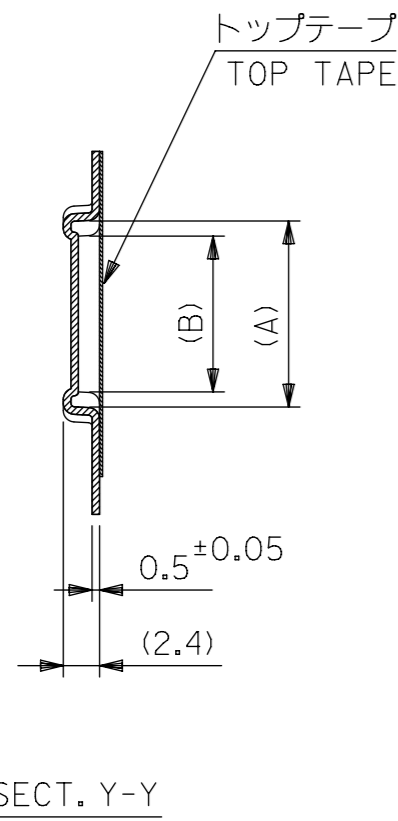
THIS DRAWING CONTAINS INFORMATION THAT IS PROPRIETARY TO MOLEX ELECTRONIC TECHNOLOGIES, LLC AND SHOULD NOT BE USED WITHOUT WRITTEN PERMISSION									
DIMENSION UNITS		SCALE		CURRENT REV DESC:				<b>molex</b>	
mm		NTS							
GENERAL TOLERANCES (UNLESS SPECIFIED)				EC NO: 735884				0.5 FPC CONN NON-ZIF (HGT=1.2MM) EMBSTP PKG	
ANGULAR TOL ± 3.0°				DRWN: NARENC 2023/01/23				PRODUCT CUSTOMER DRAWING	
4 PLACES ± 0.2				CHK'D: YNUKANOBU 2023/01/23					
3 PLACES ± 0.2				APPR: YNAITO 2023/01/23				DOCUMENT NUMBER	
2 PLACES ± 0.2				INITIAL REVISION:					
1 PLACE ± 0.2				DRWN: NARENC 2022/05/16				512810000-SD	
0 PLACES ± 0.2				APPR: YNAITO 2022/05/30					
DRAFT WHERE APPLICABLE MUST REMAIN WITHIN DIMENSIONS		THIRD ANGLE PROJECTION		DRAWING		SERIES		MATERIAL NUMBER	
		A3-SIZE		51281		SEE SHEET 2 TO 4		CUSTOMER	
				GENERAL MARKET		1 OF 4			



16mm幅キャリアテープ  
16mm WIDTH CARRIER TAPE

16	21.4	17.4	4.3	6.3	51281-0898	8
			3.8	5.8	51281-0798	7
			3.3	5.3	51281-0698	6
			2.8	4.8	51281-0598	5
キャリアテープ幅 CARRIER TAPE WIDTH	D	C	(B)	(A)	製品番号 MATERIAL No.	極数 CIRCUIT

DIMENSION UNITS		SCALE		CURRENT REV DESC:				<b>molex</b>				
mm		NTS										
GENERAL TOLERANCES (UNLESS SPECIFIED)				EC NO: 735884				0.5 FPC CONN NON-ZIF (HGT=1.2MM) EMBSTP PKG				
ANGULAR TOL ± 3.0 °				DRWN: NARENC 2023/01/23								
4 PLACES ± 0.2				CHK'D: YNUKANOBU 2023/01/23				PRODUCT CUSTOMER DRAWING				
3 PLACES ± 0.2				APPR: YNAITO 2023/01/23								
2 PLACES ± 0.2				INITIAL REVISION:				DOCUMENT NUMBER		DOC TYPE	DOC PART	REVISION
1 PLACE ± 0.2				DRWN: NARENC 2022/05/16				512810000-SD		PSD	000	B
0 PLACES ± 0.2				APPR: YNAITO 2022/05/30				MATERIAL NUMBER		CUSTOMER		SHEET NUMBER
DRAFT WHERE APPLICABLE MUST REMAIN WITHIN DIMENSIONS				THIRD ANGLE PROJECTION		DRAWING	SERIES	SEE TABLE		GENERAL MARKET		
				A3-SIZE		51281					2 OF 4	

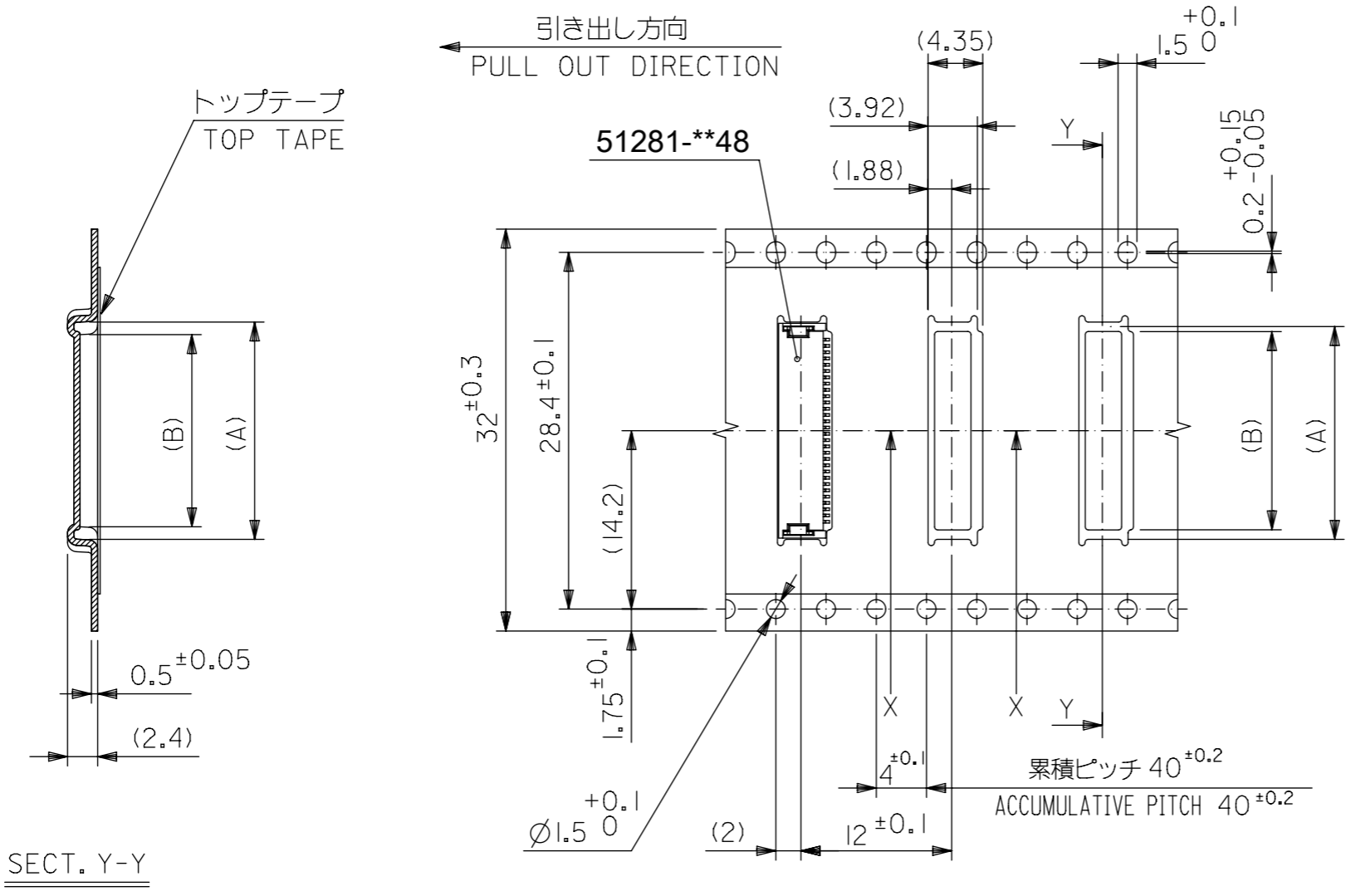


24mm幅キャリアテープ  
24mm WIDTH CARRIER TAPE

24	29.4	25.4	12.3	14.3	51281-2498	24		
			11.3	13.3	51281-2298	22		
			10.3	12.3	51281-2098	20		
			9.3	11.3	51281-1898	18		
			8.3	10.3	51281-1698	16		
			7.3	9.3	51281-1498	14		
			6.3	8.3	51281-1298	12		
			5.8	7.8	51281-1198	11		
			5.3	7.3	51281-1098	10		
4.8	6.8	51281-0998	9					
キャリアテープ幅 CARRIER TAPE WIDTH			D	C	(B)	(A)	製品番号 MATERIAL No.	極数 CIRCUIT

THIS DRAWING CONTAINS INFORMATION THAT IS PROPRIETARY TO MOLEX ELECTRONIC TECHNOLOGIES, LLC AND SHOULD NOT BE USED WITHOUT WRITTEN PERMISSION

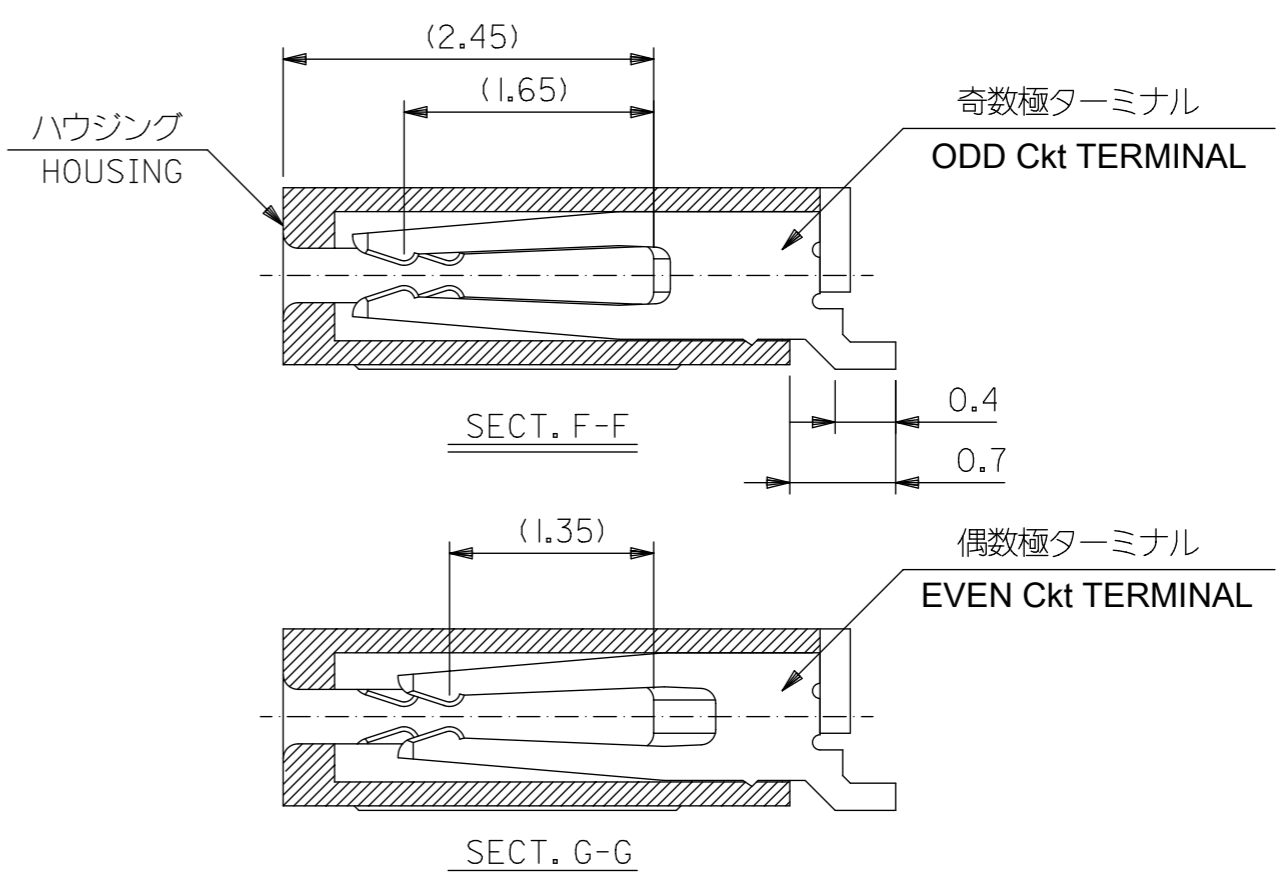
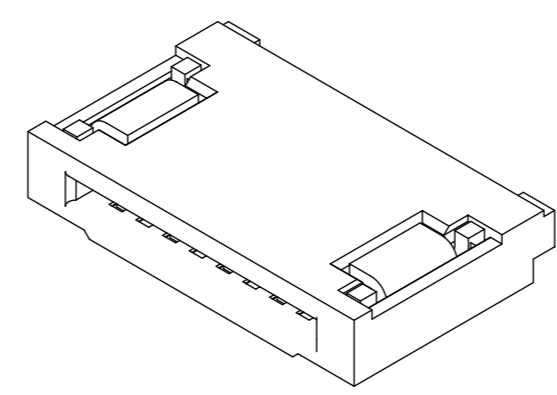
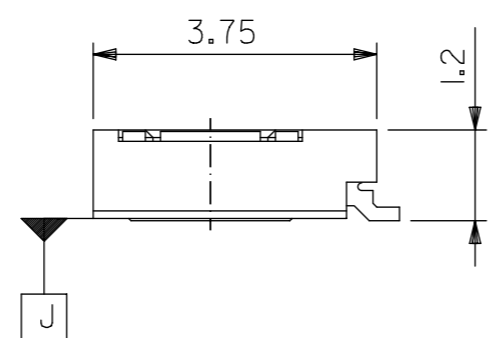
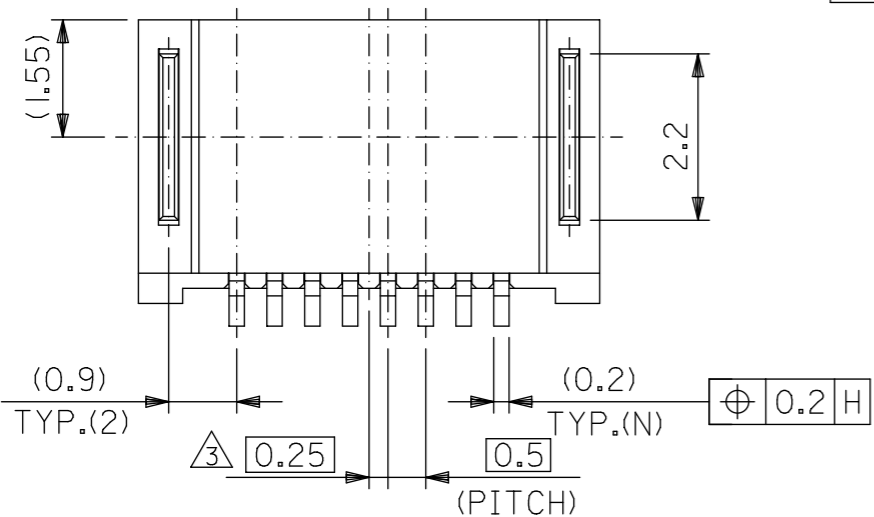
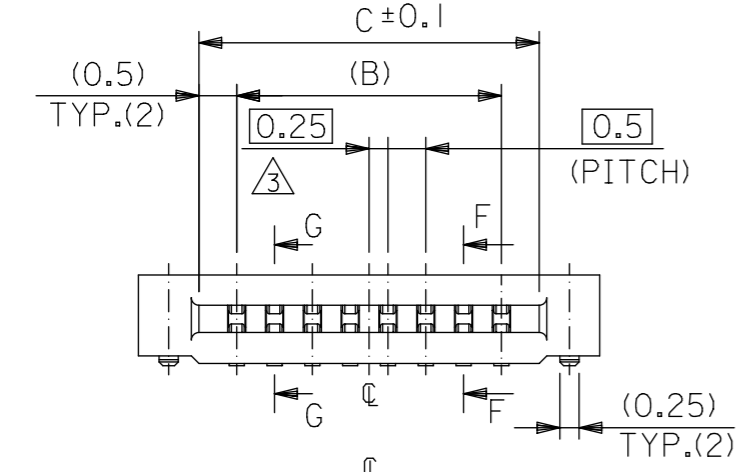
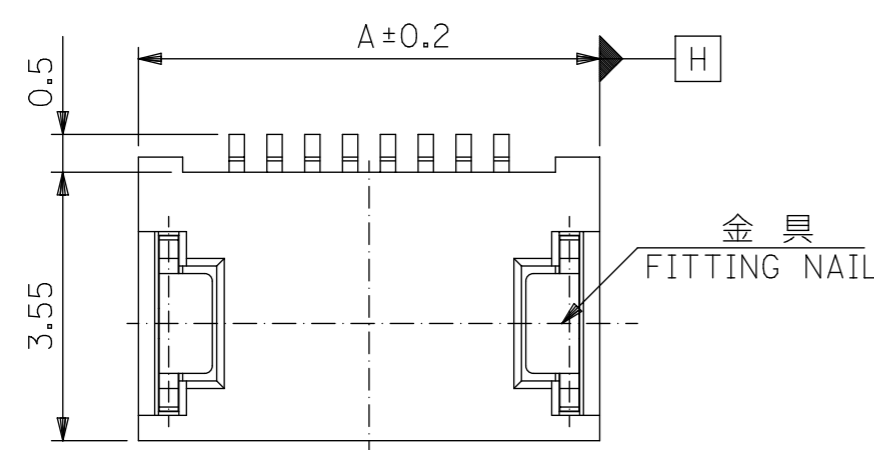
DIMENSION UNITS <b>mm</b>	SCALE <b>NTS</b>	CURRENT REV DESC:		<b>molex</b>			
GENERAL TOLERANCES (UNLESS SPECIFIED)		EC NO: 735884					
ANGULAR TOL ± 3.0°	4 PLACES ± 0.2	DRWN: NARENC	2023/01/23	PRODUCT CUSTOMER DRAWING			
3 PLACES ± 0.2	3 PLACES ± 0.2	CHK'D: YNUKANOBU	2023/01/23	DOCUMENT NUMBER			
2 PLACES ± 0.2	2 PLACES ± 0.2	APPR: YNAITO	2023/01/23	512810000-SD			
1 PLACE ± 0.2	1 PLACE ± 0.2	INITIAL REVISION:		DOC TYPE	DOC PART	REVISION	
0 PLACES ± 0.2	DRWN: NARENC	2022/05/16	2022/05/30	PSD	000	B	
DRAFT WHERE APPLICABLE MUST REMAIN WITHIN DIMENSIONS	THIRD ANGLE PROJECTION	DRAWING	SERIES	MATERIAL NUMBER	CUSTOMER	SHEET NUMBER	
		A3-SIZE	51281	SEE TABLE	GENERAL MARKET	3 OF 4	



32mm幅キャリアテープ  
32mm WIDTH CARRIER TAPE

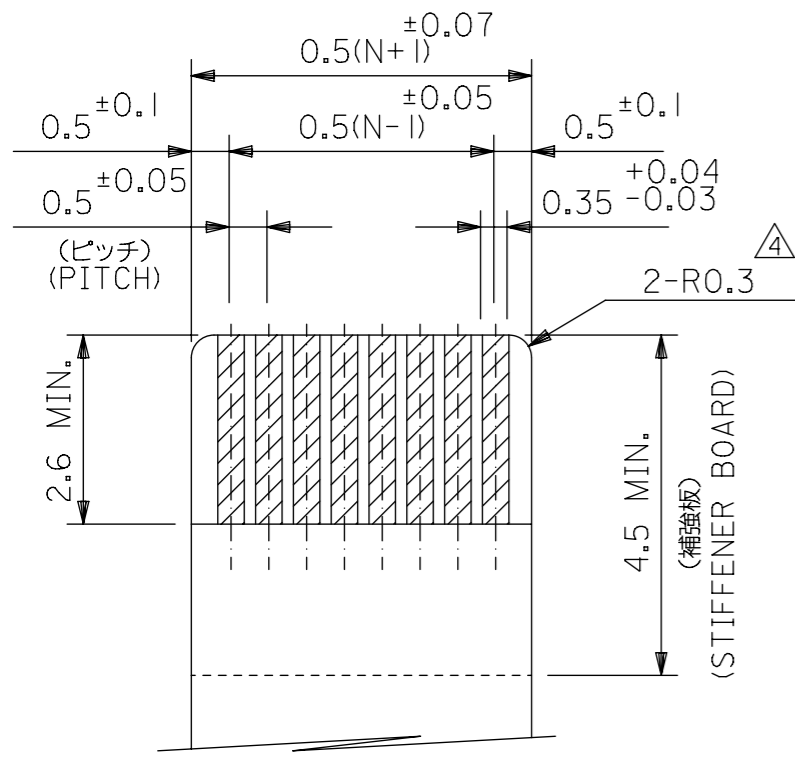
32	37.4	33.4	13.3	15.3	51281-2698	26
キャリアテープ幅 CARRIER TAPE WIDTH	D	C	(B)	(A)	製品番号 MATERIAL No.	極数 CIRCUIT

DIMENSION UNITS		SCALE		CURRENT REV DESC:				<b>molex</b>				
mm		NTS										
GENERAL TOLERANCES (UNLESS SPECIFIED)				EC NO: 735884				0.5 FPC CONN NON-ZIF (HGT=1.2MM) EMBSTP PKG				
ANGULAR TOL ± 3.0°				DRWN: NARENC 2023/01/23								
4 PLACES ± 0.2				CHK'D: YNUKANOBU 2023/01/23				PRODUCT CUSTOMER DRAWING				
3 PLACES ± 0.2				APPR: YNAITO 2023/01/23								
2 PLACES ± 0.2				INITIAL REVISION:				DOCUMENT NUMBER		DOC TYPE	DOC PART	REVISION
1 PLACE ± 0.2				DRWN: NARENC 2022/05/16				512810000-SD		PSD	000	B
0 PLACES ± 0.2				APPR: YNAITO 2022/05/30				MATERIAL NUMBER		CUSTOMER		SHEET NUMBER
DRAFT WHERE APPLICABLE MUST REMAIN WITHIN DIMENSIONS				THIRD ANGLE PROJECTION		DRAWING	SERIES	SEE TABLE	GENERAL MARKET		4 OF 4	

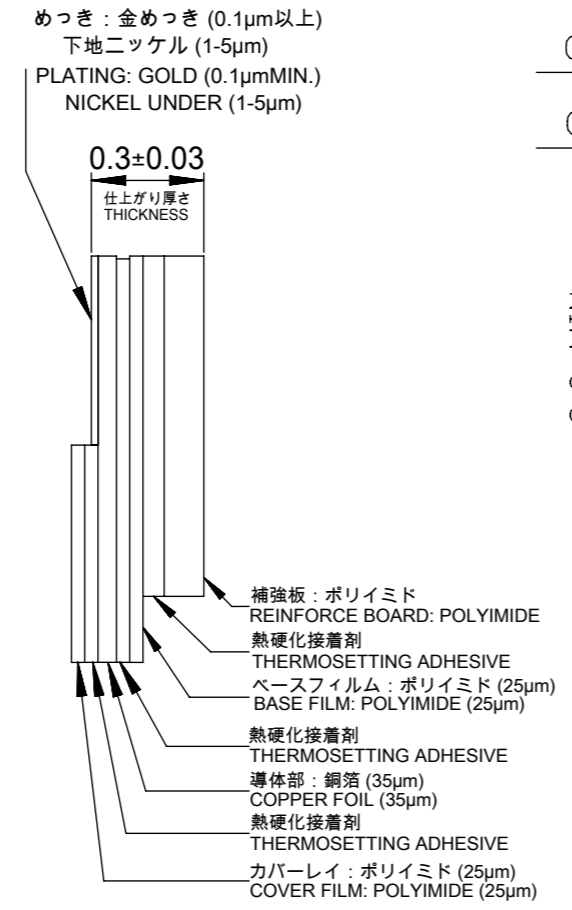


13.5	12.5	15.1	51281-2698	26
12.5	11.5	14.1	51281-2498	24
11.5	10.5	13.1	51281-2298	22
10.5	9.5	12.1	51281-2098	20
9.5	8.5	11.1	51281-1898	18
8.5	7.5	10.1	51281-1698	16
7.5	6.5	9.1	51281-1498	14
6.5	5.5	8.1	51281-1298	12
6.0	5.0	7.6	51281-1198	11
5.5	4.5	7.1	51281-1098	10
5.0	4.0	6.6	51281-0998	9
4.5	3.5	6.1	51281-0898	8
4.0	3.0	5.6	51281-0798	7
3.5	2.5	5.1	51281-0698	6
3.0	2.0	4.6	51281-0598	5
C	B	A	EMBOSSED TAPE	CIRCUIT
			ORDER No. オーダー番号	
CONNECTOR SERIES NO. : 51281-**48				

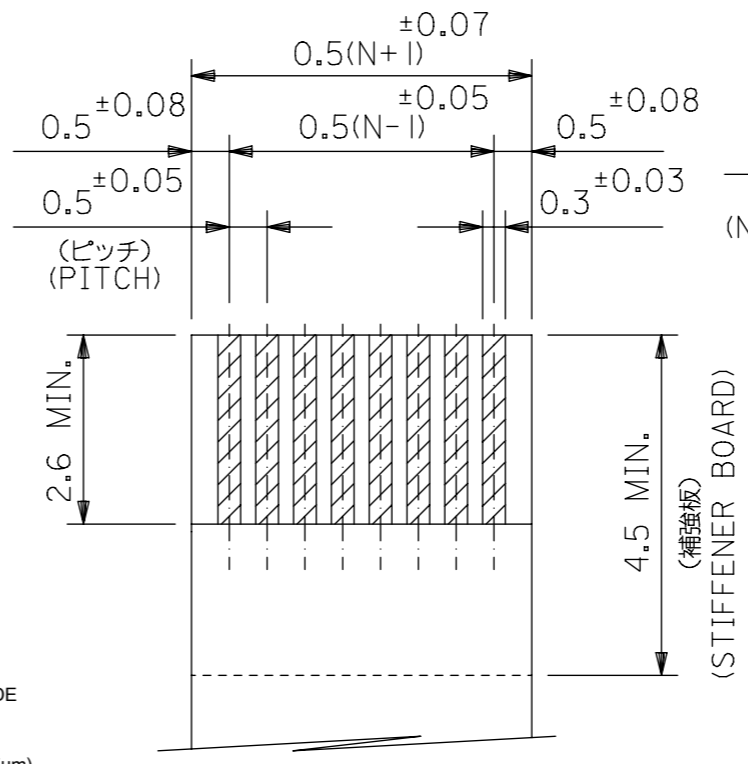
THIS DRAWING CONTAINS INFORMATION THAT IS PROPRIETARY TO MOLEX ELECTRONIC TECHNOLOGIES, LLC AND SHOULD NOT BE USED WITHOUT WRITTEN PERMISSION		CURRENT REV DESC:		<b>molex</b>		
DIMENSION UNITS	SCALE					
mm	NTS			PRODUCT CUSTOMER DRAWING		
GENERAL TOLERANCES (UNLESS SPECIFIED)		EC NO: 736421		DOCUMENT NUMBER		
ANGULAR TOL ± 3.0°		DRWN: NARENC 2023/01/27		512811000-SD		
4 PLACES ± 0.2		CHK'D: YNUKANOBU 2023/01/30		DOC TYPE DOC PART REVISION		
3 PLACES ± 0.2		APPR: YNAITO 2023/01/30		PSD 000 B		
2 PLACES ± 0.2		INITIAL REVISION:		MATERIAL NUMBER		
1 PLACE ± 0.2		DRWN: NARENC 2022/05/17		CUSTOMER		
0 PLACES ± 0.2		APPR: YNAITO 2022/05/30		GENERAL MARKET		
DRAFT WHERE APPLICABLE MUST REMAIN WITHIN DIMENSIONS		THIRD ANGLE PROJECTION	DRAWING	SERIES	SHEET NUMBER	
			A3-SIZE	51281	1 OF 2	



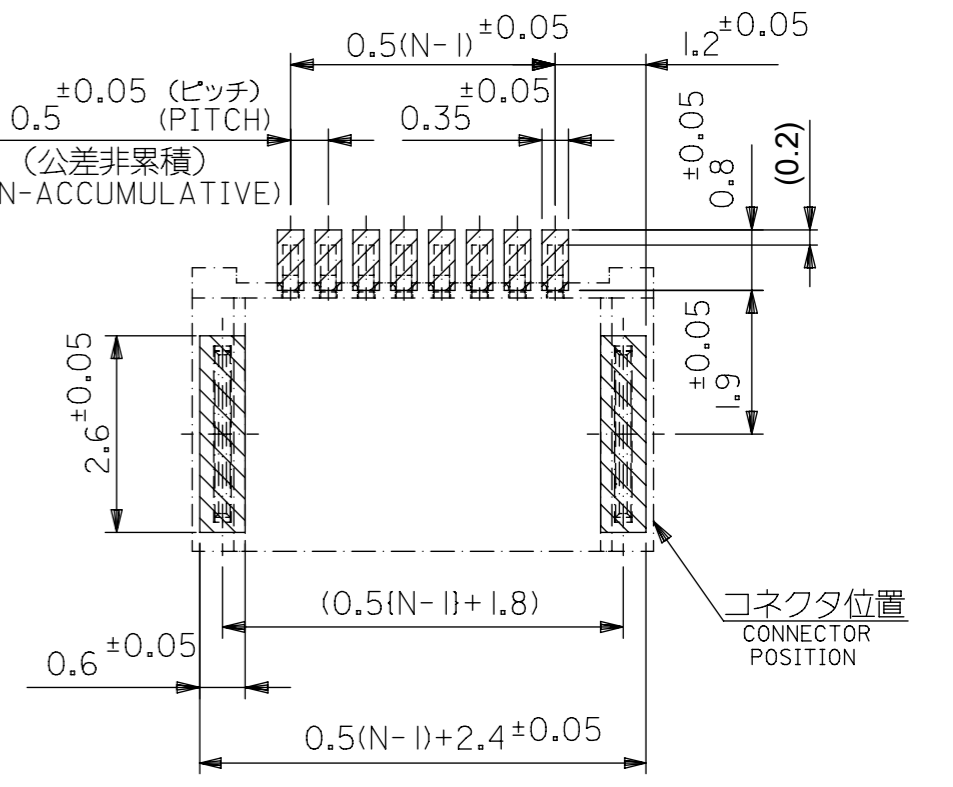
適合FPC推奨寸法  
APPLICABLE FPC  
RECOMMENDED DIMENSION  
(仕上がり厚さ: 0.3 ± 0.03)  
(THICKNESS: 0.3 ± 0.03)



FPC構成推奨仕様  
STRUCTURE OF FPC



適合FFC推奨寸法  
APPLICABLE FFC  
RECOMMENDED DIMENSION  
(仕上がり厚さ: 0.3 ± 0.03)  
(THICKNESS: 0.3 ± 0.03)



参考基板レイアウト図  
RECOMMENDED P.C.BOARD LAYOUT  
(マウント面)  
(MOUNTING SIDE)

注記 NOTES

1. 使用材料 MATERIAL  
ハウジング: 液体ポリマー ガラス充填 UL94V-0  
HOUSING: LIQUID CRYSTAL POLYMER (GRASS FILLED) UL94-0  
ターミナル: リン青銅 (t=0.2), ニッケル下地, コンタクト部: 金メッキ, テール部: 錫メッキ  
TERMINAL: PHOSPHOR-BRONZE, CONTACT: GOLD, TAIL: TIN, OVER NICKEL PLATING  
金具: リン青銅 (t=0.25), ニッケル下地 純錫メッキ
2. FITTING NAIL: PHOSPHOR-BRONZE, PURE-TIN OVER NICKEL PLATING  
ソルダーテール半田付け面のズレ量、及び金具半田付け面のズレ量は、基準面 J に対し、  
上方向 0.1 MAXIMUM 下方向 0.15 MAXIMUMとする。  
又、相互のバラツキ量は 0.1 MAXIMUMとする。  
MISALIGNMENT OF SOLDER TAILS AND FITTING NAILS FROM J  
UPPER DIRECTION; 0.1 MAXIMUM, LOWER DIRECTION; 0.15 MAXIMUM.  
OFFSET BETWEEN SOLDER TAILS AND FITTING NAILS; 0.1 MAXIMUM.
3. 偶数極に適用  
TO BE APPLIED ONLY WHEN ALL CIRCUITS ARE EVEN.
4. R0.3は、FPCの導体部にかからないこと。  
R0.3 MUST NOT BE OVERLAPPED TO PATTERN OF FPC.
5. FPC/FFCについて:  
打抜き方向は導体側から補強版側を推奨いたします。  
導体部については軟銅箔35µmまたは50µm  
メッキ厚0.1 µm以上金メッキ(電気メッキ)を推奨いたします。  
RECOMMENDED PUNCH DIRECTION:  
FROM CONDUCTOR SIDE TO STIFFENER BOARD SIDE.  
RECOMMENDED CONDUCTOR SPEC:  
THICKNESS OF SOFT COPPER FOIL: 35 µm or 50 µm  
GOLD PLATING: 0.1 µm MIN. (ELECTRICAL PLATING)

6. 本製品は51281-\*\*20の鉛フリー品である。  
THIS PRODUCT IS LEAD FREE OF 51281-\*\*20.
7. ソルダーテールの平坦度は、0.1 MAXIMUMとする。  
SOLDER TAIL COPLANARITY IS 0.1 MAXIMUM.

THIS DRAWING CONTAINS INFORMATION THAT IS PROPRIETARY TO MOLEX ELECTRONIC TECHNOLOGIES, LLC AND SHOULD NOT BE USED WITHOUT WRITTEN PERMISSION		CURRENT REV DESC:		<b>molex</b>			
DIMENSION UNITS	SCALE						
mm	NTS			PRODUCT CUSTOMER DRAWING			
GENERAL TOLERANCES (UNLESS SPECIFIED)		EC NO: 736421		DOCUMENT NUMBER			
ANGULAR TOL ± 3.0°		DRWN: NARENC 2023/01/27		512811000-SD			
4 PLACES ± 0.2		CHK'D: YNUKANOBU 2023/01/30		DOC TYPE DOC PART REVISION			
3 PLACES ± 0.2		APPR: YNAITO 2023/01/30		PSD 000 B			
2 PLACES ± 0.2		INITIAL REVISION:		MATERIAL NUMBER CUSTOMER			
1 PLACE ± 0.2		DRWN: NARENC 2022/05/17		SEE SHEET 1 GENERAL MARKET			
0 PLACES ± 0.2		APPR: YNAITO 2022/05/30		SHEET NUMBER			
DRAFT WHERE APPLICABLE MUST REMAIN WITHIN DIMENSIONS		THIRD ANGLE PROJECTION	DRAWING	SERIES	MATERIAL NUMBER	CUSTOMER	SHEET NUMBER
			A3-SIZE	51281	SEE SHEET 1	GENERAL MARKET	2 OF 2