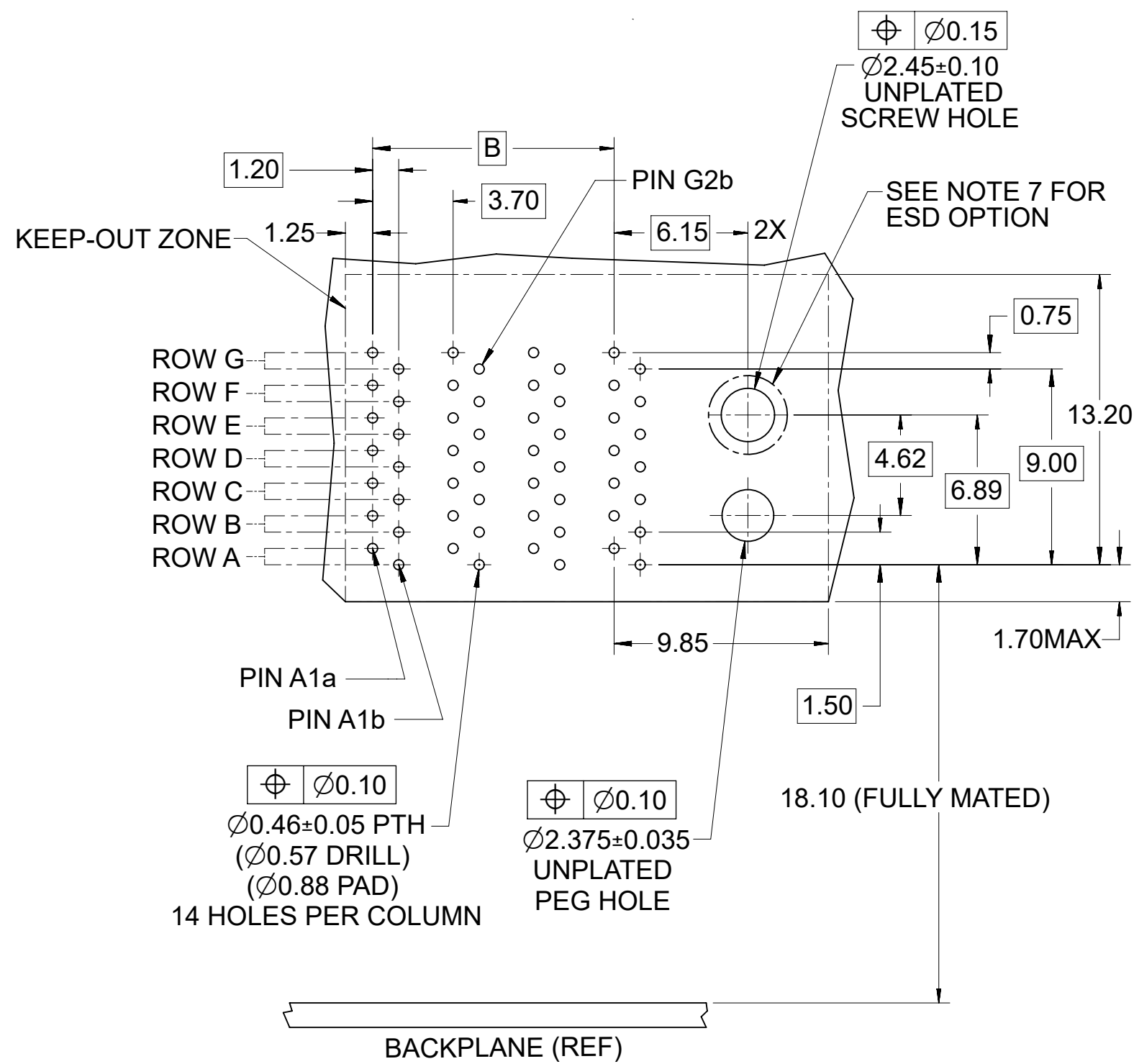
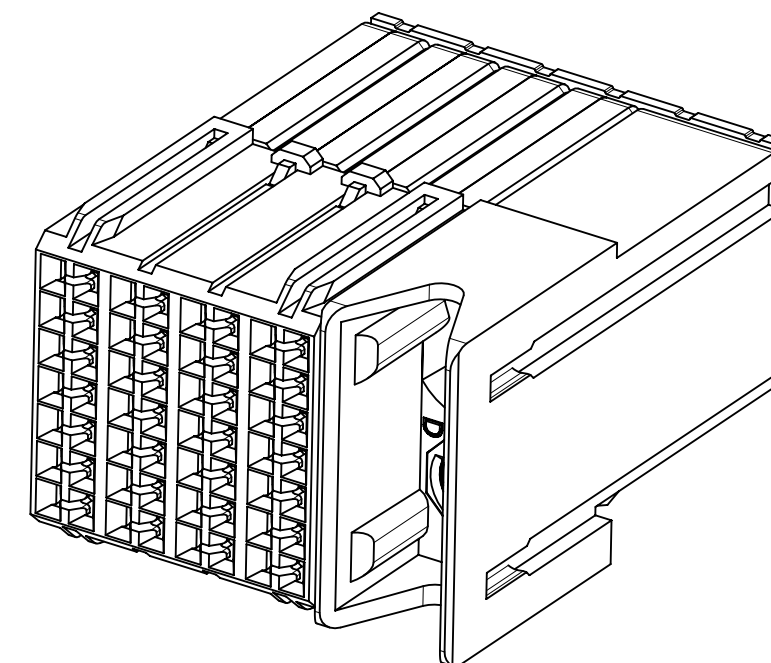
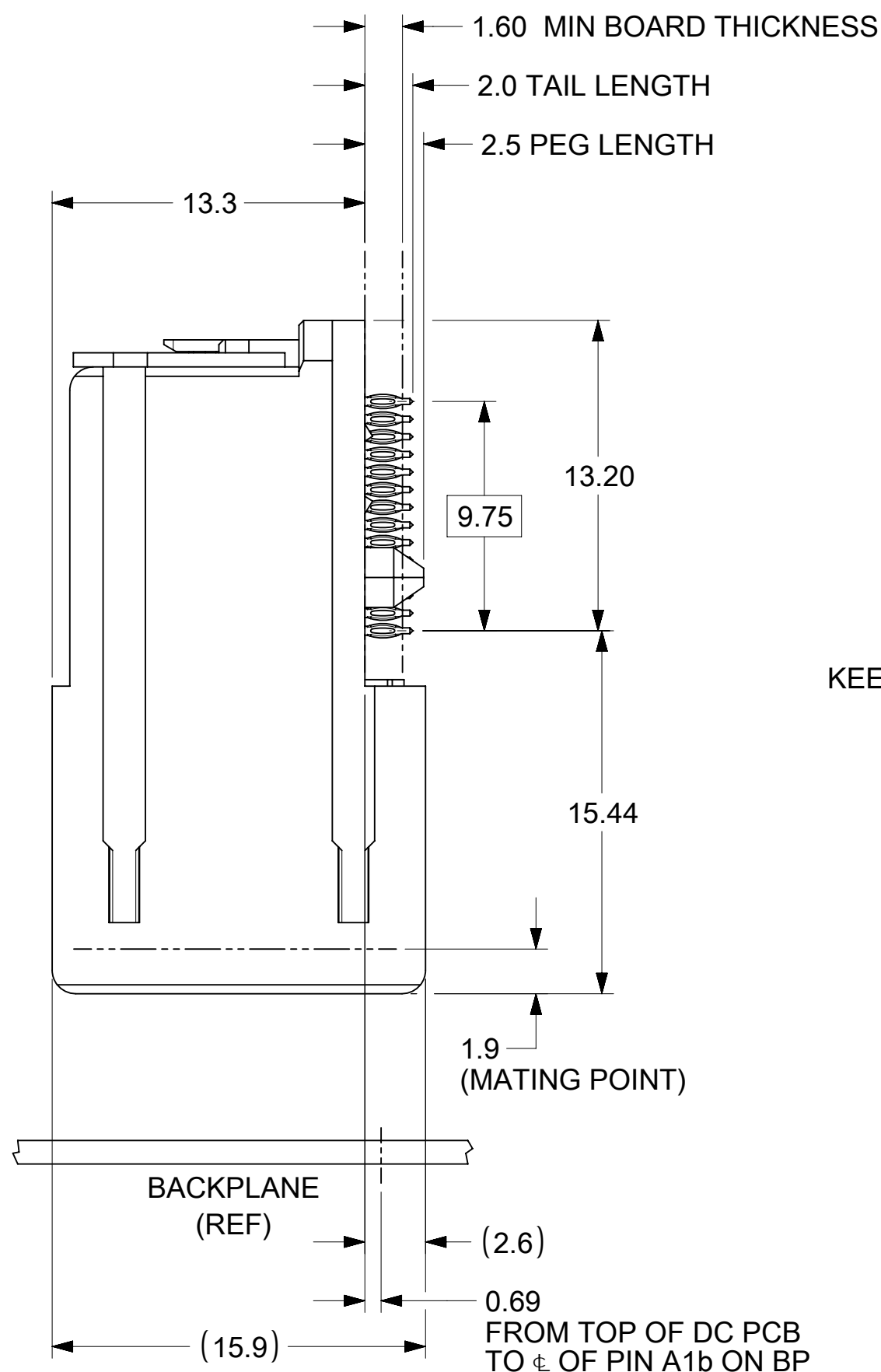


KEY SHOWN IN POSITION "E"



## DAUGHTERCARD HOLE PATTERN (CONNECTOR SIDE)

### NOTES:

1. MATERIALS: HOUSING - LIQUID CRYSTAL POLYMER (LCP)GLASS-FILLED, UL 94V-0  
TERMINALS - HIGH PERFORMANCE COPPER ALLOY
2. FINISH: SELECTIVE GOLD (Au) IN CONTACT AREA,  
SELECTIVE MATTE TIN (Sn) IN TAIL AREA;  
NICKEL (Ni) UNDERPLATE OVERALL.
3. REFER TO MOLEX PRODUCT SPECIFICATION PS-75710-999 FOR PERFORMANCE SPECS.
4. PRODUCT IS PACKAGED PER PK-70873-607.
5. THIS PART CONFORMS TO CLASS B REQUIREMENTS OF COSMETIC SPEC PS-45499-002.
6. GUIDED PARTS TO BE SHIPPED WITH 2-32 TYPE AB  
SELF-TAPPING SCREW P/N 73726-0005.
7. FOR GROUNDED GUIDE MODULES USE DIA 2.45+/-0.10 (PTH), DIA 2.58 (DRILL),  
AND DIA 4.50 (PAD).
8. MAPS (MOLEX ADVANCED PLATING SYSTEM).

THIS DRAWING CONTAINS INFORMATION THAT IS PROPRIETARY TO MOLEX ELECTRONIC TECHNOLOGIES, LLC AND SHOULD NOT BE USED WITHOUT WRITTEN PERMISSION

DIMENSION UNITS	SCALE	CURRENT REV DESC: REMASTERED TO NX						
mm	NTS							
GENERAL TOLERANCES (UNLESS SPECIFIED)		EC NO: 671119		I-TRAC DAUGHTERCARD 7 ROW GUIDE RIGHT SIGNAL MODULE				
ANGULAR TOL	± 0.5°	DRWN: YOGEEB 2021/06/17		PRODUCT CUSTOMER DRAWING				
4 PLACES	±	CHK'D: VINODM3 2022/01/31		DOCUMENT NUMBER				
3 PLACES	±	APPR: CWANG25 2022/02/18		SD-76020-004		DOC TYPE	DOC PART	REVISION
2 PLACES	± 0.13	INITIAL REVISION:		PSD		001	C1	
1 PLACE	± 0.25	DRWN: BPISZCZOR 2007/03/19		MATERIAL NUMBER		CUSTOMER		SHEET NUMBER
0 PLACES	±	APPR: JLAURX 2007/03/19		SEE TABLE		GENERAL MARKET		1 OF 2
DRAFT WHERE APPLICABLE MUST REMAIN WITHIN DIMENSIONS		THIRD ANGLE PROJECTION		DRAWING		SERIES		
				C-SIZE		76020		

MATERIAL NUMBER	# OF COLUMNS	DIM. "A" MAX.	DIM. "B"
76020-***4	4	22.20	11.10
76020-***6	6	29.60	18.50
76020-***0	10	44.40	33.30

76020-\*\*\*

MODULE STYLE AND TAIL PLATING TYPE  
 4 = GUIDE RIGHT, MATTE TIN (FORMERLY TIN/LEAD)  
 5 = GUIDE RIGHT, MATTE TIN

POLARIZATION KEY ORIENTATION  
 0 = NO KEY  
 1 = A  
 2 = B  
 3 = C  
 4 = D  
 5 = E  
 6 = F  
 7 = G  
 8 = H

# OF COLUMNS/PLATING  
 04 = 4 COL 30 GOLD  
 06 = 6 COL 30 GOLD  
 10 = 10 COL 30 GOLD  
 44 = 4 COL 10 GOLD (MAPS)  
 46 = 6 COL 10 GOLD (MAPS)  
 40 = 10 COL 10 GOLD (MAPS)  
 54 = 4 COL W/ESD CLIP 30 GOLD  
 56 = 6 COL W/ESD CLIP 30 GOLD  
 50 = 10 COL W/ESD CLIP 30 GOLD  
 74 = 4 COL W/ESD CLIP 10 GOLD (MAPS)  
 76 = 6 COL W/ESD CLIP 10 GOLD (MAPS)  
 70 = 10 COL W/ESD CLIP 10 GOLD (MAPS)

THIS DRAWING CONTAINS INFORMATION THAT IS PROPRIETARY TO MOLEX ELECTRONIC TECHNOLOGIES, LLC AND SHOULD NOT BE USED WITHOUT WRITTEN PERMISSION											
DIMENSION UNITS		SCALE		CURRENT REV DESC: REMASTERED TO NX				<b>molex</b>			
mm		NTS									
GENERAL TOLERANCES (UNLESS SPECIFIED)				EC NO: 671119 DRWN: YOGEEB 2021/06/17 CHK'D: VINODM3 2022/01/31 APPR: CWANG25 2022/02/18 INITIAL REVISION: DRWN: BPISZCZOR 2007/03/19 APPR: JLAURX 2007/03/19				I-TRAC DAUGHTERCARD 7 ROW GUIDE RIGHT SIGNAL MODULE			
ANGULAR TOL		± 0.5°						PRODUCT CUSTOMER DRAWING			
4 PLACES		±						DOCUMENT NUMBER		SD-76020-004	
3 PLACES		±						DOC TYPE		PSD	
2 PLACES		± 0.13						DOC PART		001	
1 PLACE		± 0.25		REVISION		C1					
0 PLACES		±		MATERIAL NUMBER		SEE TABLE					
DRAFT WHERE APPLICABLE MUST REMAIN WITHIN DIMENSIONS		THIRD ANGLE PROJECTION		DRAWING		SERIES		CUSTOMER			
				C-SIZE		76020		GENERAL MARKET			
DOCUMENT STATUS		P1		RELEASE DATE		2022/02/18 05:04:24		SHEET NUMBER			
12		11		10		9		8			
7		6		5		4		3			
2		1									