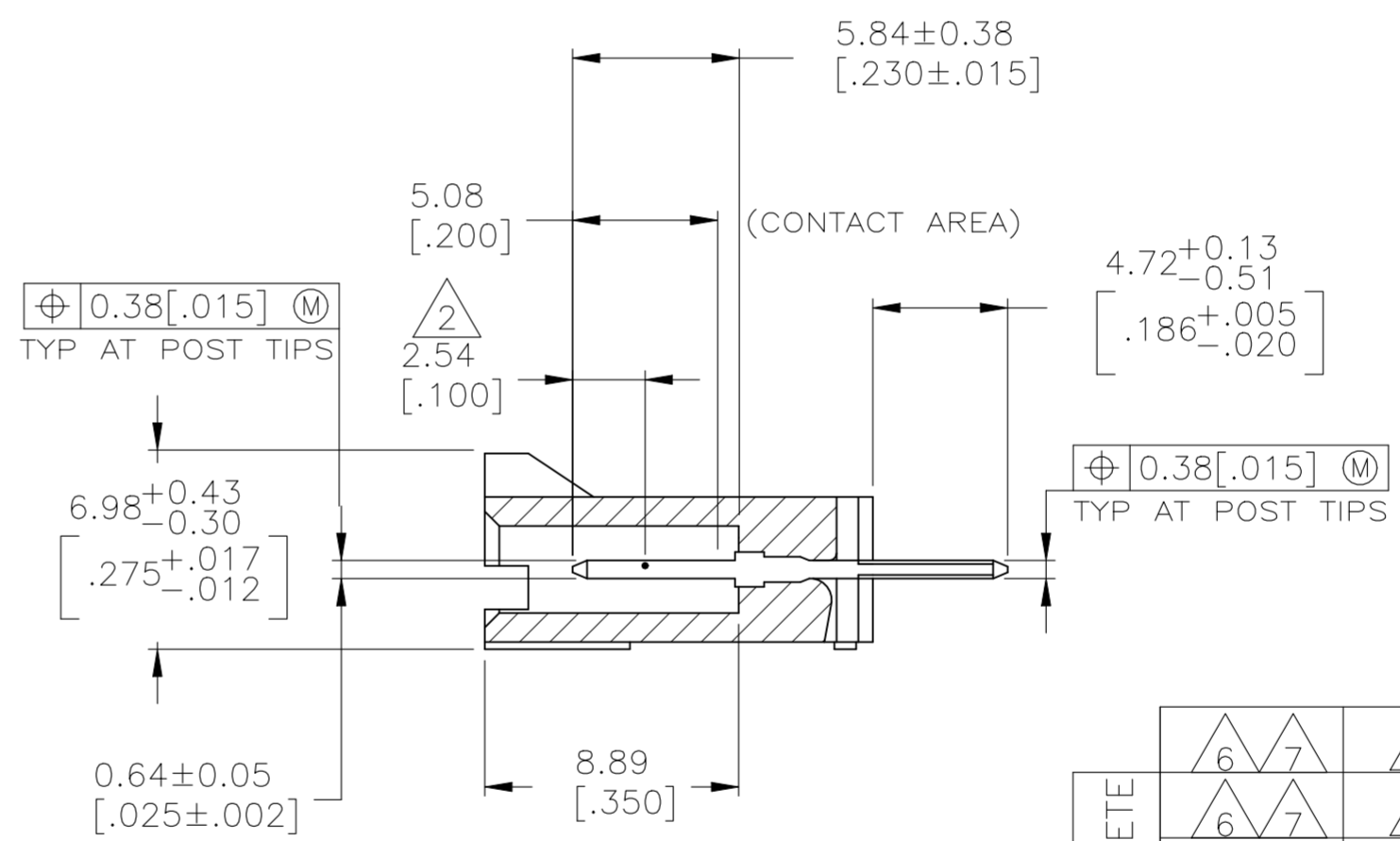
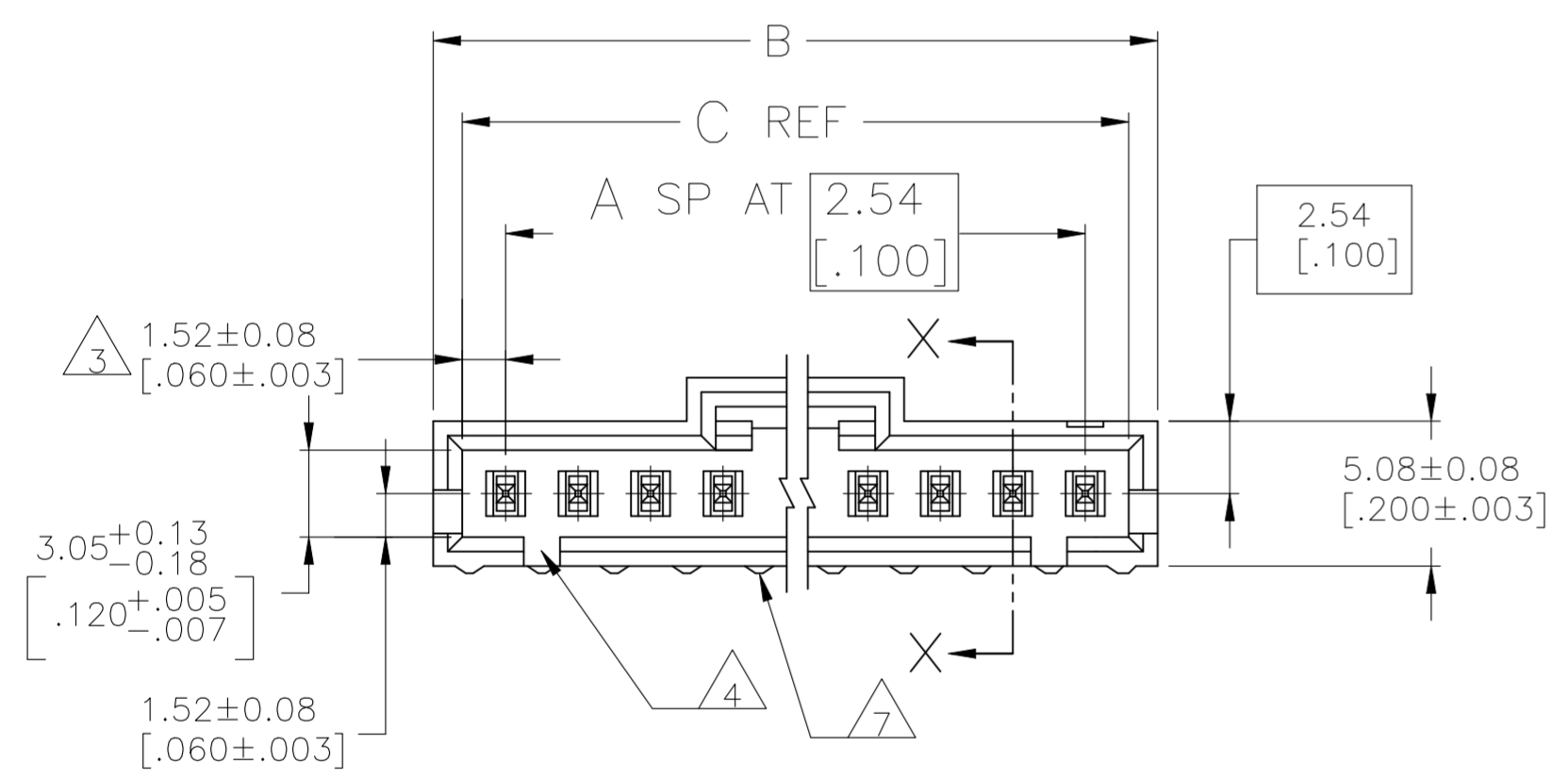
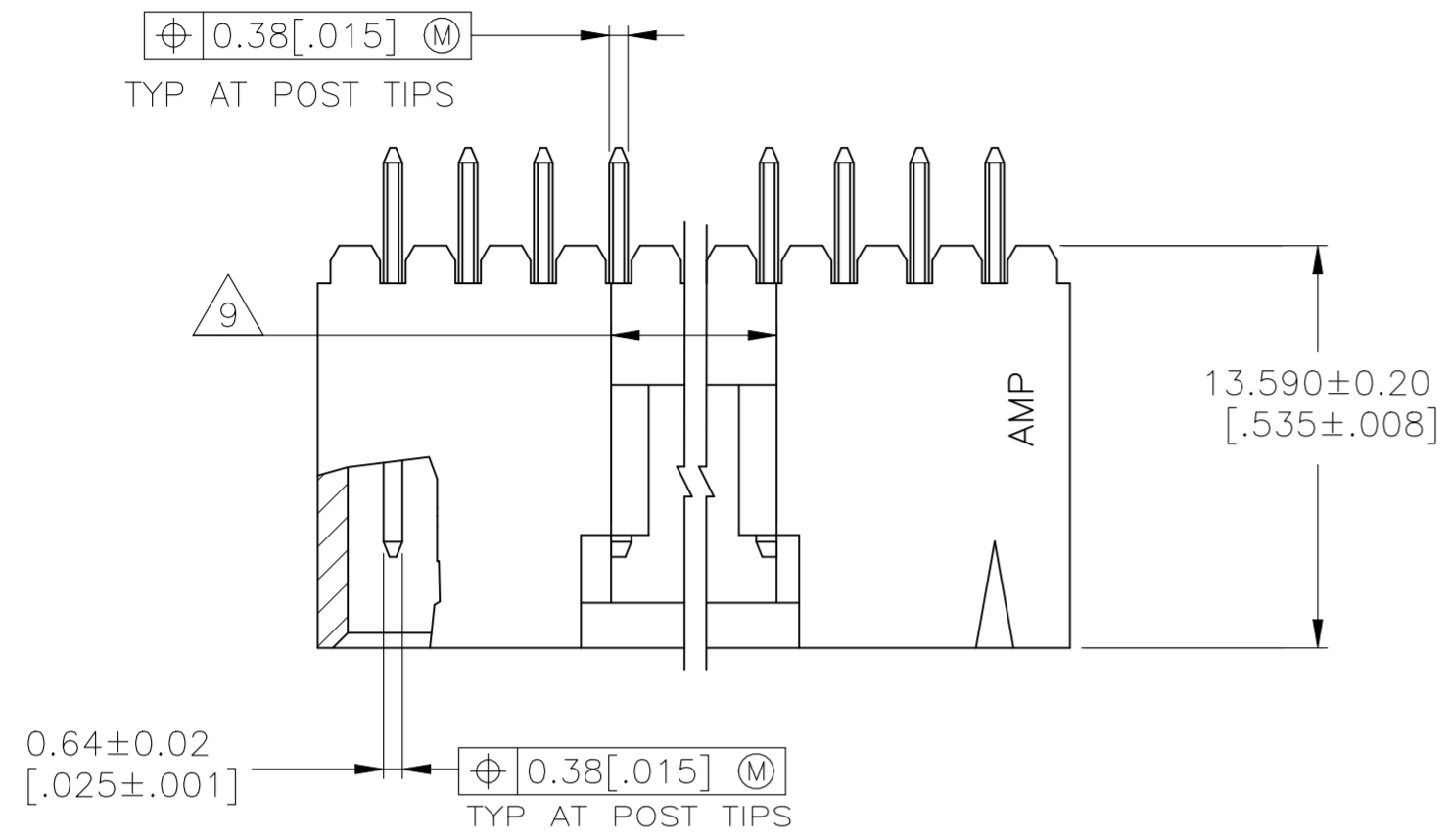
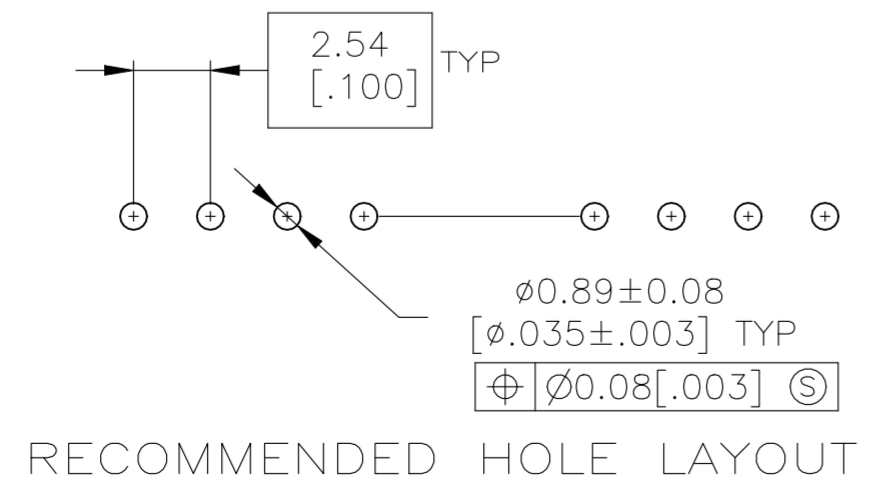


REVISIONS					
P	LTR	DESCRIPTION	DATE	DWN	APVD
K		REVISED PER ECO-20-001327	05JUN2020	SB	JO

- 1 .00254[.000100] BRIGHT TIN-LEAD OVER  
.00127[.000050] NICKEL.
- 2 POINT OF MEASUREMENT FOR PLATING THICKNESS.
- 3 THE NOTED DIMENSIONS APPLY AT THE INTERSECTION OF THE POST AND THE HOUSING.
- 4 ON ASSEMBLIES WITH FOUR OR MORE POSITIONS, TWO POLARIZATION SLOTS.  
ON ASSEMBLIES WITH TWO OR THREE POSITIONS, ONE POLARIZATION SLOT.
- 5 .00254[.000100] MATTE TIN OVER  
.00127[.000050] NICKEL.
- 6 HIGH TEMPERATURE CONFIGURATION.
- 7 STANDOFF NOT PRESENT ON UNDERSIDE OF ASSEMBLY
- 8 OBSOLETE PARTS: OBSOLETE CIS STREAMLINING PER D.RENAUD/D.SINISI
- 9 0.25 [.010] RECESS PERMISSIBLE IN THIS AREA FOR MOLD SHUT OFF



	6	7	5	15.75 [.620]	17.65 [.695]	5	6	5-104904-4
OBSOLETE	6	7	5	10.67 [.420]	12.57 [.495]	3	4	5-104904-3
	6	7	5	8.13 [.320]	10.03 [.395]	2	3	5-104904-2
	6	7	5	5.59 [.220]	7.49 [.295]	1	2	5-104904-1
	6	1	1	15.75 [.620]	17.65 [.695]	5	6	104904-4
OBSOLETE	6	1	1	10.67 [.420]	12.57 [.495]	3	4	104904-3
	6	1	1	8.13 [.320]	10.03 [.395]	2	3	104904-2
	6	1	1	5.59 [.220]	7.49 [.295]	1	2	104904-1
	6	1	1					
REMARKS	PLATING	C	B	A	NO. OF POSN	PART NO.		



THIS DRAWING IS A CONTROLLED DOCUMENT.

DIMENSIONS: mm [INCHES]	TOLERANCES UNLESS OTHERWISE SPECIFIED: 0 PLC ± - 1 PLC ± - 2 PLC ± 0.13[.005] 3 PLC ± - 4 PLC ± - ANGLES ± -	FINISH SEE TABLE	DWN J.HERRINGTON 12-10-93	CHK J.GESFORD 12-10-93	APVD J.GESFORD 12-10-93	NAME J.GESFORD	PRODUCT SPEC 108-25034	APPLICATION SPEC 114-25026	WEIGHT -	SCALE A2	CAGE CODE 00779	DRAWING NO C=104904	RESTRICTED TO -
----------------------------	--	---------------------	------------------------------	---------------------------	----------------------------	-------------------	---------------------------	-------------------------------	-------------	-------------	--------------------	------------------------	--------------------

TE Connectivity

HDR ASSY,VERT,SINGLE ROW  
2.54[.100]CL,0.64[.025]SQPOST.  
WITH PLZN&LATCHING, AMPMODU MTE

CUSTOMER DRAWING SCALE 4:1 SHEET 1 OF 1 REV K