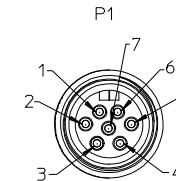
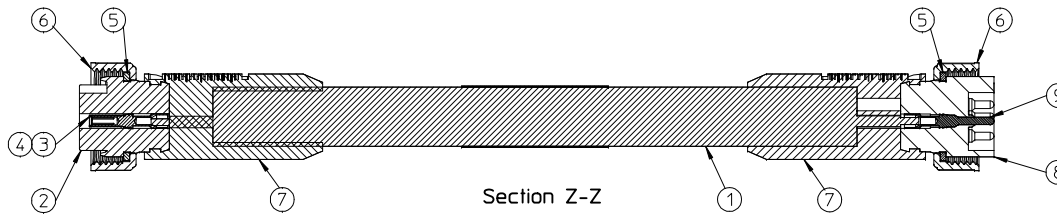
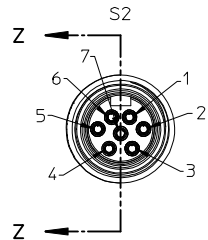
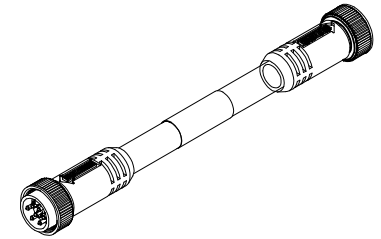
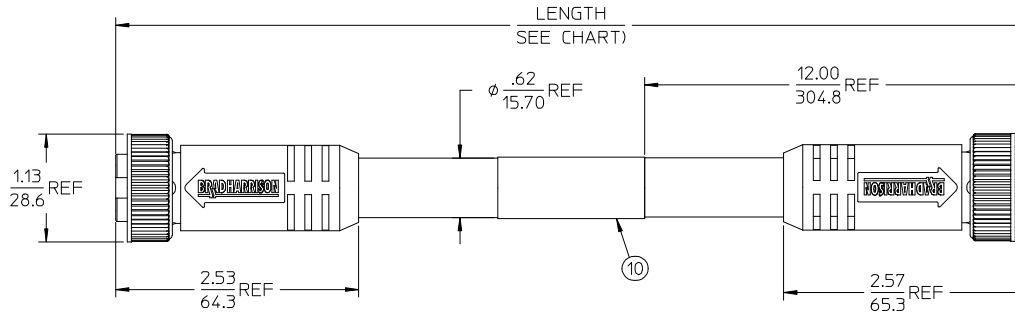


PART NUMBER	ENGINEERING NO.	LENGTH
1300110051	227020A01F060	6' 0" +2.19 - 0 [1.8M +55.6 - 0]
1300110055	227020A01F120	12' 0" +3.50 - 0 [3.7M +88.9 - 0]
1300110057	227020A01F200	20' 0" +6.50 - 0 [6.1M +165.1 - 0]



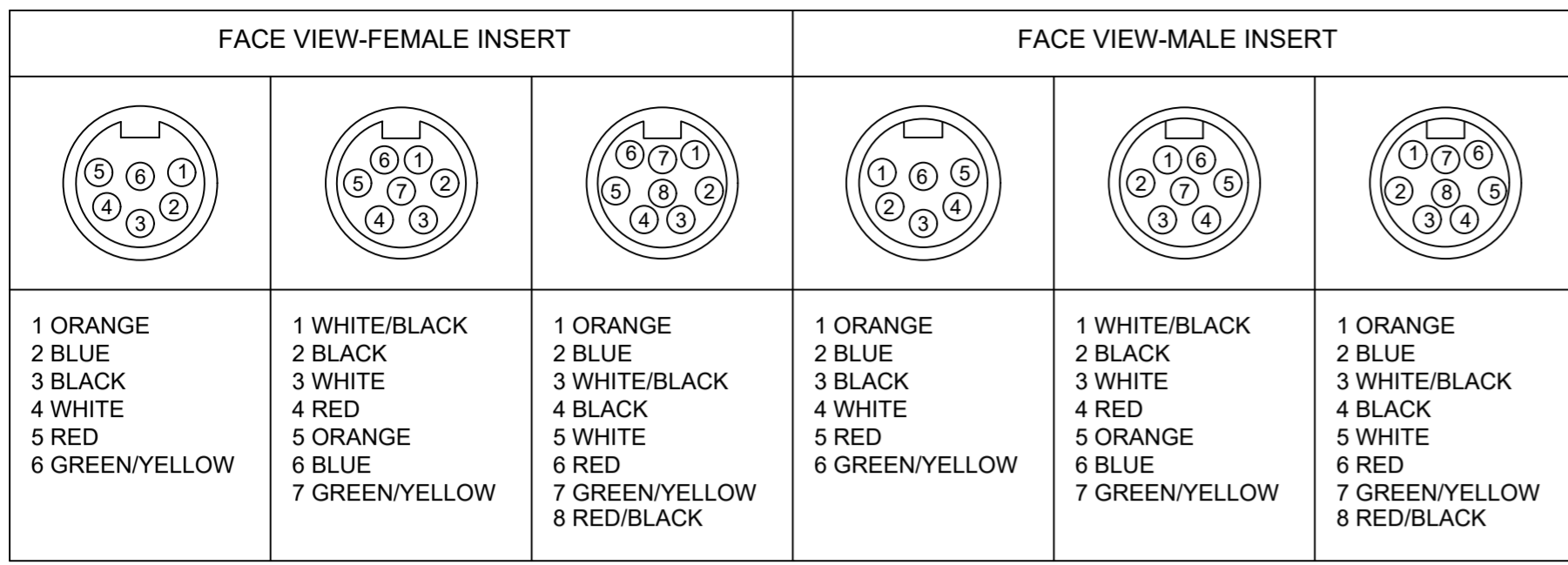
- NOTES:
- MATERIAL: SEE TABLE
 - FINISHES: SEE TABLE
 - CABLE ASSEMBLIES ARE BAGGED SEPERATELY IN POLY BAGS WITH BARCODE LABEL ATTACHED TO OUTSIDE OF BAG
 - WRAP LABEL IS MARKED WITH P/N, DATE CODE VOLTAGE & AMPERAGE
 - MATES WITH: MINI CHANGE, C-SIZE 7 POLE RECEPTACLE
 - ELECTRICAL SPECIFICATIONS:
VOLTAGE RATING: 600V
CURRENT RATING: 8 AMPS
 - ASSEMBLY IS RoHS COMPLIANT

S2		P1
1	WHITE/BLACK	1
2	BLACK	2
3	WHITE	3
4	RED	4
5	ORANGE	5
6	BLUE	6
7	GREEN/YELLOW-GND	7

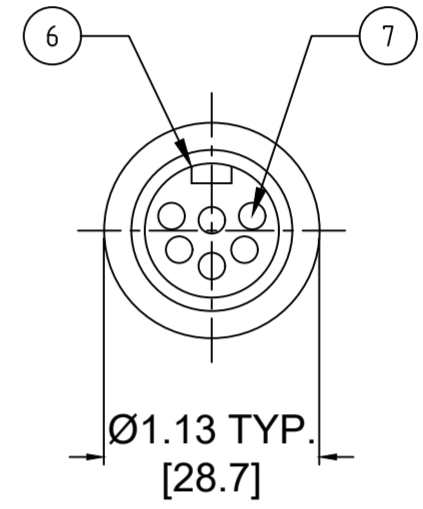
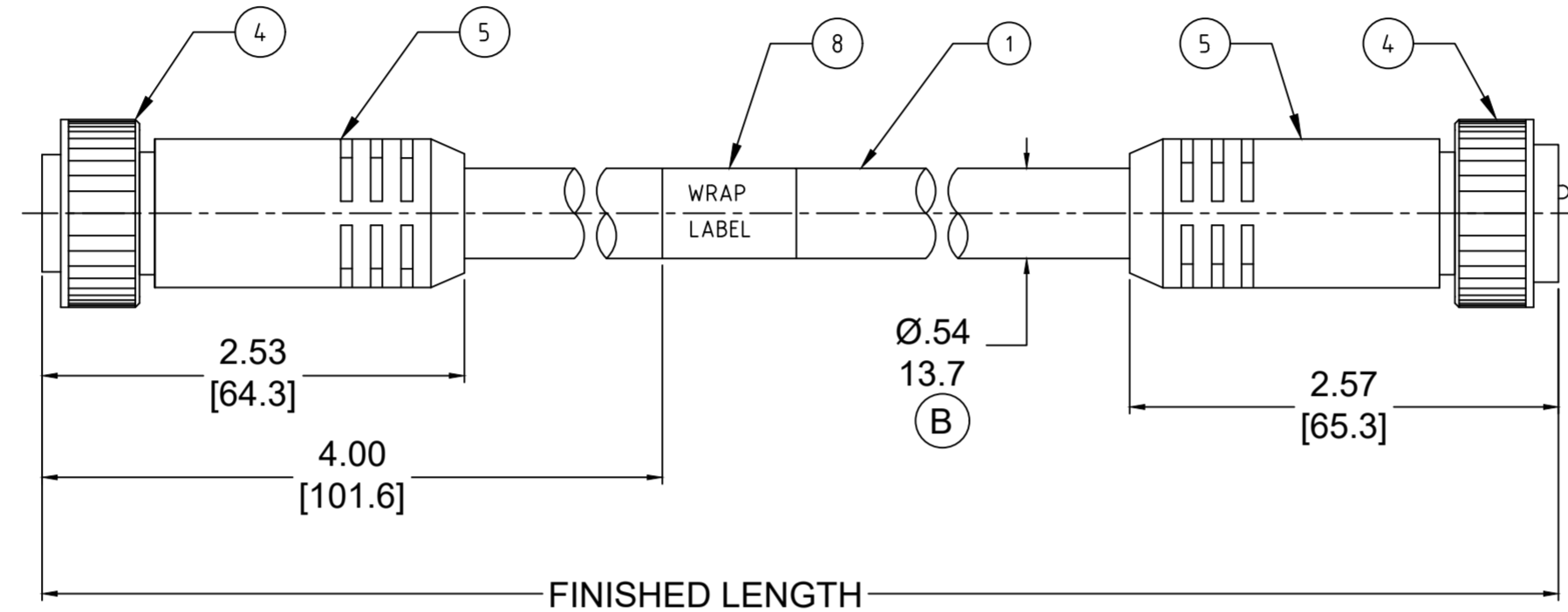
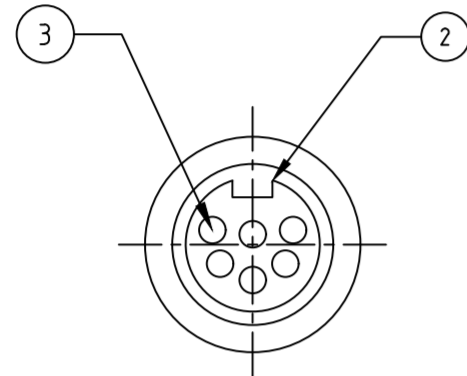
WIRING DIAGRAM

ITEM	QTY.	DESCRIPTION	MATERIAL	FINISH
10	1	LABEL	PLASTIC FILM	BLACK/YELLOW
9	7	PIN CONTACT	BRASS	GOLD PLATED
8	1	INSERT, MALE, 7 POLE	PVC	YELLOW
7	2	OVERMOLD	PVC	YELLOW
6	2	COUPLING NUT	ZINC DIE CAST	BLACK
5	2	FRICION RING	NYLON	NATURAL
4	7	SOCKET CONTACT	BRASS	GOLD PLATED
3	7	SOCKET SLEEVE	STAINLESS STEEL	
2	1	INSERT, FEMALE, 7 POLE	PVC	YELLOW
1	1	CABLE, 16-7 ST00W/ST	PVC JACKET	YELLOW

RELEASED EC NO: MNA2009-0813 DRAWN: BRUPERT 2009/06/09 CHKD: BRUPERT APPR: J. MURPHY 2009/06/10	DESCRIPTION QUALITY SYMBOLS ▽=0 ▽=0	GENERAL TOLERANCES (UNLESS SPECIFIED)		DIMENSION STYLE IN/MM		SCALE 1:1	DESIGN UNITS INCH	THIRD ANGLE PROJECTION																	
		<table border="1"> <thead> <tr> <th></th> <th>mm</th> <th>INCH</th> </tr> </thead> <tbody> <tr> <td>4 PLACES ±</td> <td>---</td> <td>± ---</td> </tr> <tr> <td>3 PLACES ±</td> <td>---</td> <td>± ---</td> </tr> <tr> <td>2 PLACES ±</td> <td>---</td> <td>± .01</td> </tr> <tr> <td>1 PLACE ±</td> <td>0.3</td> <td>± ---</td> </tr> </tbody> </table>			mm	INCH	4 PLACES ±	---	± ---	3 PLACES ±	---	± ---	2 PLACES ±	---	± .01	1 PLACE ±	0.3	± ---	DRAWN BY BRUPERT		DATE 2009/04/06	TITLE MINI-CHANGE CORD ASSY MALE/FEMALE, B-SIZE 7 POLE			
			mm	INCH																					
		4 PLACES ±	---	± ---																					
3 PLACES ±	---	± ---																							
2 PLACES ±	---	± .01																							
1 PLACE ±	0.3	± ---																							
DRAFT WHERE APPLICABLE MUST REMAIN WITHIN DIMENSIONS		APPROVED BY J. MURPHY		DATE 2009/04/06	MATERIAL NO. SEE CHART																				
A		REV		SIZE C		DOCUMENT NO. SD-130011-002		SHEET NO. 1 OF 1																	



PART NO	ENGINEERING NO.	FINISHED LENGTH
1300110008	226020A01F030	3FT [0.9M]
1300110082	227020A01M300	30M [98FT 5 IN]
1300110158	228020A01M600	60M [196FT 10 IN]



- NOTES:
- MATERIAL: AS NOTED
 - FINISH: AS NOTED
 - ELECTRICAL:
 - 6 POLE: VOLTAGE: 400V PER IEC60664
600V PER UL2238
CURRENT: 8A
 - 7 POLE: VOLTAGE: 320V PER IEC60664
600V PER UL2238
CURRENT: 8A
 - 8 POLE: VOLTAGE: 320V PER IEC60664
600V PER UL2238
CURRENT: 7A
 - TEMP RATING: -20°TO +105°C
 - PROTECTION: IP67 (WHEN MATED)
 - COUPLING THREAD: 1"-16 UN
 - UL RECOGNIZED FILE: E152210
CSA CERTIFIED FILE: LR6837 (B)
 - ALL DIMENSIONS ARE FOR REFERENCE UNLESS TOLERANCED OR NOTED OTHERWISE

PART NO. MATRIX
227020A01M010

POLES (6,7,8) FINISHED LENGTH:
 M005= 0.5 METER
 M010= 1 METER
 M100= 10 METER

F010= 1 FOOT
 F100= 10 FEET

CABLE LENGTH TOLERANCES

>.3M [1FT]:	+19mm-0 [+.75in-0]
.3 - .9M [1 - 3FT]:	+44.5mm-0 [+1.75in-0]
.9 - 1.8M [3 - 6FT]:	+55.6mm-0 [+2.19in-0]
1.8 - 3.7M [6 - 12FT]:	+88.9mm-0 [+3.50in-0]
3.7 - 7.3M [12 - 24FT]:	+165.1mm-0 [+6.50in-0]
7.3-14.6M [24 - 48FT]:	+317.5mm-0 [+12.50in-0]
14.6 - 30.5M [48-100FT]:	+622.3mm-0 [+24.50in-0]
OVER 30M [100FT]	+2% OF FINISHED LENGTH

8	WRAP LABEL	VINYL	BLACK/YELLOW
7	CONTACT PIN	COPPER ALLOY	GOLD PLATED
6	MALE INSERT	TPE	YELLOW
5	OVERMOLD	TPE	YELLOW
4	COUPLING	ZINC DIE-CAST	BLACK
3	CONTACT SOCKET	COPPER ALLOY	GOLD PLATED
2	FEMALE INSERT	TPE	YELLOW
1	CABLE, 16AWG, TPE,STOOW	PVC JACKET	YELLOW
ITEM	DESCRIPTION	MATERIAL	FINISH

FUNCTIONAL SYMBOLS FA=0 FC=0 FP=0	THIS DRAWING CONTAINS INFORMATION THAT IS PROPRIETARY TO MOLEX ELECTRONIC TECHNOLOGIES, LLC AND SHOULD NOT BE USED WITHOUT WRITTEN PERMISSION		CURRENT REV DESC: ITEM# 2, 5 & 6 WERE PVC. ADDED "CSA" IN NOTES. ADDED CABLE DIA. MODIFIED MATERIAL TABLE	
	DIMENSION UNITS	SCALE	EC NO: 643513	
	INCH/MM	NTS	DRWN: ABENJAMINLW	2020/07/29
	GENERAL TOLERANCES (UNLESS SPECIFIED)		CHK'D: RSTONE	2020/08/28
DIVISIONAL SYMBOLS	mm	INCH	APPR: BWOODMAN	2020/09/15
4 PLACES	±----	±----	INITIAL REVISION:	
3 PLACES	±----	±----	DRWN: RSTONE	2016/11/30
2 PLACES	±----	±----	APPR: BWOODMAN	2016/12/20
1 PLACE	±----	±----	ANGULAR TOL ± 0.5 °	
0 PLACES	±----	±----	THIRD ANGLE PROJECTION	
DRAFT WHERE APPLICABLE MUST REMAIN WITHIN DIMENSIONS		DRAWING		SHEET NUMBER
		C-SIZE	SERIES	139990
DOCUMENT STATUS		P1	RELEASE DATE	2020/09/15 20:43:15
		MATERIAL NUMBER		CUSTOMER
		SEE CHART		GENERAL MARKET
		DOCUMENT NUMBER		DOC TYPE/DOC PART/REVISION
		SD-130011-006		PSD 001 B
		SHEET NUMBER		1 OF 1