

MATERIAL NUMBER

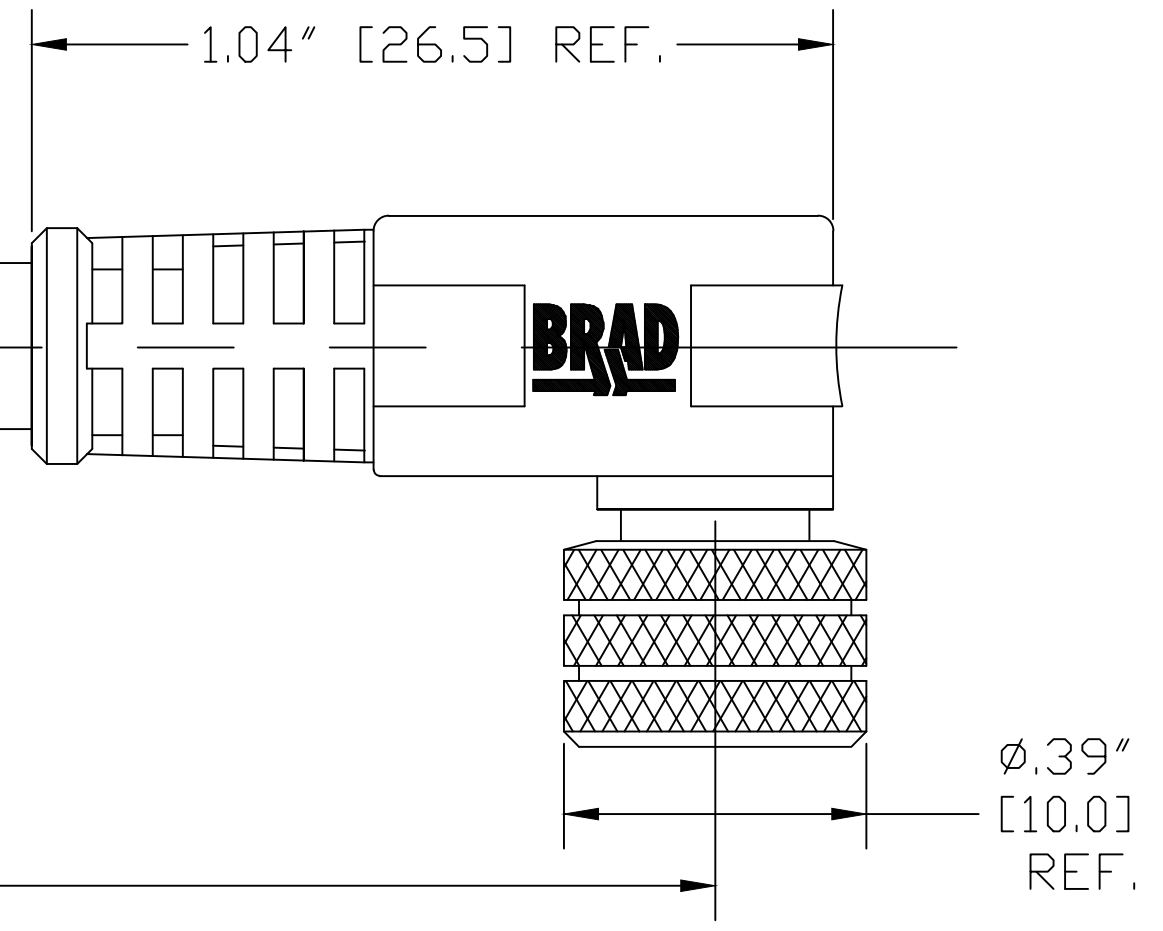
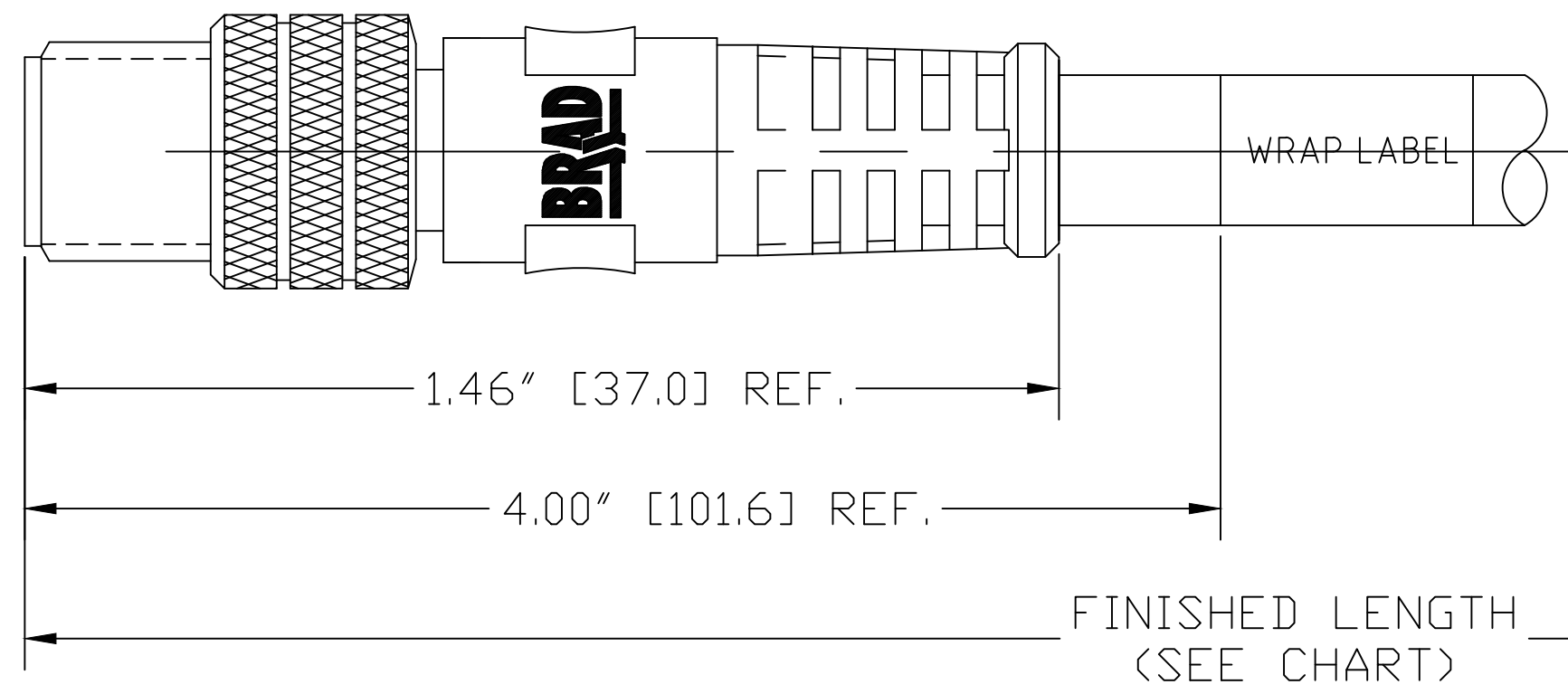
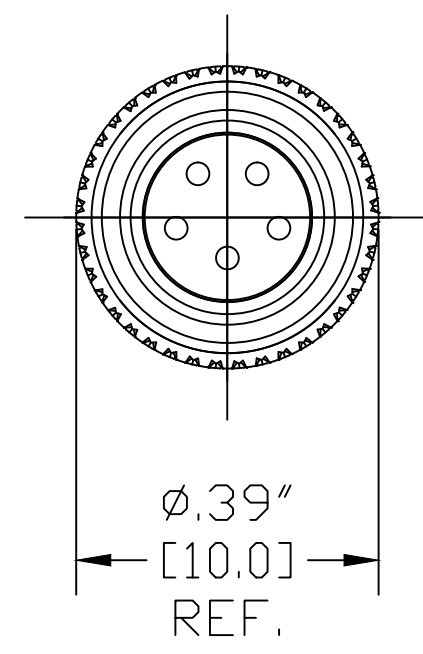
OLD PART NUMBER

FINISHED LENGTH

130030-0088

445031D12M010

3.28' +2.19" -0 [1.0M +55.6mm -0]

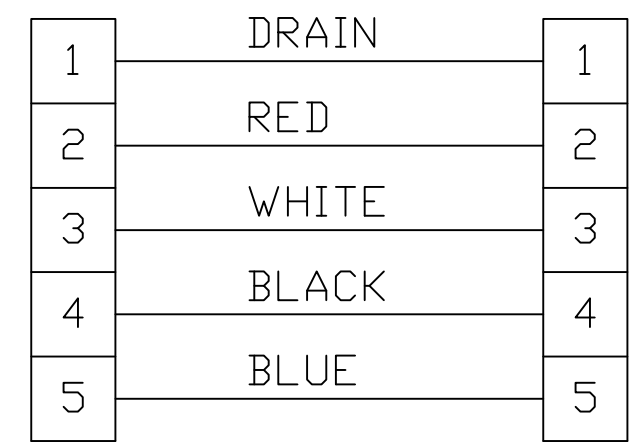
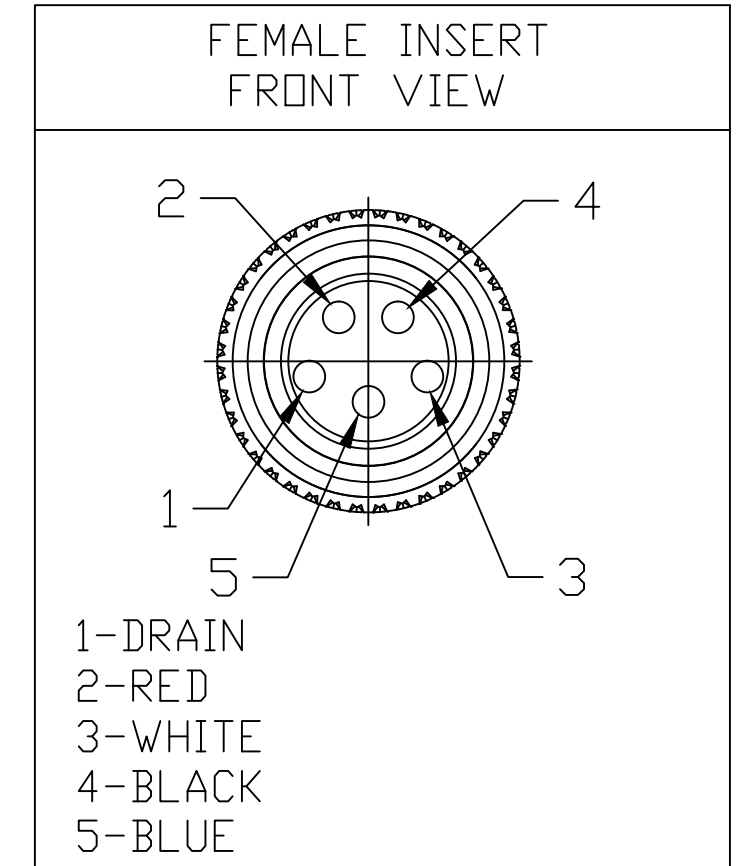
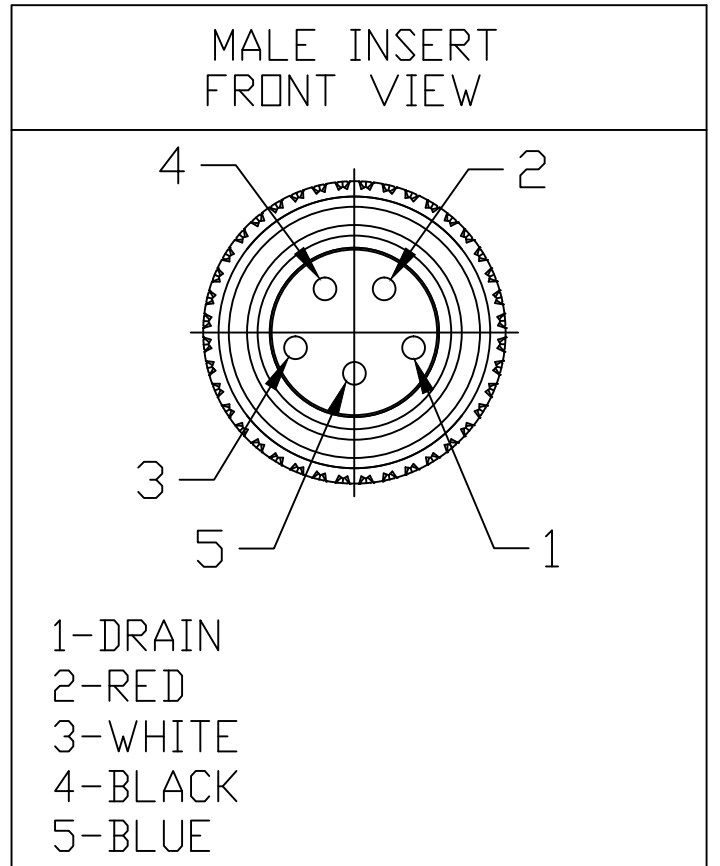


445031D12M010

Wire type
26 AWG
Gray PVC

cable length
M020----2 Meter
M100----10 Meter

CONTACT:	GOLD/NICKEL OVER COPPER ALLOY
INSERT:	PUR, BLACK
COUPLING NUT:	BRASS, NICKEL PLATED
MOLDED BODY:	RITFLEX, GRAY
VOLTAGE RATING:	60 VAC/ 75 VDC
AMPERAGE RATING:	1.68 AMPS
PROTECTION:	IP67
OPERATING TEMPERATURE:	-20°C TO 80°C



INITIAL RELEASE	QUALITY SYMBOL
EC NO.: IPG2013-1910	▽=0
DRWN: EBRACKEN 2013/06/24	▽C=0
CH'KD: RSTONE	
APPR: BWOODMAN2013/08/14	
DESCRIPTION	
REV	

GENERAL TOLERANCES (UNLESS SPECIFIED)	
	mm INCH
4 PLACES	±--- ±---
3 PLACES	±--- ±.005
2 PLACES	±0.13 ±.010
1 PLACE	±0.25 ±.020
ANGULAR ±.5°	
DRAFT WHERE APPLICABLE MUST REMAIN WITHIN DIMENSIONS	

DIMENSION STYLE IN/MM	
DRAWN BY	DATE
EBRACKEN	2013/06/18
CHECKED BY	DATE
RSTONE	----
APPROVED BY	DATE
BWOODMAN	2013/08/14
MATERIAL NO.	SEE CHART
SIZE	C

SCALE ---	DESIGN UNITS INCH	THIRD ANGLE PROJECTION
TITLE		
NANO-CHANGE ASSEMBLY		
5 POLE M/MFE ST/90		
#26 DROP CABLE 4-TPR		
MOLEX INCORPORATED		
DOCUMENT NO. SD-130030-003	SHEET NO. 1 OF 1	
THIS DRAWING CONTAINS INFORMATION THAT IS PROPRIETARY TO MOLEX INCORPORATED AND SHOULD NOT BE USED WITHOUT WRITTEN PERMISSION		