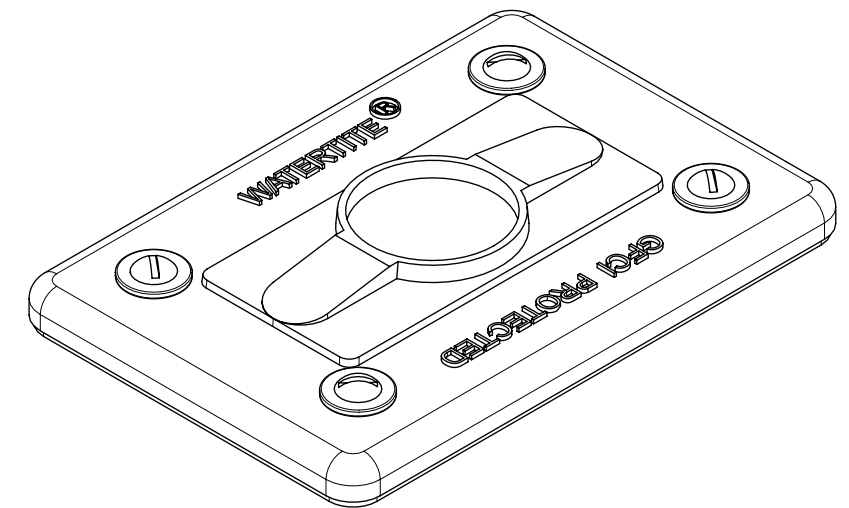
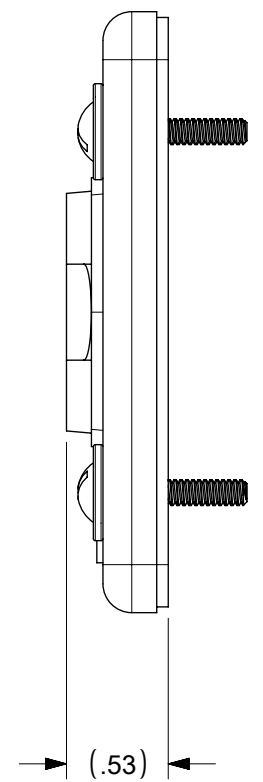
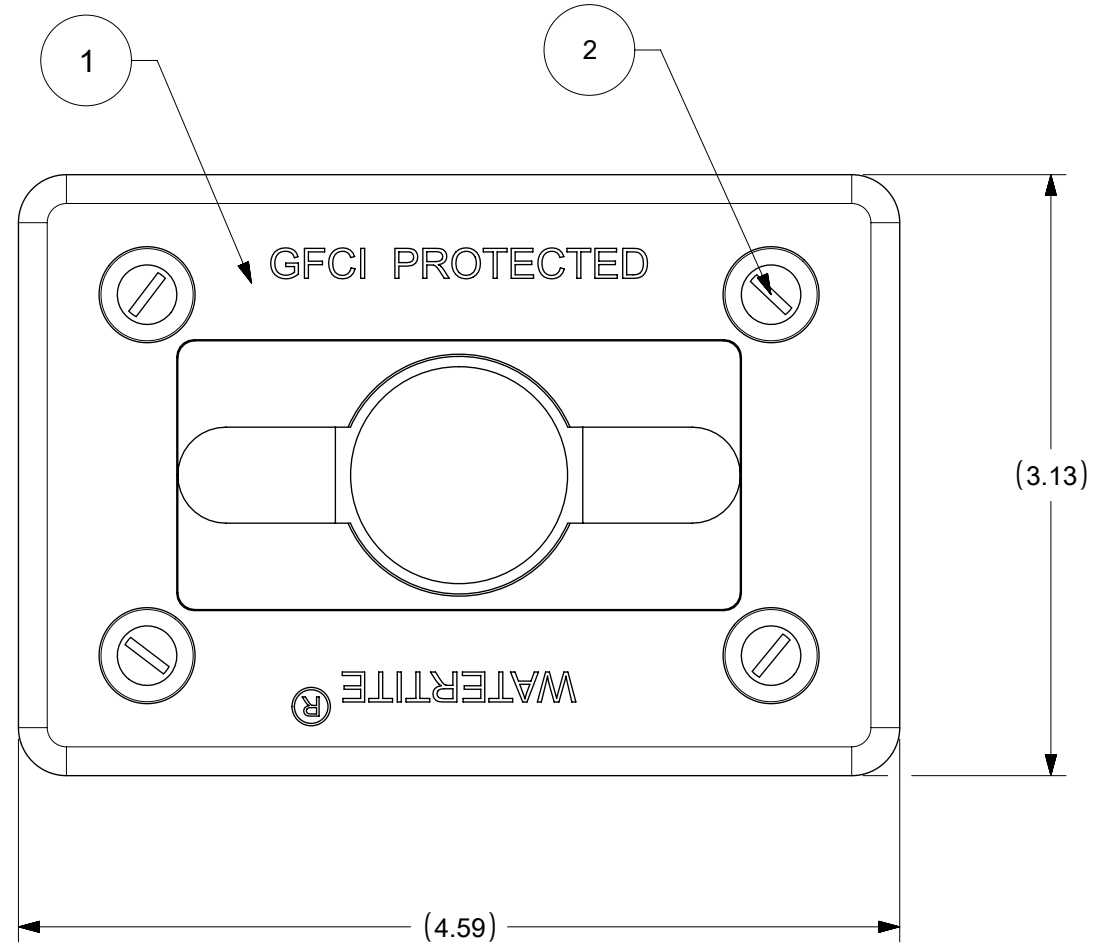


ORDER NO.	PART NO.	COLOR
130138-0047	3362	CLEAR



ITEM NO.	DESCRIPTION	MATERIAL	QTY.
1	GFCI BOX COVER	SILICONE	1
2	SCREWS	STAINLESS STEEL	4

SYMBOLS ▽ = 0 ▽ = 0 ▽ = 0 ▽ = 0 ▽ = 0 ▽ = 0 ▽ = 0 ▽ = 0 ▽ = 0 ▽ = 0 ▽ = 0	THIS DRAWING CONTAINS INFORMATION THAT IS PROPRIETARY TO MOLEX ELECTRONIC TECHNOLOGIES, LLC AND SHOULD NOT BE USED WITHOUT WRITTEN PERMISSION DIMENSION UNITS: INCH SCALE: 1:1	CURRENT REV DESC: NEW RELEASE EC NO: 628793 DRWN: VASUTHKARP 2019/12/26 CHK'D: DNGUYEN62 2020/01/02 APPR: HKNEELAND 2020/07/29			
	GENERAL TOLERANCES (UNLESS SPECIFIED) ANGULAR TOL ± ° 4 PLACES ± 3 PLACES ± 2 PLACES ± 1 PLACE ± 0 PLACES ±	INITIAL REVISION: DRWN: VASUTHKARP 2019/12/26 APPR: HKNEELAND 2020/07/29	GFCI WATERTITE COVER		
	DRAFT WHERE APPLICABLE MUST REMAIN WITHIN DIMENSIONS THIRD ANGLE PROJECTION DRAWING SERIES: B-SIZE 130138	DOCUMENT NUMBER: 1301380047 DOC TYPE: PSD DOC PART: 000 REVISION: A	PRODUCT CUSTOMER DRAWING		
		MATERIAL NUMBER: SEE TABLE CUSTOMER: GENERAL MARKET SHEET NUMBER: 1 OF 1			