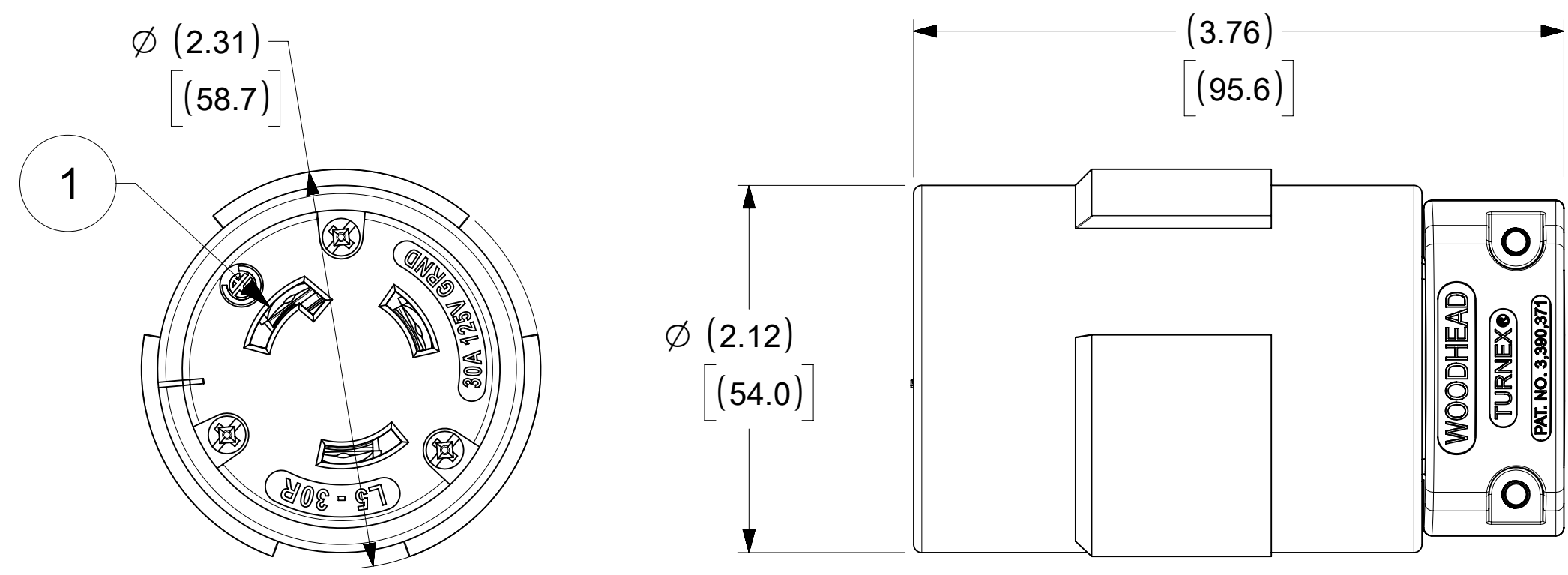
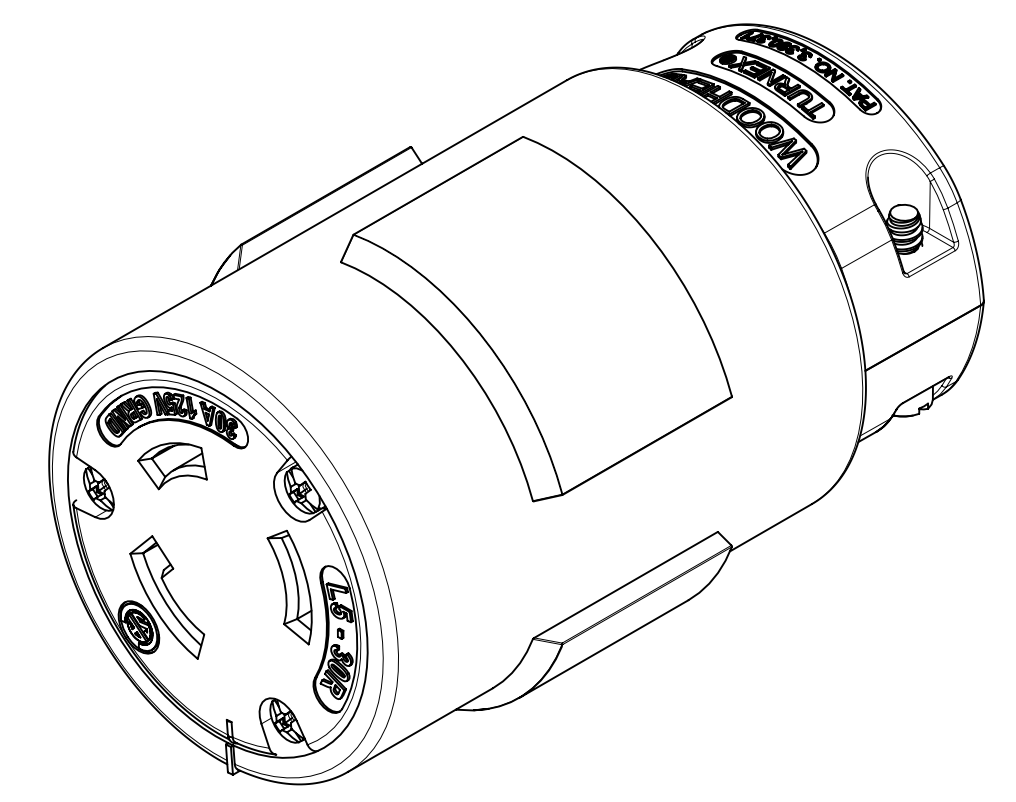
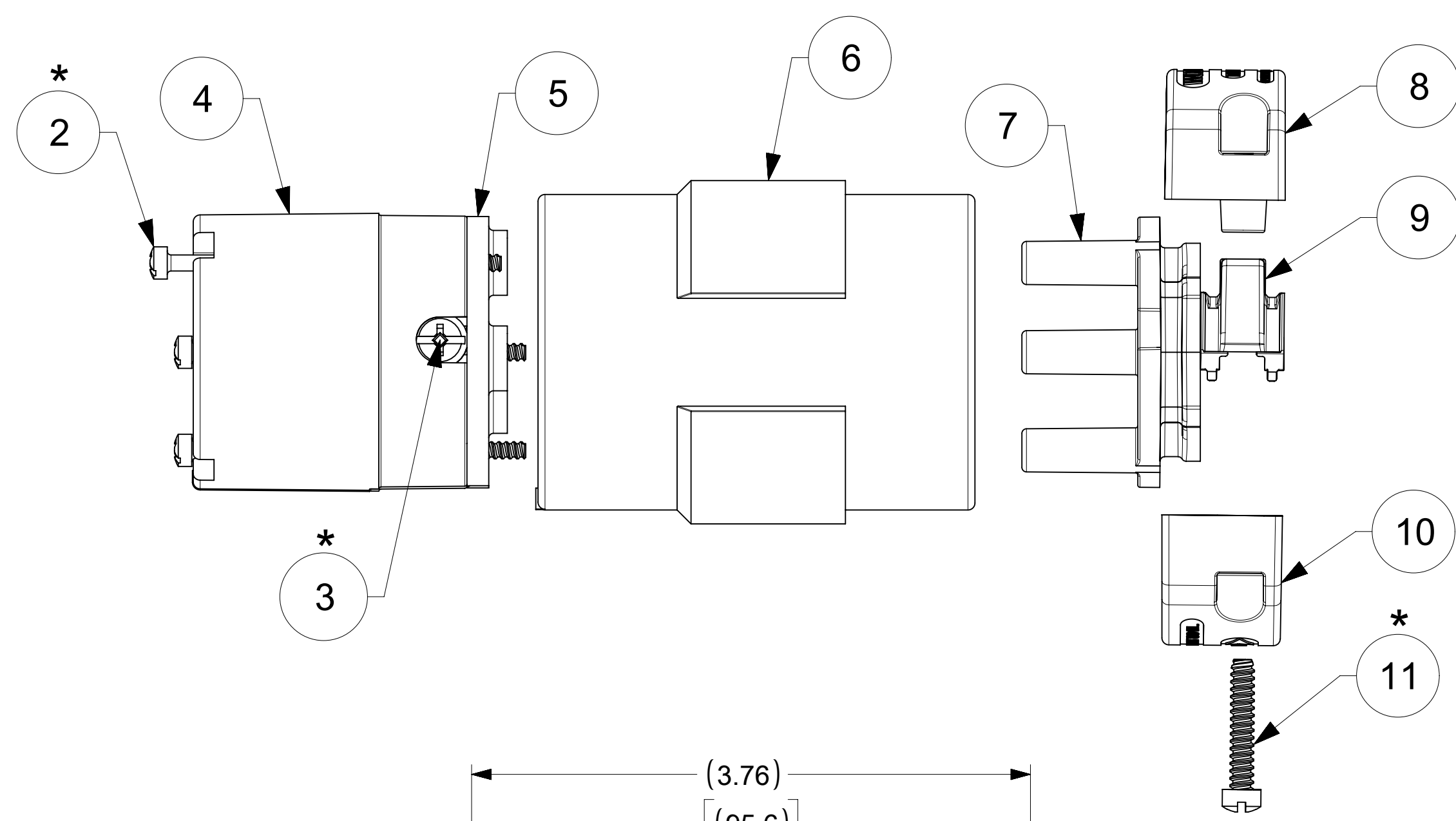
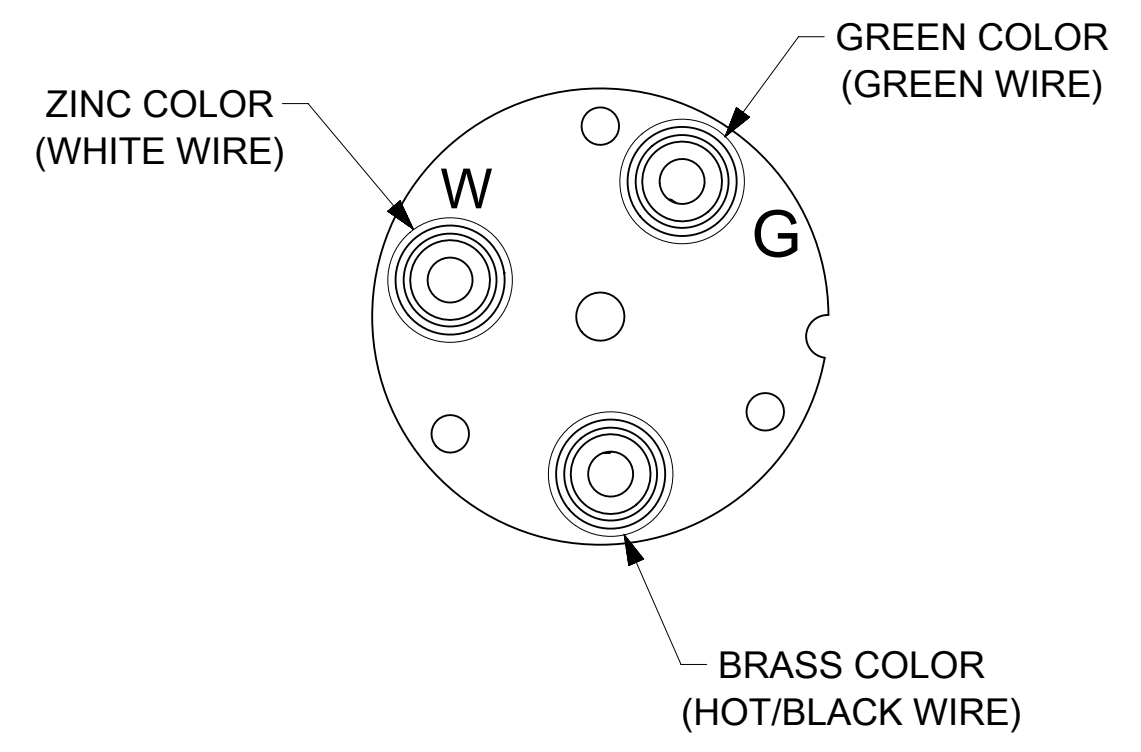


ORDER NO.	WOODHEAD NO.	COLOR
130141-0067	2947	YELLOW



WIRING TERMINATION



* FOR SCREW TORQUE, SEE ASSEMBLY INSTRUCTIONS

ITEM NO.	DESCRIPTIONS	MATERIAL	QTY.
1	CLIPS	BRASS, NICKEL PLATED	3
2	RETAINING SCREWS	STAINLESS STEEL	3
3	TERMINAL SCREWS/CLAMP ASSEMBLY	BRASS, ZINC PLATED	3
4	INSERT	NYLON	1
5	TERMINAL COVER	POLYCARBONATE	1
6	CONNECTOR HOUSING	RUBBER	1
7	CLAMP SUPPORT	NYLON	1
8	CLAMP CORD MALE	NYLON	1
9	CLAMP CORD INSERT	NYLON	1
10	CLAMP CORD FEMALE	NYLON	1
11	RETAINING SCREWS	STEEL	2

SYMBOLS		THIS DRAWING CONTAINS INFORMATION THAT IS PROPRIETARY TO MOLEX ELECTRONIC TECHNOLOGIES, LLC AND SHOULD NOT BE USED WITHOUT WRITTEN PERMISSION		CURRENT REV DESC: NEW RELEASE	
▽ = 0	INCH/MM	SCALE	NTS		
▽ = 0	GENERAL TOLERANCES (UNLESS SPECIFIED)				
▽ = 0		MM	INCH		
▽ = 0	4 PLACES	±	±	EC NO: 628225	
▽ = 0	3 PLACES	±	±	DRWN: VHANDI	2019/06/21
▽ = 0	2 PLACES	±	±	CHK'D: DNGUYEN62	2019/12/13
▽ = 0	1 PLACE	±	±	APPR: HKNEELAND	2020/06/01
▽ = 0	0 PLACES	±	±	INITIAL REVISION:	
▽ = 0	ANGULAR TOL	±	°	DRWN: VHANDI	2019/06/21
▽ = 0	DRAFT WHERE APPLICABLE MUST REMAIN WITHIN DIMENSIONS		THIRD ANGLE PROJECTION	APPR: HKNEELAND	2020/06/01
				DRAWING	SERIES
				C-SIZE	130141
DOCUMENT STATUS		P1	RELEASE DATE	2020/06/01	17:43:52
DOCUMENT NUMBER		1301410067		DOC TYPE	PSD
DOC PART		000		REVISION	A
MATERIAL NUMBER		SEE TABLE		CUSTOMER	GENERAL MARKET
SHEET NUMBER		1 OF 1			