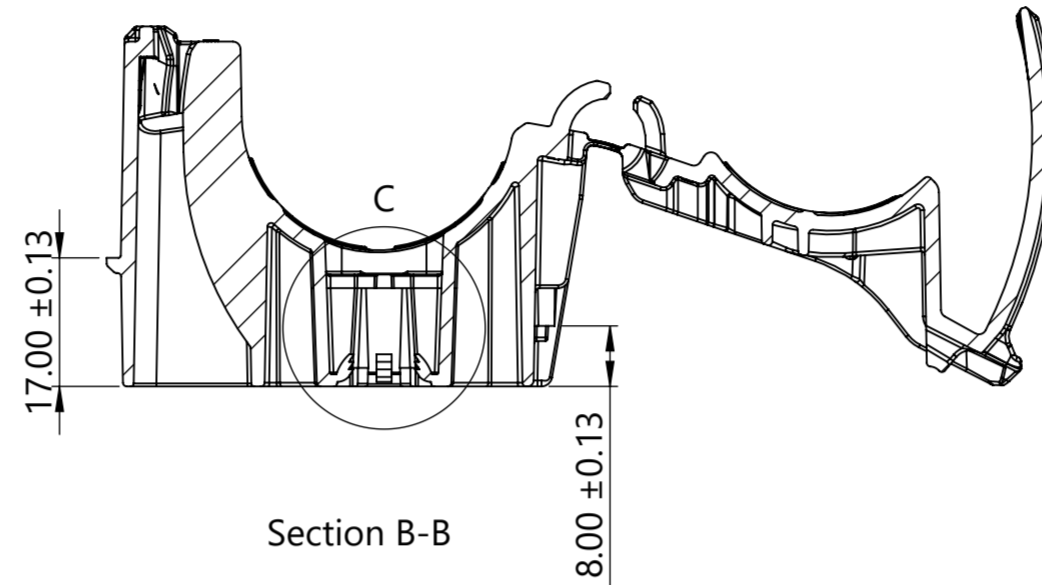
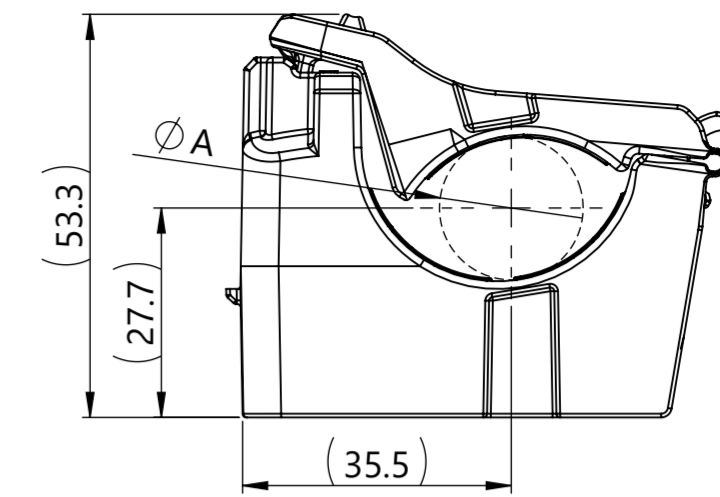


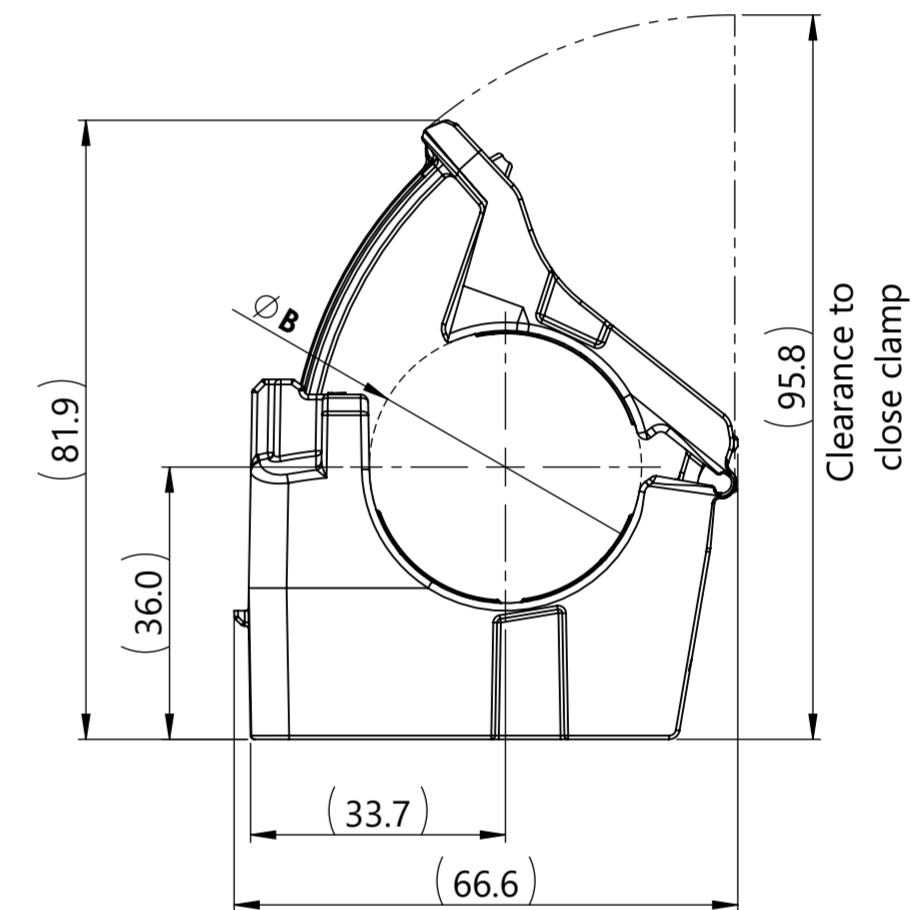
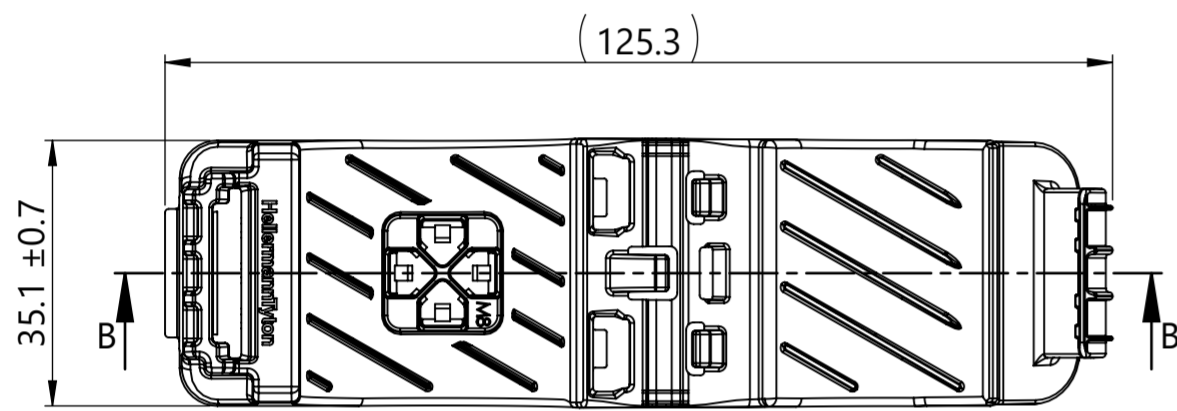
Isometric View
Product shipped in clamp open position



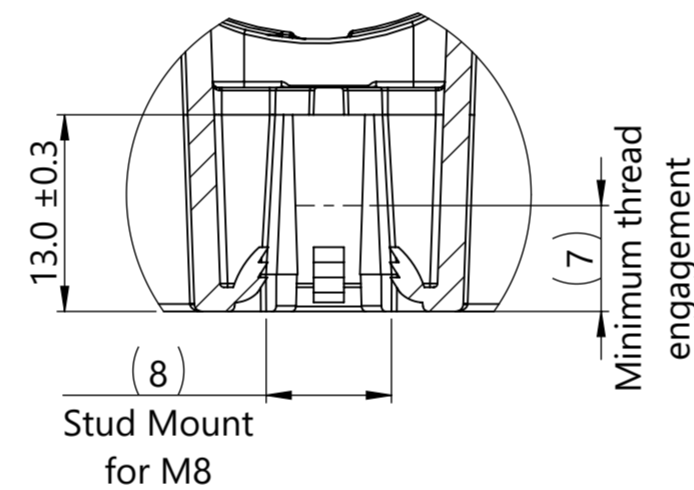
Section B-B



Minimum Bundle Diameter

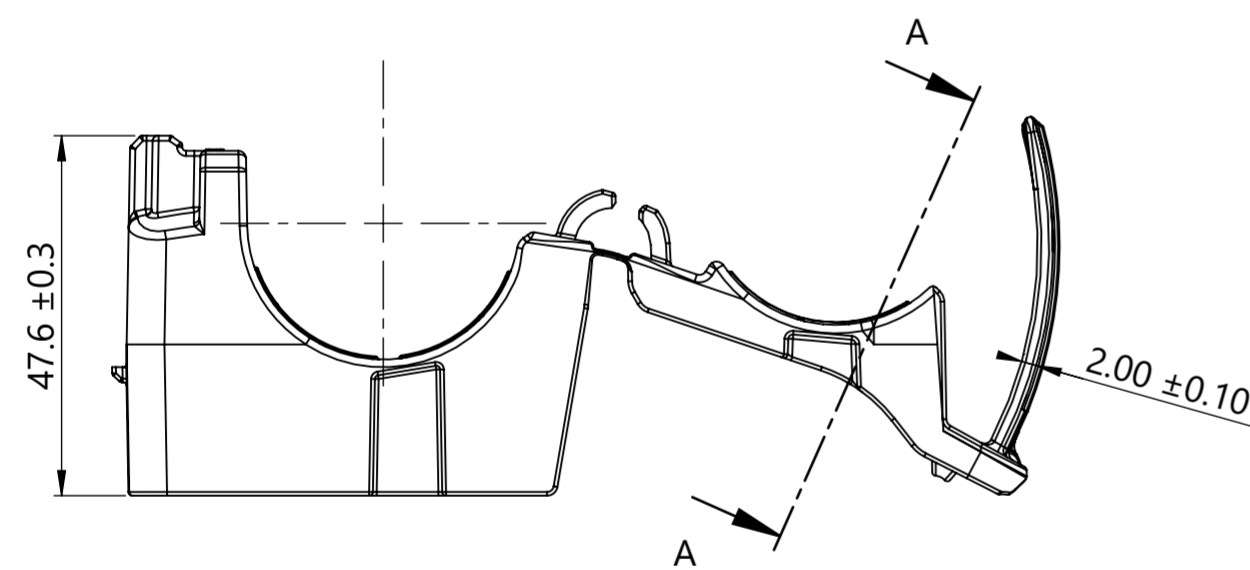


Maximum Bundle Diameter



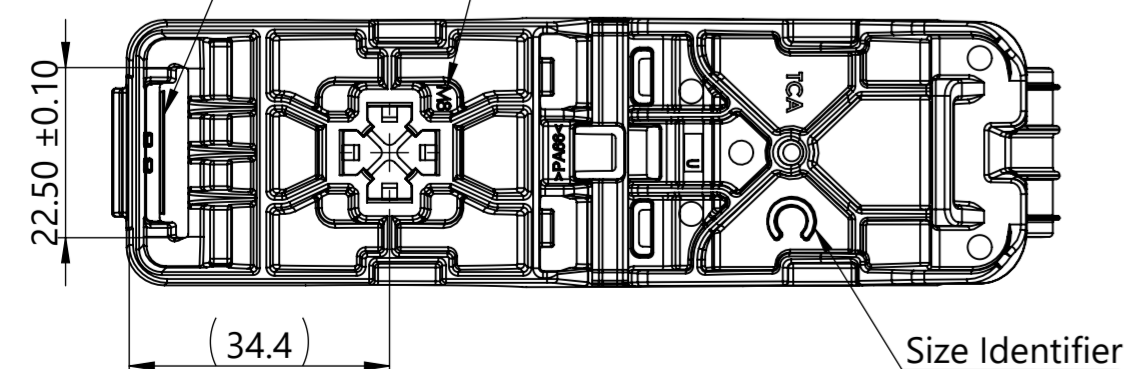
Stud Mount
for M8

Detail C
Scale 2 : 1



0.10 Maximum flash
or mismatch
allowed inside head

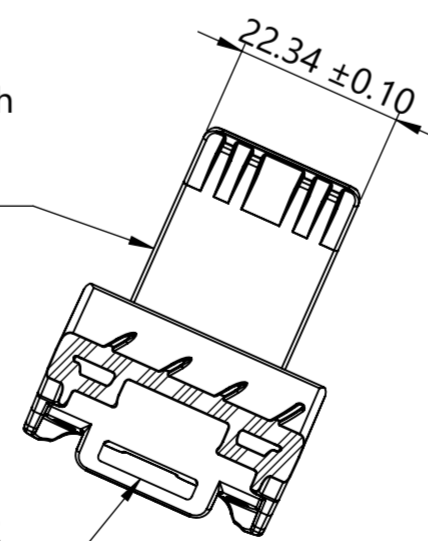
Mount size identifier



Size Identifier

0.10 Maximum flash
or mismatch
allowed around
perimeter of strap

Saddle opening
accommodates
Straps up to 13.2
wide and 2.1 thick



Section A-A

Performance requirements:

Dry as molded with $\leq 0.5\%$ moisture content:

- ITS-0001 Ratchet Clamp Split Mandrel Test:
445 newtons [100 lbf] minimum at a nominal
bundle diameter of 25.40mm [1.000in]
- ITS-0006 Push On and Pull Off Stud Mount
Push on force: 45 newtons [10 lbf] maximum
Pull off force: 222 newtons [50 lbf] minimum

Notes:

- Material: See chart
- Material color: See chart
- Maximum percent regrind permissible: 25%
- Maximum allowable flash to be: 0.50 "Unless otherwise noted"
- Maximum allowable mismatch to be: 0.15 "Unless otherwise noted"

Bundle Types	A Minimum Diameter	B Maximum Diameter
Soft	19.4 ± 0.3	36.0 ± 0.3
Hard	18.6 ± 0.3	35.2 ± 0.3

Global Part Number	Global Part Description	Mounting Stud Size	Type Number	Material	Color
21-0244	CMRCCSMM8-PA66HIRHSUV-BK	M8	CMRCCSMM8	PA66HIRHSUV	Black

Revision level			Revision Record		
Drawing	State	Part	ECN 016828		
00.0	Design Release	-			
Changed	Date (YYYY/MM/DD)				
Spangler	2022/01/18				
Approved	Date (YYYY/MM/DD)				
Toll	2022/01/18				

The copyright of
this drawing is
reserved by
HellermannTyton.

Drawn
Spangler
Date (YYYY/MM/DD)
2021/04/09
Approved
Date (YYYY/MM/DD)
Toll
2021/04/09

Units
mm

HellermannTyton
www.HellermannTyton.com

CMRCCSMM8
Title
Center Mount RCC Ratchet P-Clamp, Size C,
Clamp Range 18.9 to 36.0, M8 Stud Mount
Scale
1:1
Global Project Number
21-0244
Drawing-No
21-0244-003-CSU
Format
A2
Sheet
1/1