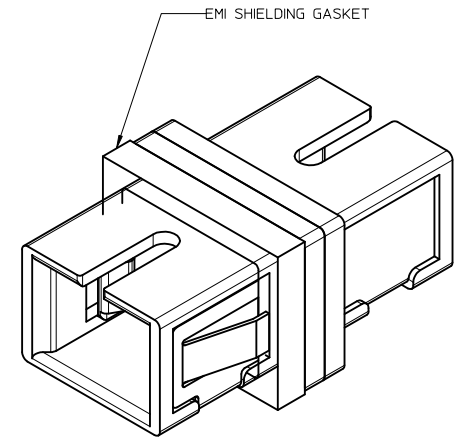


RECOMMENDED MOUNTING CUTOUT
FOR .063" THICK PANEL



NOTES:

1. ALL DIMENSIONS ARE FOR REFERENCE ONLY.
2. DUST CAP IS NOT SHOWN, BUT INCLUDED.
3. ADAPTERS TO BE PACKAGED IN TRAY.

| | | | | | | | | |
|---|--|---------------------------------------|---|---------------------------------|---------------------|---|---------------------------------------|----------------------------|
| EC NO: MF2012-0307 DRAWING: DRWNEEFUNG 2011/12/20 CHKD: I GUMIN APPR: I GUMIN 2011/12/22 | QUALITY SYMBOLS ▽=0 ▽=0 | GENERAL TOLERANCES (UNLESS SPECIFIED) | | DIMENSION STYLE IN/MM | SCALE 4:1 | DESIGN UNITS INCH | THIRD ANGLE PROJECTION | |
| | | 4 PLACES ± --- ± .0002 | 3 PLACES ± 0.005 ± .005 | DRAWN BY EEFUNG | DATE 2011/12/20 | SC METAL ADAPTER WITHOUT SHUTTER | | |
| | | 2 PLACES ± 0.13 ± .01 | 1 PLACE ± 0.25 ± --- | CHECKED BY | DATE | | | |
| | | ANGULAR ± 1/2° | | APPROVED BY I GUMIN | DATE 2011/12/22 | MATERIAL NO. 1061162004 | DOCUMENT NO. SD-106116-2004 | SHEET NO. 1 OF 1 |
| A | DRAFT WHERE APPLICABLE MUST REMAIN WITHIN DIMENSIONS | SIZE C | THIS DRAWING CONTAINS INFORMATION THAT IS PROPRIETARY TO MOLEX INCORPORATED AND SHOULD NOT BE USED WITHOUT WRITTEN PERMISSION | | | | | |