

NOTES

- 1. 材料及び仕上げ(めっき仕様) : TABLE 1参照
MATERIAL AND FINISHES : SEE TABLE 1
- 2. 製品仕様書 : 511630000-PS 000
PRODUCT SPECIFICATION:511630000-PS 000
- 3. 嵌合相手 : 51163 シリーズ
MATES WITH:51163 SERIES
- 4. アプリケーション仕様書(コネクタ取扱い説明書) : 2166940000-AS PS 000
APPLICATION SPECIFICATION(CONNECTOR MANUAL) : 2166940000-AS PS 000
- 5. 偶数極に適合
APPLY FOR EVEN CIRCUIT
- 6. GLOW WIRE TEST適合品
THIS PRODUCT IS GLOW WIRE TEST COMPATIBLE.
- 7. ターミナルとネイルの平坦度は0.15mm以下
TERMINAL AND NAIL COPLANARITY : 0.15mm MAXIMUM.
- 8. 発注番号 ORDER NUMBER

215931 ** 7 *

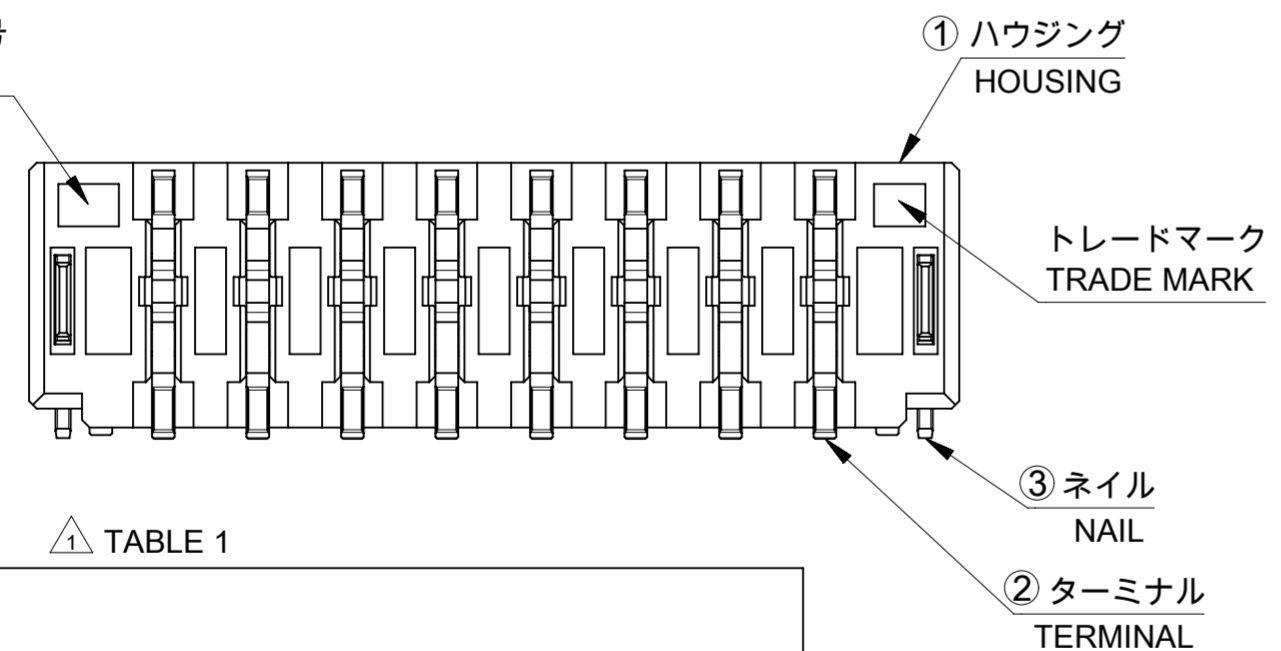
極数
CIRCUIT SIZE

番号 NO.	ハウジングカラー HOUSING COLOR
0	ナチュラル(ベージュ) NATURAL(BEIGE)
1	黒 BLACK

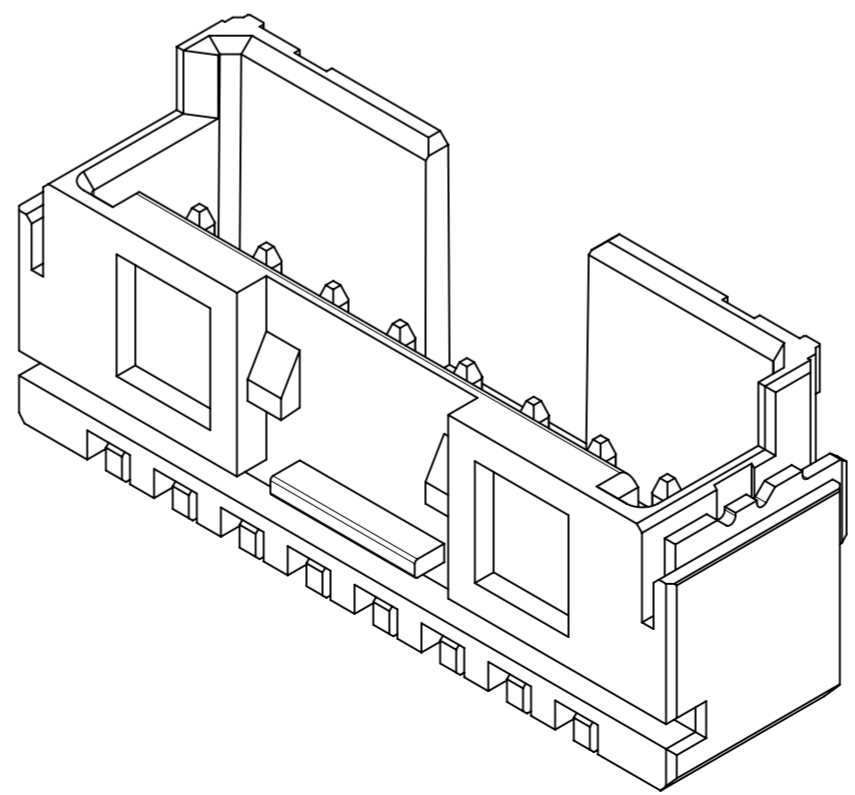
製品一覧 PRODUCT LIST

				黒 BLACK	ナチュラル (ベージュ) NATURAL (BEIGE)	ハウジングカラー HOUSING COLOR
6	38.2	35	42.1	2159311571	2159311570	15
6	35.7	32.5	39.6	2159311471	2159311470	14
6	33.2	30	37.1	2159311371	2159311370	13
6	30.7	27.5	34.6	2159311271	2159311270	12
6	28.2	25	32.1	2159311171	2159311170	11
6	25.7	22.5	29.6	2159311071	2159311070	10
6	23.2	20	27.1	2159310971	2159310970	9
6	20.7	17.5	24.6	2159310871	2159310870	8
6	18.2	15	22.1	2159310771	2159310770	7
6	15.7	12.5	19.6	2159310671	2159310670	6
6	13.2	10	17.1	2159310571	2159310570	5
6	10.7	7.5	14.6	2159310471	2159310470	4
5	8.2	5	12.1	2159310371	2159310370	3
2.5	5.7	2.5	9.6	2159310271	2159310270	2
D	C	B	A	オーダー番号 : ORDER NUMBER		極数 CIRCUIT SIZE
梱包形態 : エンボス梱包 PACKAGING : EMBOSSED TAPE AND REEL						

キャビティ番号
CAVITY No.

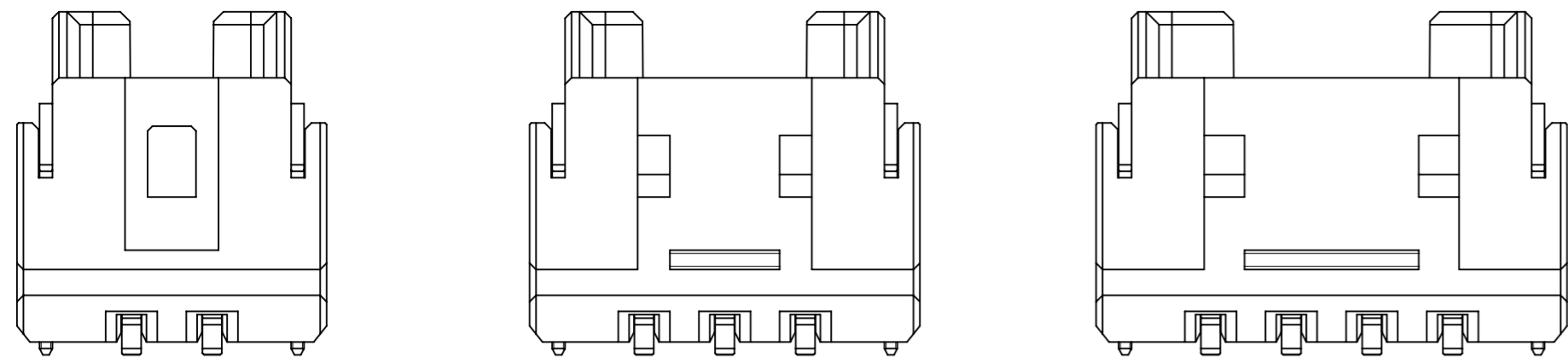


番号 NO.	部品 PART	材質 MATERIAL
①	ハウジング HOUSING	ポリアミド(PA),ガラス充填,UL94 V-0,色 : SHEET 1参照 POLYAMIDE (PA),GLASS FILLED,UL94 V-0,COLOR:SEE SHEET 1
②	ターミナル TERMINAL	黄銅 BRASS 錫めっき : 1.0 MICROMETER MINIMUM MATTE TIN PLATING ニッケルめっき(下地めっき) : 1.0 MICROMETER MINIMUM NICKEL PLATING (UNDER PLATING)
③	ネイル NAIL	黄銅 BRASS 錫めっき : 1.0 MICROMETER MINIMUM MATTE TIN PLATING ニッケルめっき(下地めっき) : 1.0 MICROMETER MINIMUM NICKEL PLATING (UNDER PLATING)



THIS DRAWING CONTAINS INFORMATION THAT IS PROPRIETARY TO MOLEX ELECTRONIC TECHNOLOGIES, LLC AND SHOULD NOT BE USED WITHOUT WRITTEN PERMISSION

DIMENSION UNITS	SCALE	CURRENT REV DESC:	molex		
mm	NTS				
GENERAL TOLERANCES (UNLESS SPECIFIED)			MINI-LOCK 2.5 SINGLE ROW HEADER ASSEMBLY SMT VT		
ANGULAR TOL	± 3.0°	EC NO: 701596	PRODUCT CUSTOMER DRAWING		
4 PLACES	± 0.2	DRWN: RWATANABE01 2021/10/18	DOCUMENT NUMBER		
3 PLACES	± 0.2	CHK'D: AIDA 2022/03/31	DOC TYPE DOC PART REVISION		
2 PLACES	± 0.2	APPR: SAKIYAMA 2022/04/01	2159310000-SD PSD 000 A		
1 PLACE	± 0.2	INITIAL REVISION:	MATERIAL NUMBER CUSTOMER SHEET NUMBER		
0 PLACES	± 0.2	DRWN: RWATANABE01 2021/10/18 APPR: SAKIYAMA 2022/04/01	SEE SHEET1 GENERAL 1 OF 3		
DRAFT WHERE APPLICABLE MUST REMAIN WITHIN DIMENSIONS		THIRD ANGLE PROJECTION	DRAWING	SERIES	
			A2-SIZE	215931	

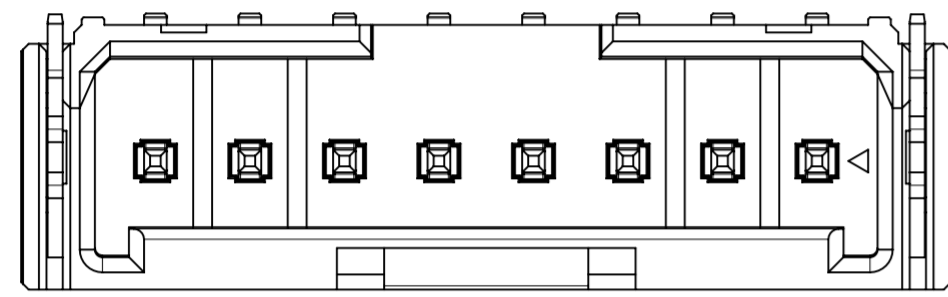


2CIRCUIT

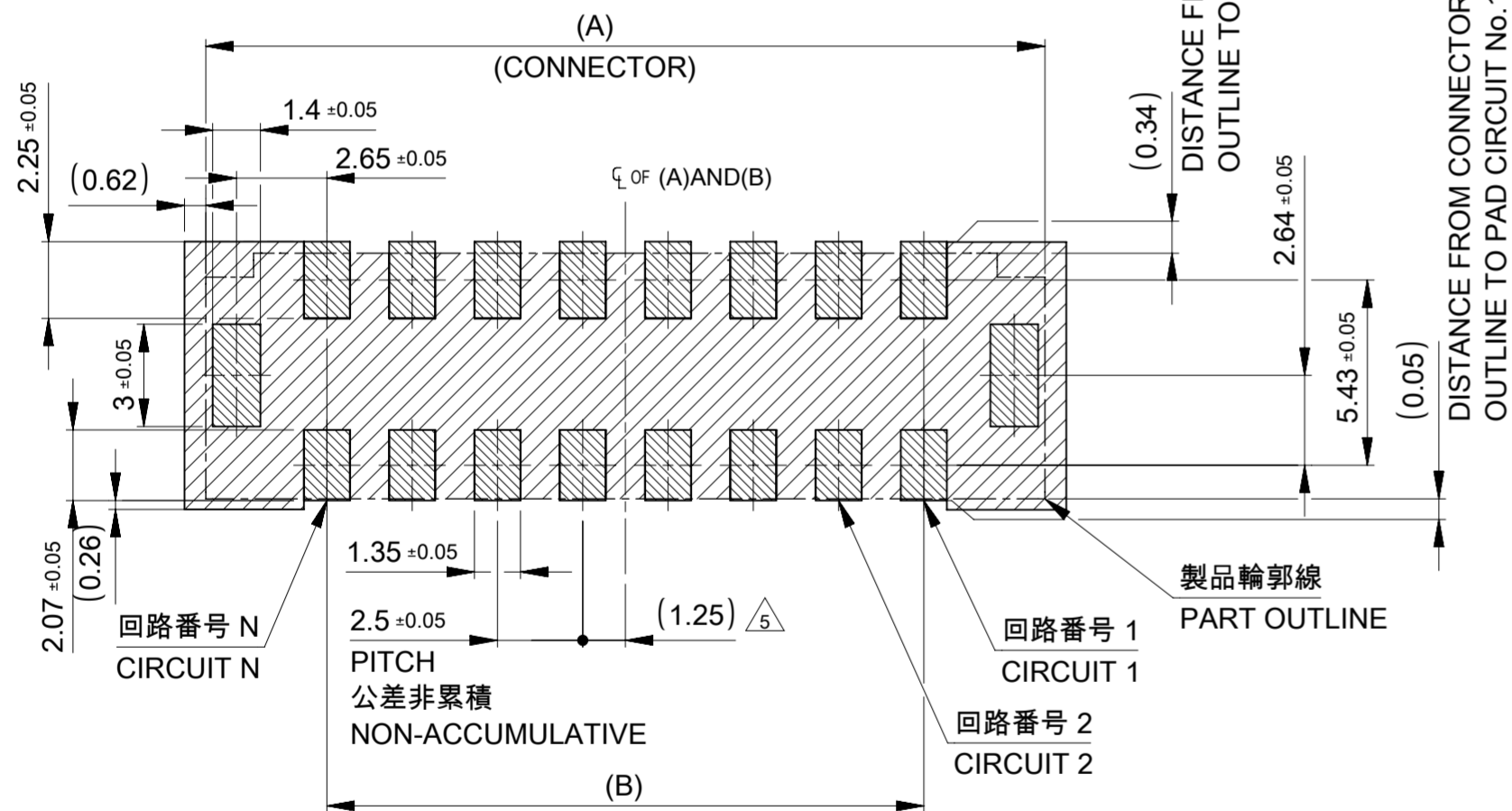
3CIRCUIT

4-15CIRCUIT

ロック形状図
LOCK CONFIGURATION



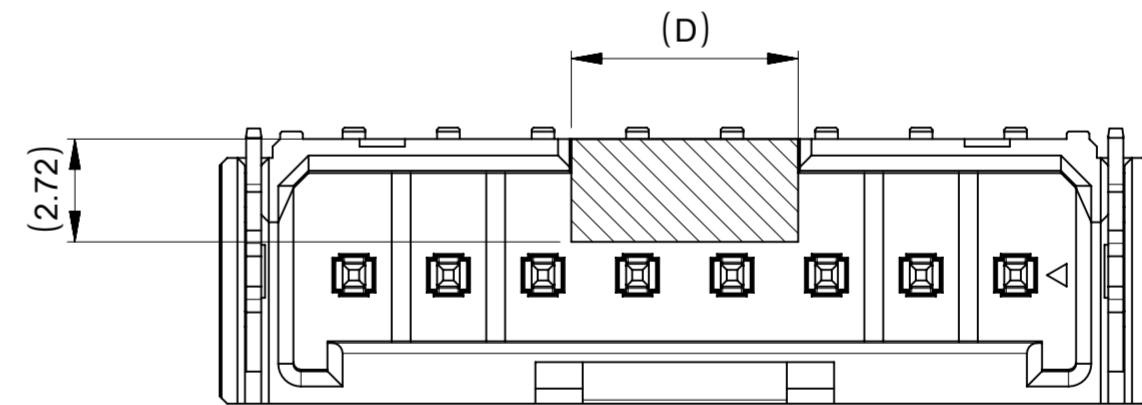
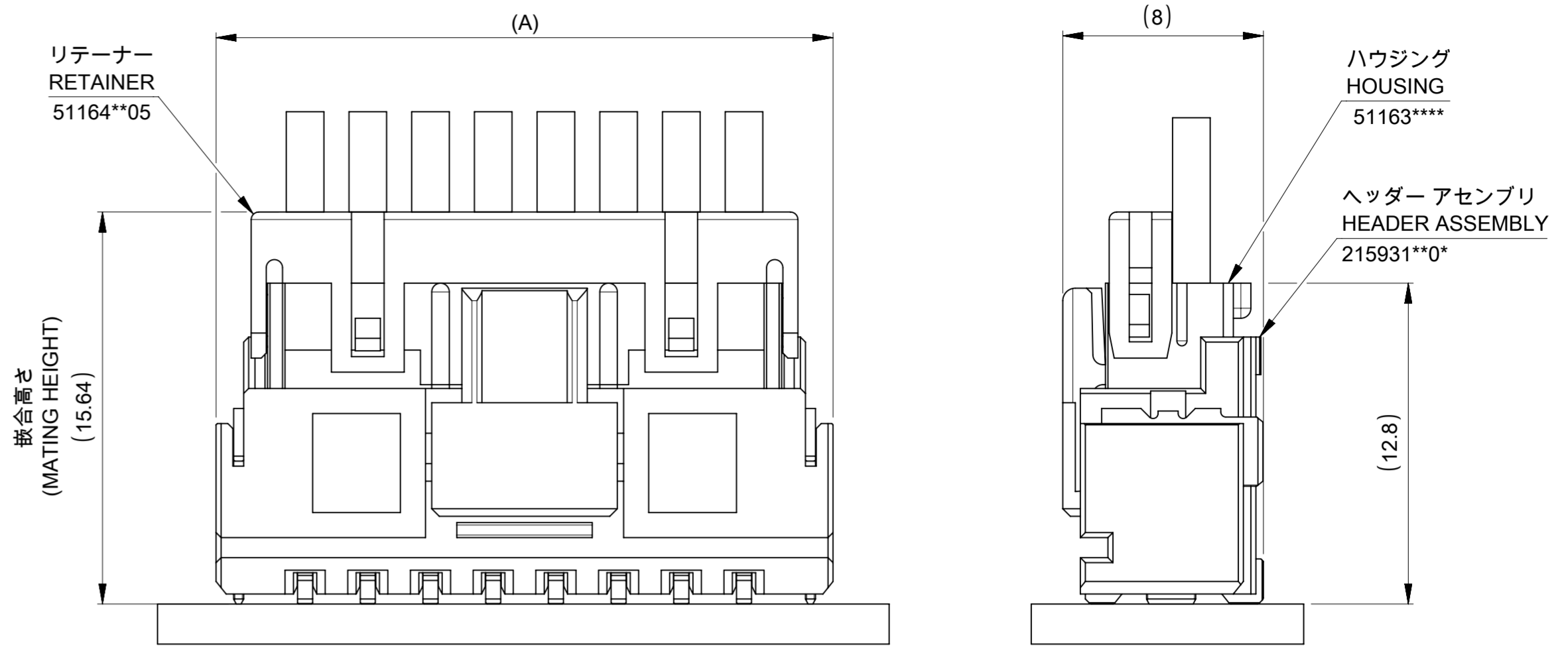
製品レイアウト
PRODUCT LAYOUT



推奨基板レイアウト
RECOMMENDED PCB PATTERN LAYOUT

(参考: 基板厚 1.6mm, メタルマスク厚 0.15mm, マスク開口率 100%)
(REFERENCE: PCB THICKNESS 1.6mm, STENCIL THICKNESS 0.15mm, APERTURE RATIO 100%)

パターン非推奨エリア
パターンを引き回す際は、製品機能に影響がないことをご確認ください。
PATTERN IS NOT RECOMMENDED ON THE HATCHING AREA
PLEASE CHECK NOT TO HAVE PROBLEM FOR PRODUCT FUNCTION
WHEN SETTING PATTERN ON THE HATCHING AREA.

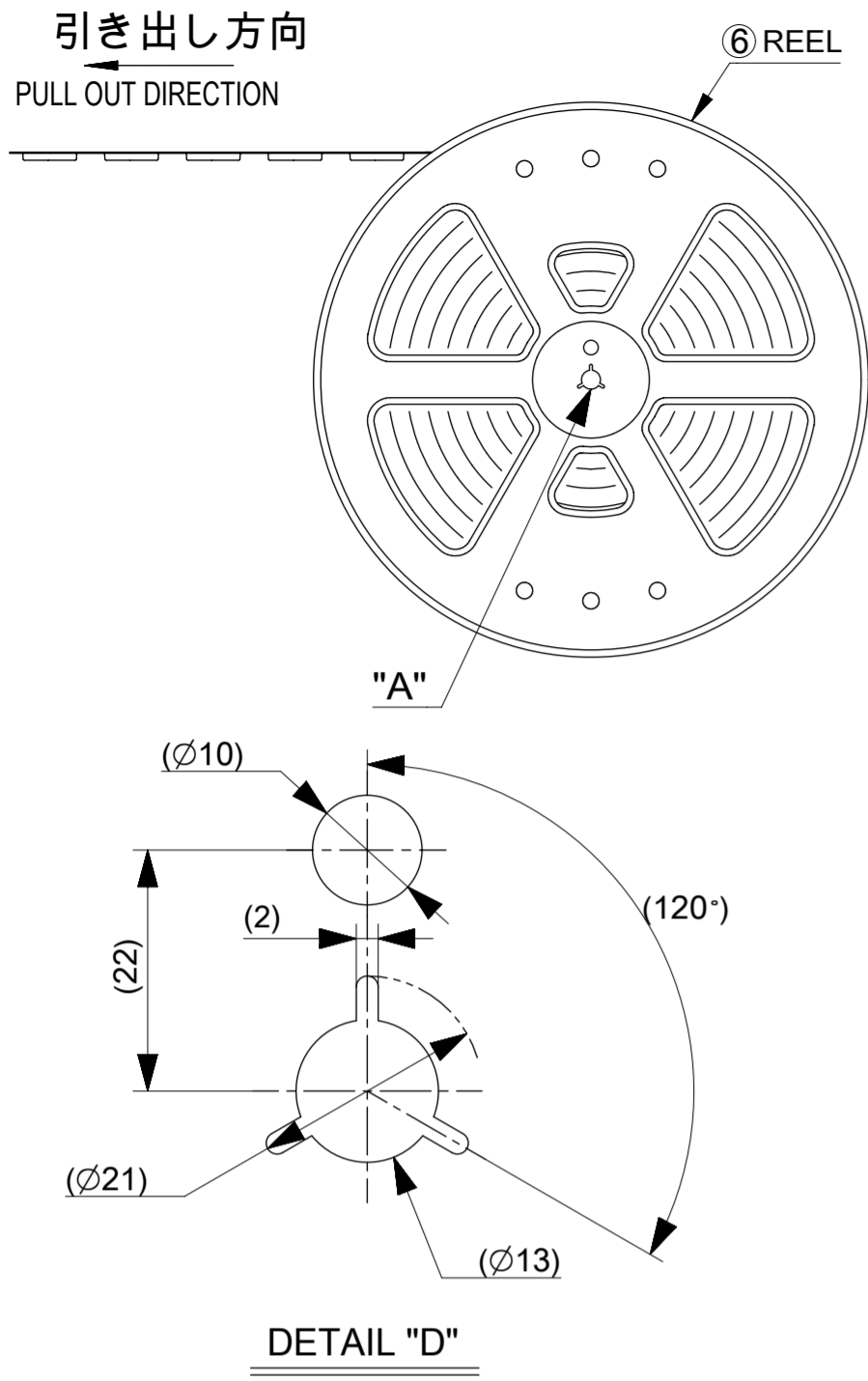


吸着範囲
SUCTION AREA

6	15
6	14
6	13
6	12
6	11
6	10
6	9
6	8
6	7
6	6
6	5
6	4
5	3
2.5	2
D	極数 CIRCUIT SIZE

THIS DRAWING CONTAINS INFORMATION THAT IS PROPRIETARY TO MOLEX ELECTRONIC TECHNOLOGIES, LLC AND SHOULD NOT BE USED WITHOUT WRITTEN PERMISSION													
DIMENSION UNITS		SCALE		CURRENT REV DESC:									
mm		NTS											
GENERAL TOLERANCES (UNLESS SPECIFIED)				molex MINI-LOCK 2.5 SINGLE ROW HEADER ASSEMBLY SMT VT PRODUCT CUSTOMER DRAWING									
ANGULAR TOL		± 3.0°								EC NO: 701596		2021/10/18	
4 PLACES		± 0.2								DRWN: RWATANABE01		2022/03/31	
3 PLACES		± 0.2								CHK'D: AIDA		2022/04/01	
2 PLACES		± 0.2								APPR: SAKIYAMA		2022/04/01	
1 PLACE		± 0.2		INITIAL REVISION:				DOCUMENT NUMBER					
0 PLACES		± 0.2		DRWN: RWATANABE01		2021/10/18		2159310000-SD					
DRAFT WHERE APPLICABLE MUST REMAIN WITHIN DIMENSIONS		THIRD ANGLE PROJECTION		DRAWING		SERIES		MATERIAL NUMBER					
				A2-SIZE		215931		SEE SHEET1					
CUSTOMER				GENERAL		SHEET NUMBER		2 OF 3					

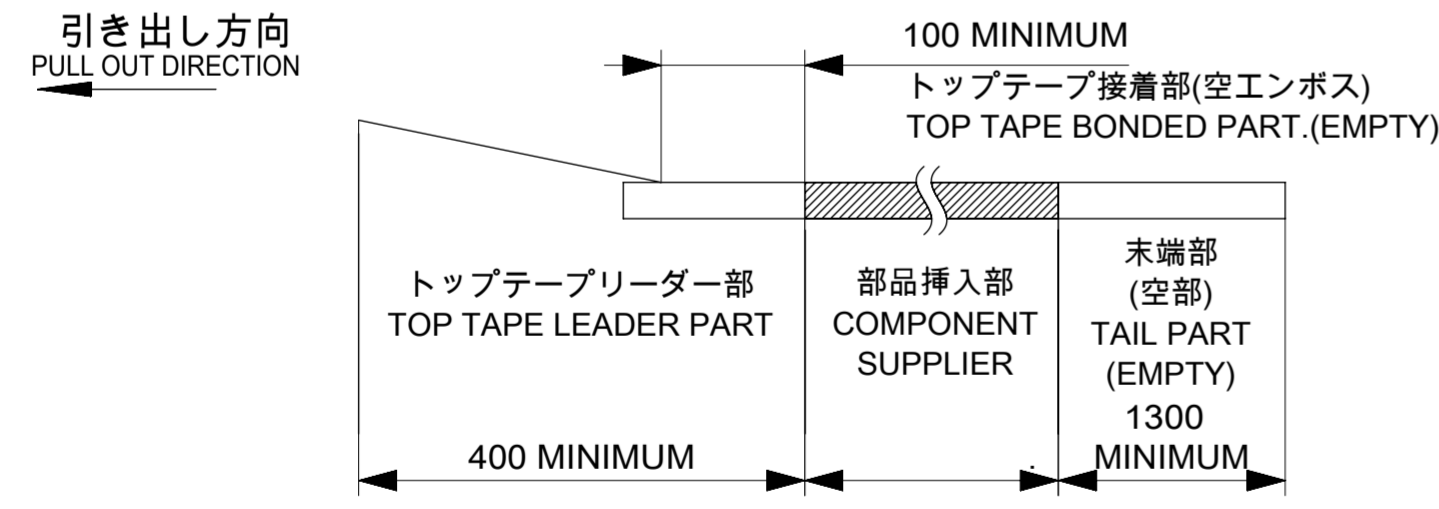
DOCUMENT STATUS	P1	RELEASE DATE	2022/04/01	10:28:19
-----------------	----	--------------	------------	----------



NOTES

9. 梱包数量 : 350個 / リール
NUMBER OF CONNECTORS : 350 PIECES/REEL.

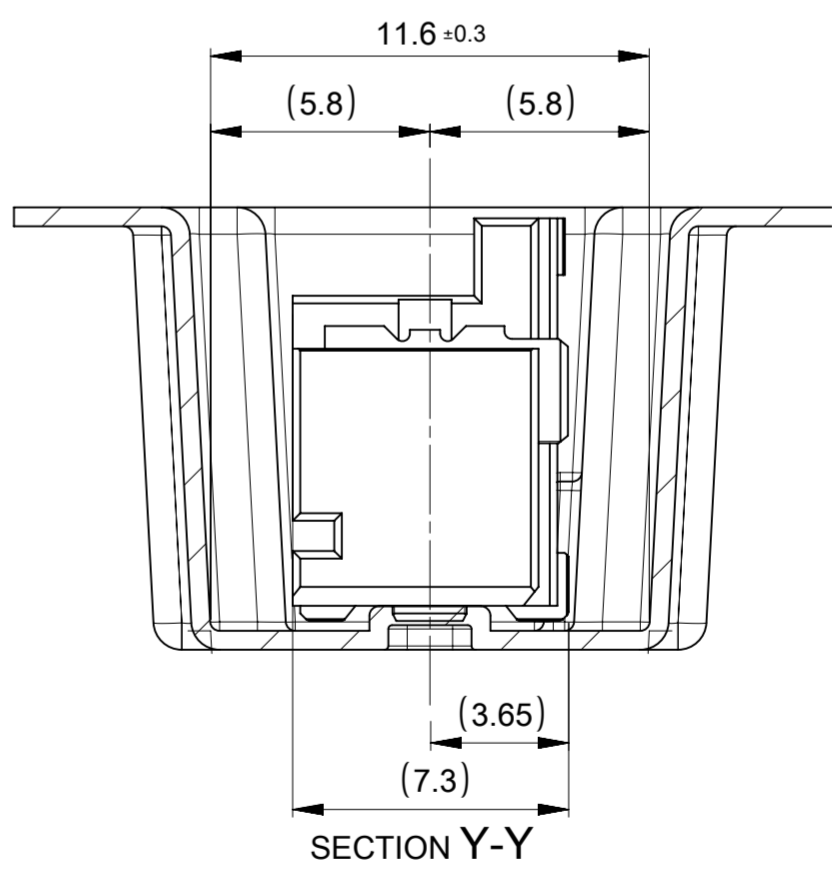
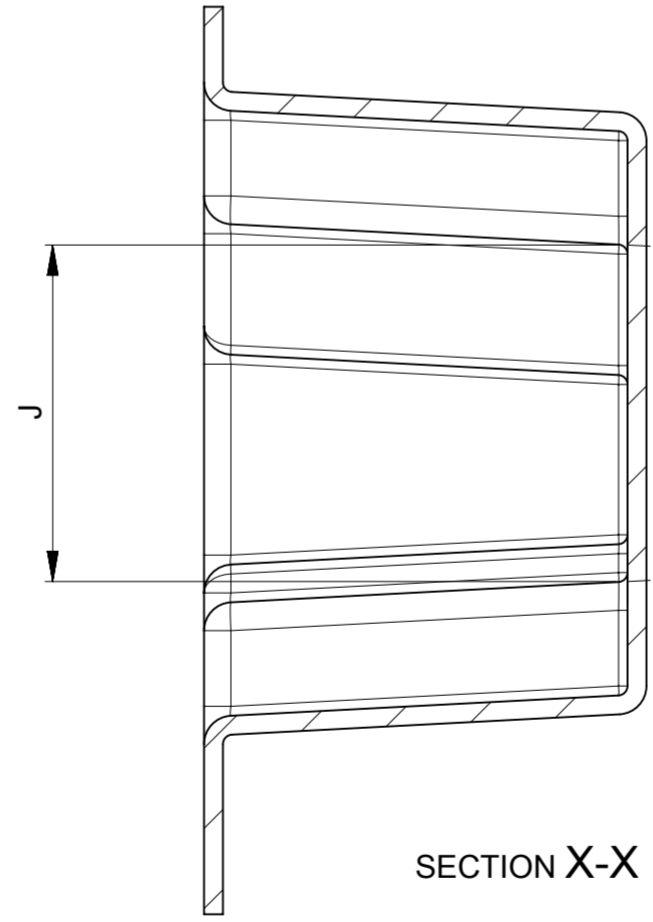
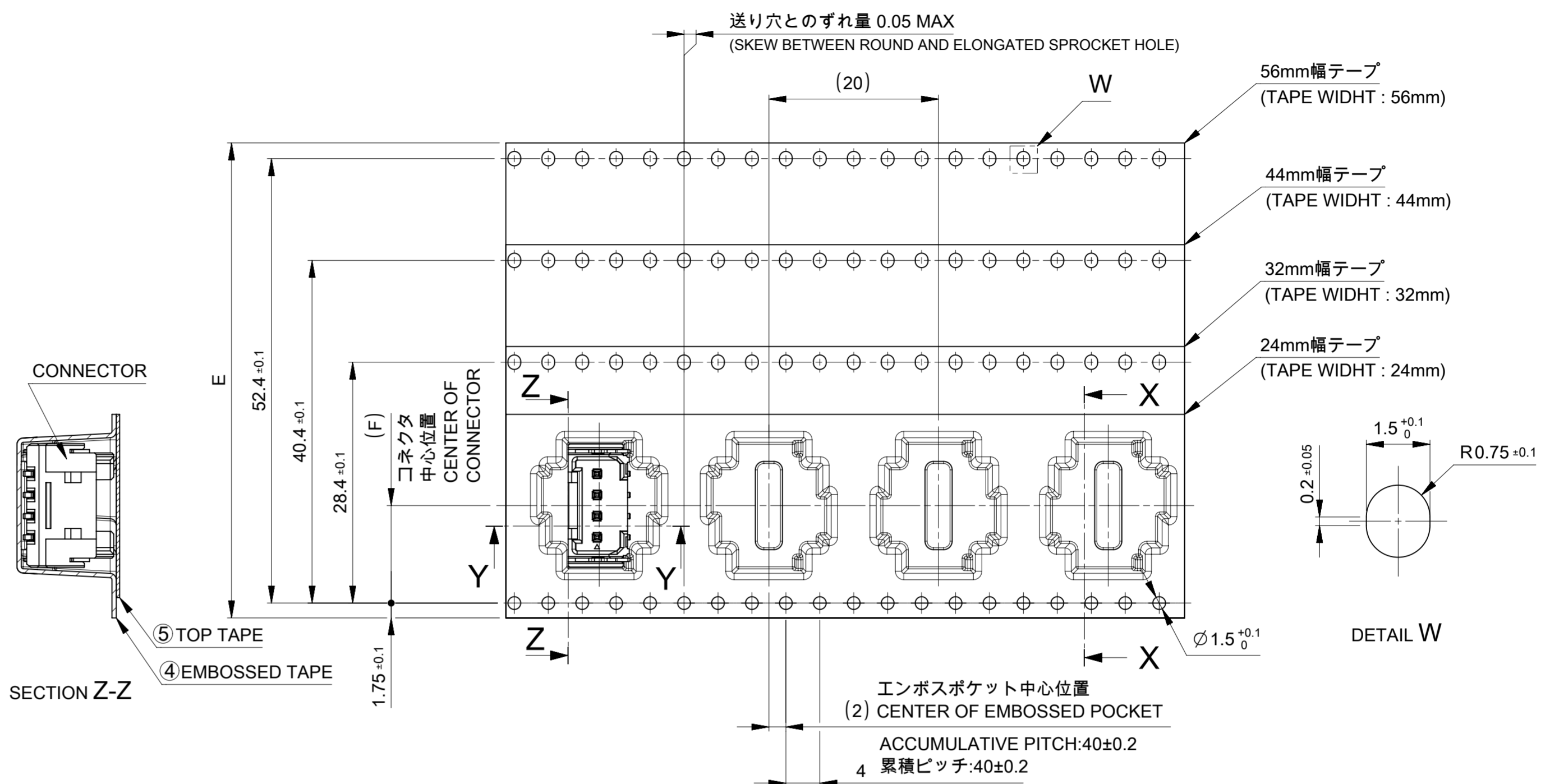
10. リードテープ長さ
LEAD TAPE LENGTH.



11. トップテープの剥離強度はIEC60286-3に準拠
TOP TAPE PEELING FORCE IS DEFINED BY IEC60286-3

12. 梱包仕様書 : 2159319200-SPK 200
PACKAGING SPECIFICATION: 2159319200-SPK 200

引き出し方向
PULL OUT DIRECTION



36.4					15
33.9					14
31.4	61.4	57.4	26.2	56 ± 0.3	13
28.9					12
26.4					11
23.9					10
21.4					9
18.9	49.4	45.4	20.2	44 ± 0.3	8
16.4					7
13.9					6
11.4	37.4	33.4	14.2	32 ± 0.3	5
8.9					4
6.4	29.4	25.4	11.5	24 ^{+0.3} _{-0.1}	3
3.9					2
J	H	G	F	E	極数 CIRCUIT SIZE

THIS DRAWING CONTAINS INFORMATION THAT IS PROPRIETARY TO MOLEX ELECTRONIC TECHNOLOGIES, LLC AND SHOULD NOT BE USED WITHOUT WRITTEN PERMISSION										
DIMENSION UNITS		SCALE		CURRENT REV DESC:						
mm		NTS								
GENERAL TOLERANCES (UNLESS SPECIFIED)										
ANGULAR TOL		± 3.0°		EC NO: 701596						
4 PLACES		± 0.2		DRWN: RWATANABE01		2021/10/18				
3 PLACES		± 0.2		CHK'D: AIDA		2022/03/31				
2 PLACES		± 0.2		APPR: SAKIYAMA		2022/04/01				
1 PLACE		± 0.2		INITIAL REVISION:						
0 PLACES		± 0.2		DRWN: RWATANABE01		2021/10/18				
				APPR: SAKIYAMA		2022/04/01				
DRAFT WHERE APPLICABLE MUST REMAIN WITHIN DIMENSIONS			THIRD ANGLE PROJECTION		DRAWING		SERIES		MATERIAL NUMBER	
					A2-SIZE		215931		SEE SHEET1	
					GENERAL		GENERAL		3 OF 3	

番号 NO.	部品 PART	材質 MATERIAL
④	エンボステープ EMBOSSSED TAPE	ポリスチレン(PS) POLYSTYRENE(PS)
⑤	トップテープ TOP TAPE	ポリエチレン(PE), その他 POLYETHYLENE(PE), ETC
⑥	リール REEL	ポリスチレン(PS) <リサイクル材を含む> POLYSTYRENE(PS) <RECYCLE MATERIAL CONTAINED>

DOCUMENT STATUS	P1	RELEASE DATE	2022/04/01	10:28:19
-----------------	----	--------------	------------	----------