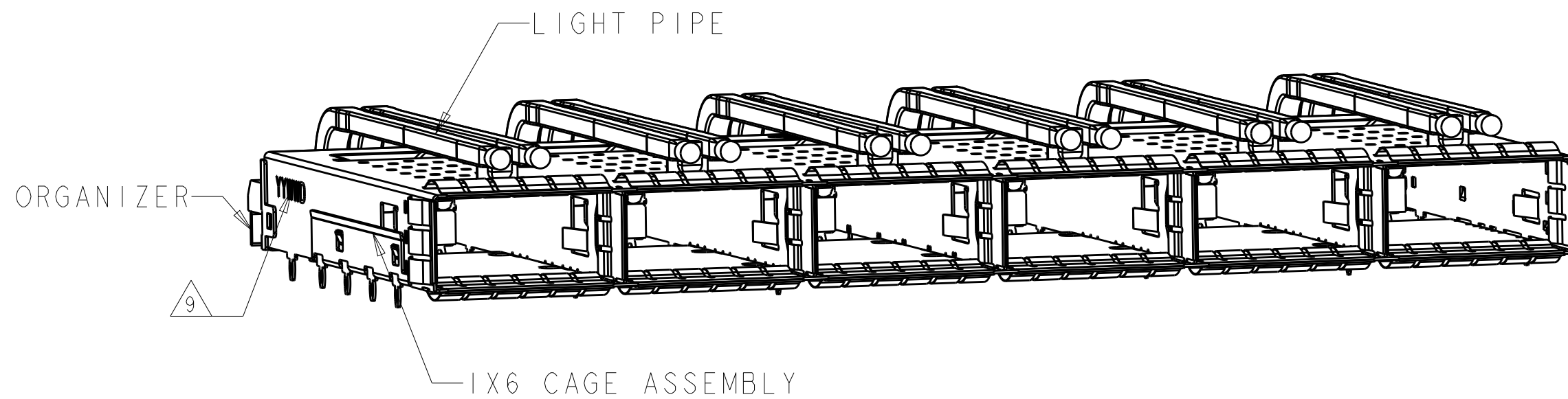
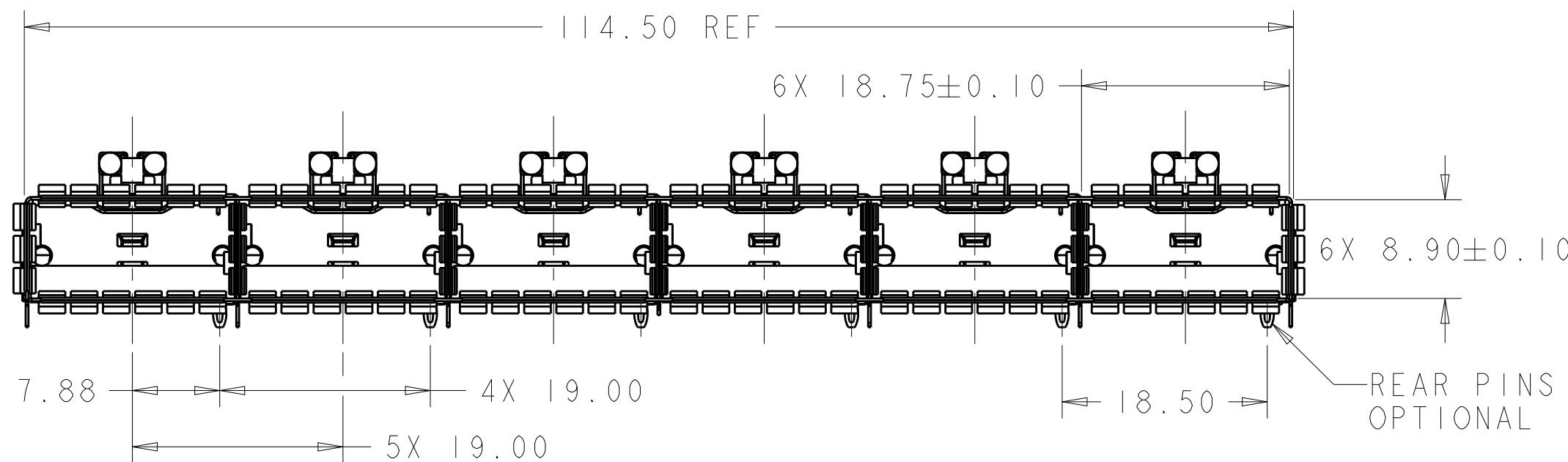


REVISIONS					
P	LTR	DESCRIPTION	DATE	DWN	APVD
A		RELEASE	08NOV2016	JY	SH
B		REVISED PER ECO-20-003007	3MAR2020	JW	SH
BI		REVISED PER ECO-20-012842	11SEP2020	JW	SH
C		REVISED PER ECO-20-015173	12OCT2020	JY	SH

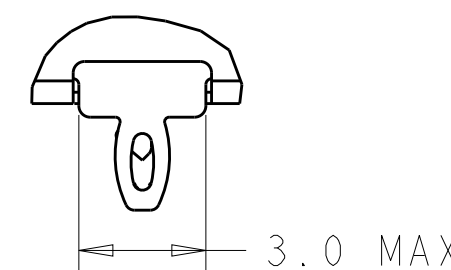
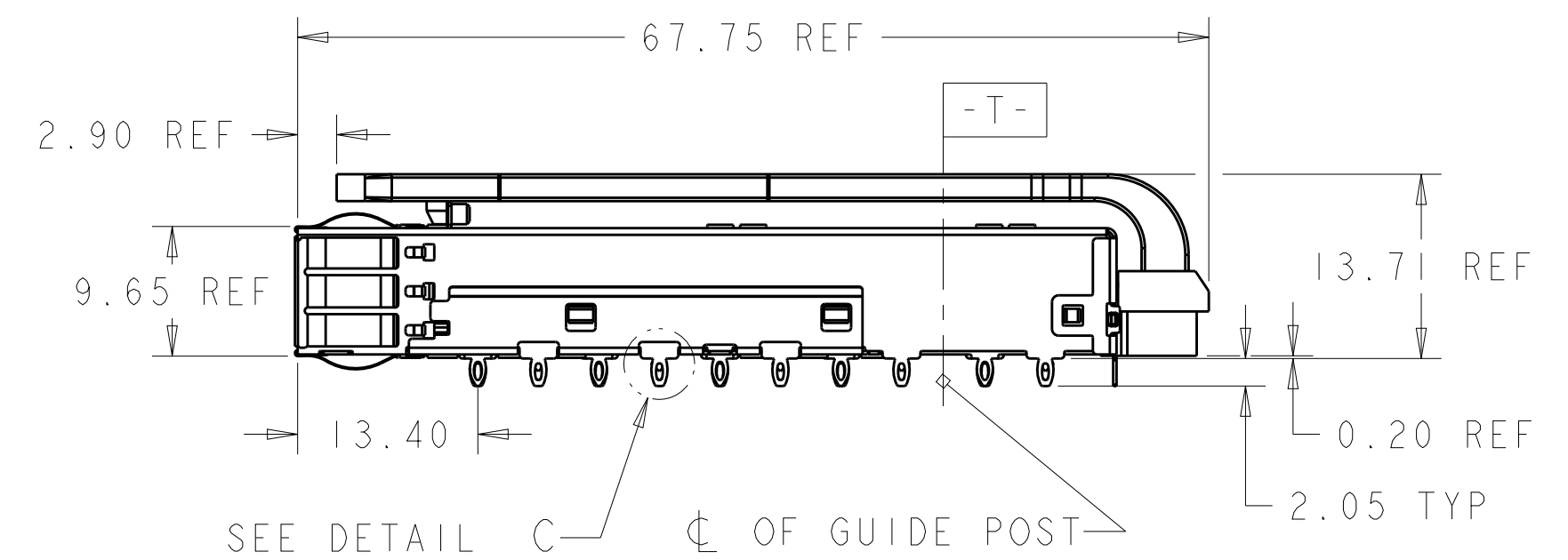


2170734-1 AS SHOWN  
SCALE 2:1

1. COMPONENTS  
CAGE ASSEMBLY: NICKEL-SILVER ALLOY  
EMI SPRING: COPPER ALLOY/NICKEL PLATE  
LIGHT PIPE: CLEAR POLYCARBONATE WITH UL 94 V-0  
ORGANIZER: POLYESTER WITH UL 94 V-0
2. REFERENCE APPLICATION SPECIFICATION 114-32023 FOR RECOMMENDED DRILL HOLE DIAMETER AND PLATING THICKNESS
3. DATUM AND BASIC DIMENSION ESTABLISHED BY CUSTOMER
4. MATES WITH QSFP28 MSA COMPATIBLE TRANSCEIVER.
5. LIGHT PIPES ARE SHIPPED ASSEMBLED ON CAGE
6. MINIMUM PC BOARD THICKNESS: SINGLE SIDED: 1.57 MIN  
DOUBLE SIDED: 2.20 MIN
7. DATUM **-A-** IS TOP SURFACE OF THE HOST BOARD.
8. THESE HOLES ARE OPTIONAL WHEN THE REAR PINS ARE REMOVED.
9. DATE CODE (YYWWD) MARKED APPROXIMATELY AS SHOWN.



SCALE 2:1



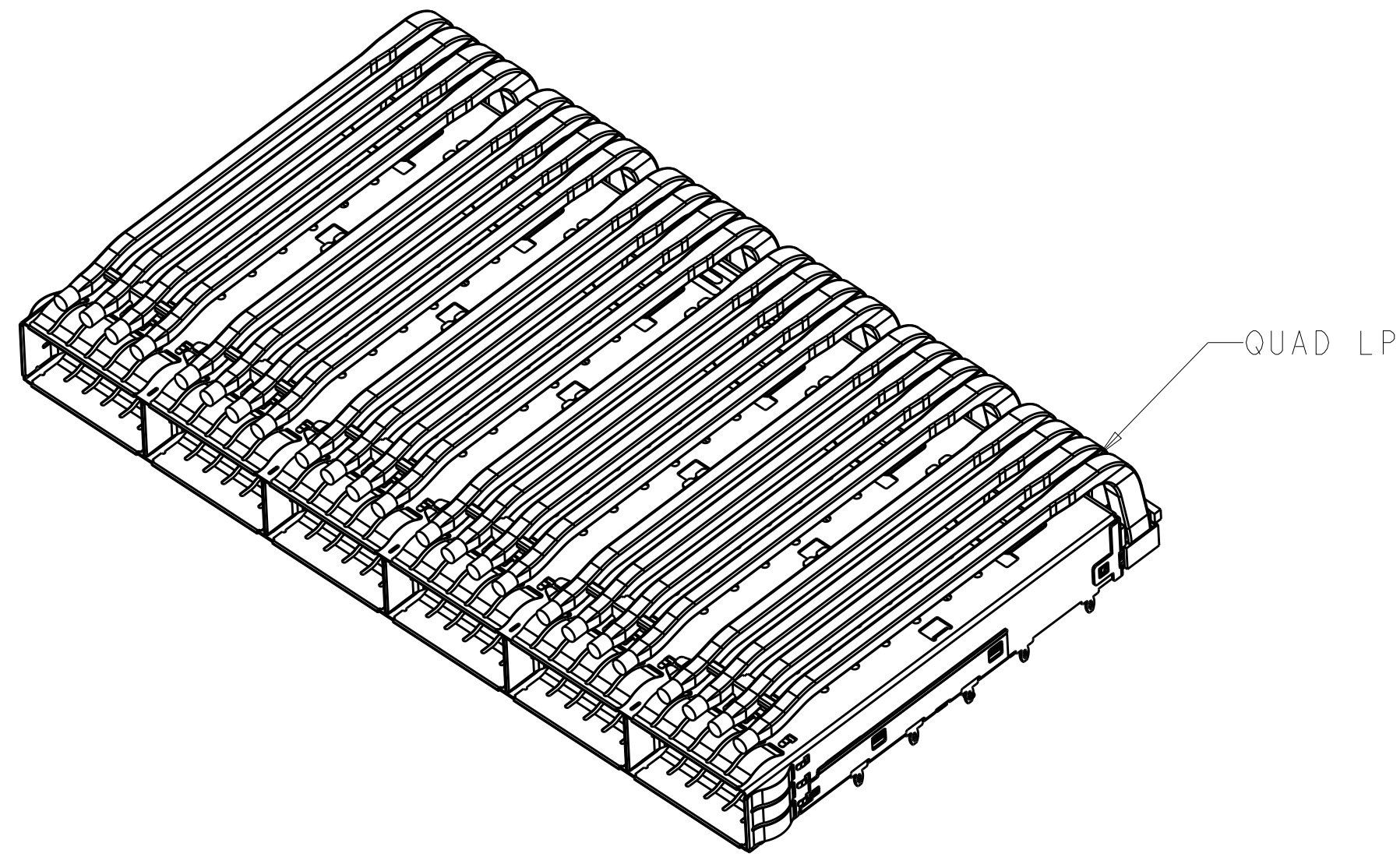
DETAIL C  
SCALE 6:1

SINGLE	WITHOUT	2170734-6
SINGLE	WITH	2170734-5
QUAD	WITHOUT	2170734-4
QUAD	WITH	2170734-3
DUAL	WITHOUT	2170734-2
DUAL	WITH	2170734-1
LIGHT PIPE OPTIONS	REAR PINS OPTIONAL	PART NUMBER

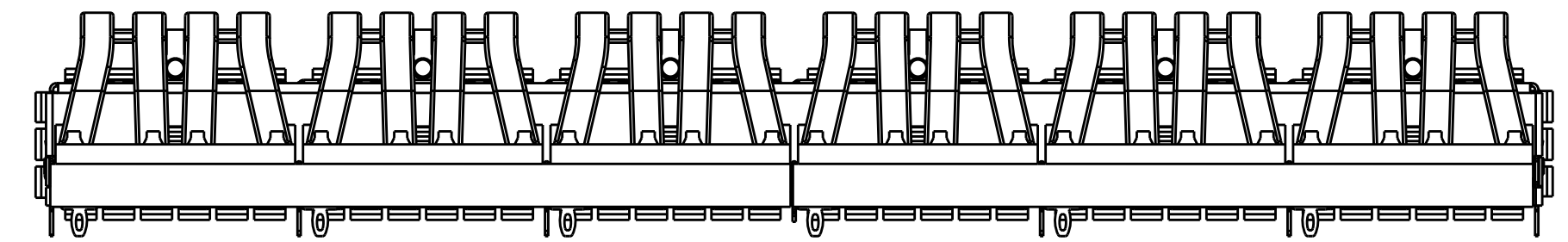
THIS DRAWING IS A CONTROLLED DOCUMENT.		DWN JASON YANG 14FEB2020	TE Connectivity	
DIMENSIONS: mm		CHK SEAN HAN 08NOV2016	NAME RECEPTACLE ASSEMBLY THRU BEZEL IX6, QSFP28 EMI SPRINGS	
TOLERANCES UNLESS OTHERWISE SPECIFIED: 0 PLC ± 1 PLC ±0.5 2 PLC ±0.13 3 PLC ±0.013 4 PLC ±0.0001 ANGLES ± FINISH		APVD -	PRODUCT SPEC 108-19428	RESTRICTED TO
MATERIAL TBD		SEE NOTES	APPLICATION SPEC 114-32023	SIZE A2
			WEIGHT -	CAGE CODE 00779
			CUSTOMER DRAWING	DRAWING NO C-2170734
			SCALE 3:1	SHEET 1 OF 10 REV C

2170734-3 WITH REAR PINS  
 2170734-4 WITHOUT REAR PINS

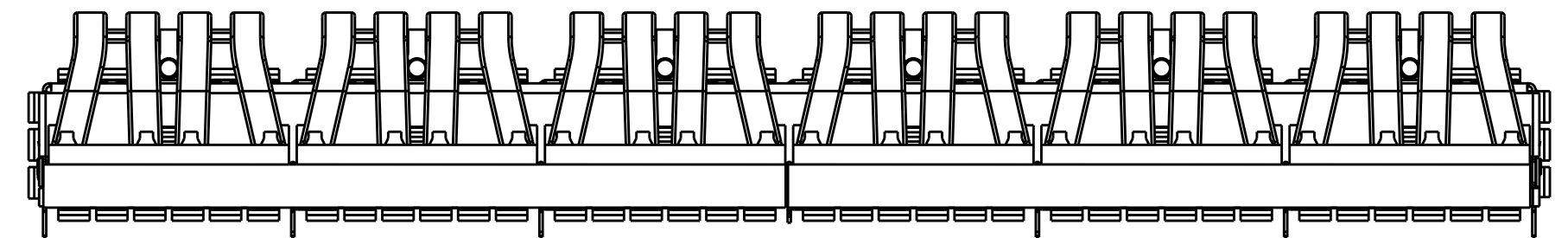
REVISIONS				
P	LTR	DESCRIPTION	DATE	APVD
-		SEE SHEET 1	-	-



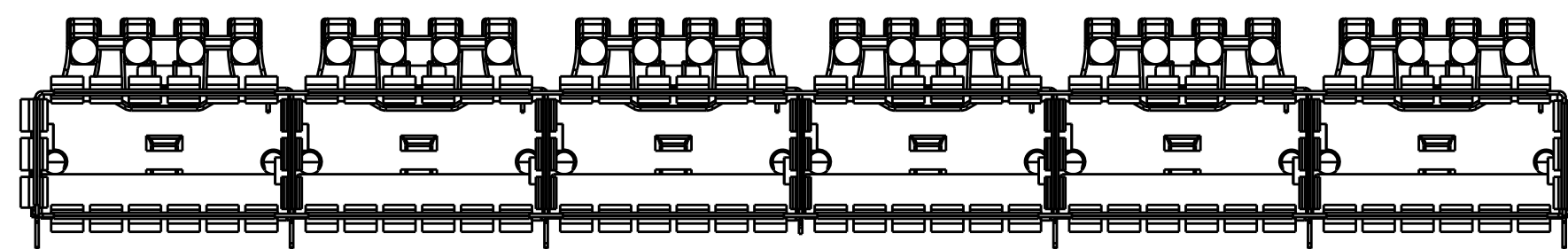
2170734-3/4  
 UNSPECIFIED DIMENSIONS ARE SAME AS 2170734-1  
 SCALE 3:2



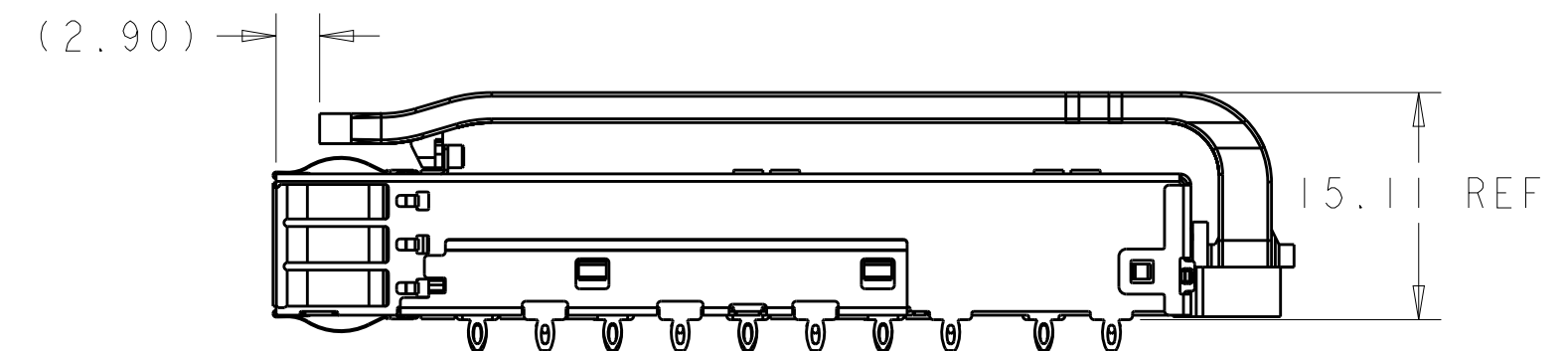
BACK VIEW  
 2170734-3 WITH REAR PINS  
 SCALE 2:1



BACK VIEW  
 2170734-4 WITHOUT REAR PINS  
 SCALE 2:1



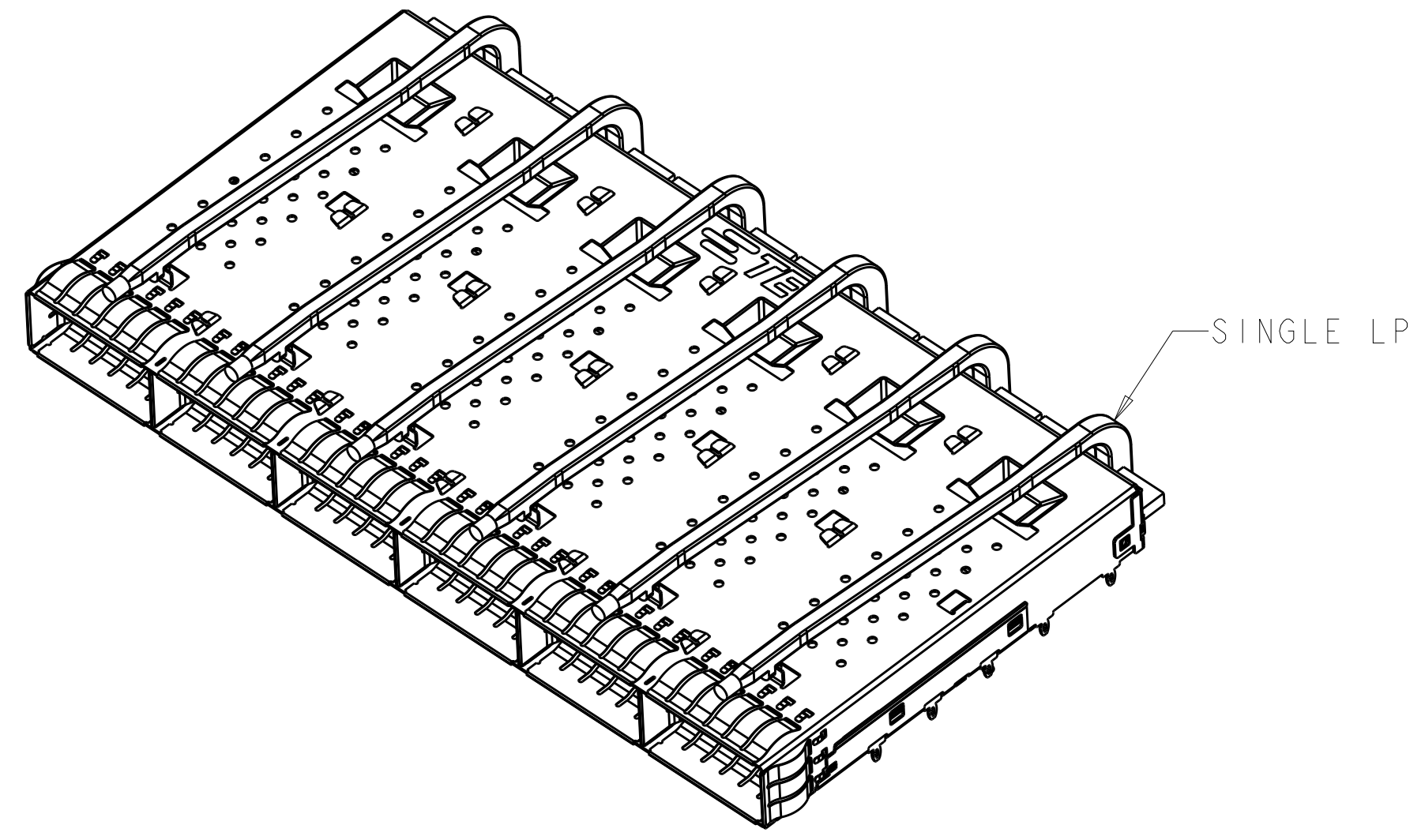
SCALE 2:1



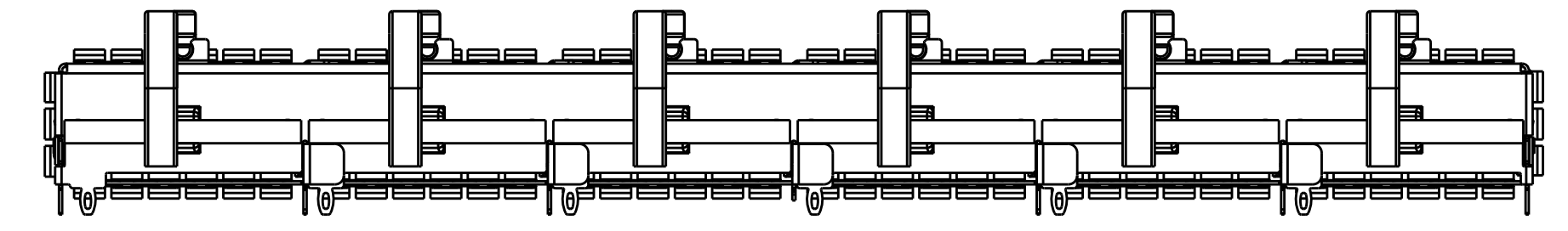
THIS DRAWING IS A CONTROLLED DOCUMENT.		DWN 14FEB2020 JASON YANG		
		CHK 08NOV2016 SEAN HAN		
DIMENSIONS:	TOLERANCES UNLESS OTHERWISE SPECIFIED:	APVD -	NAME	RESTRICTED TO
mm	0 PLC ± 1 PLC ±0.5 2 PLC ±0.13 3 PLC ±0.013 4 PLC ±0.001	PRODUCT SPEC 108-19428	RECEPTACLE ASSEMBLY THRU BEZEL 1X6, QSFP28 EMI SPRINGS	
	ANGLES ± FINISH	APPLICATION SPEC 114-32023	SIZE CAGE CODE DRAWING NO	
MATERIAL	SEE NOTES	WEIGHT -	A200779 C-2170734	
		CUSTOMER DRAWING	SCALE 3:1 SHEET 2 OF 10 REV C	

2170734-5 WITH REAR PINS  
2170734-6 WITHOUT REAR PINS

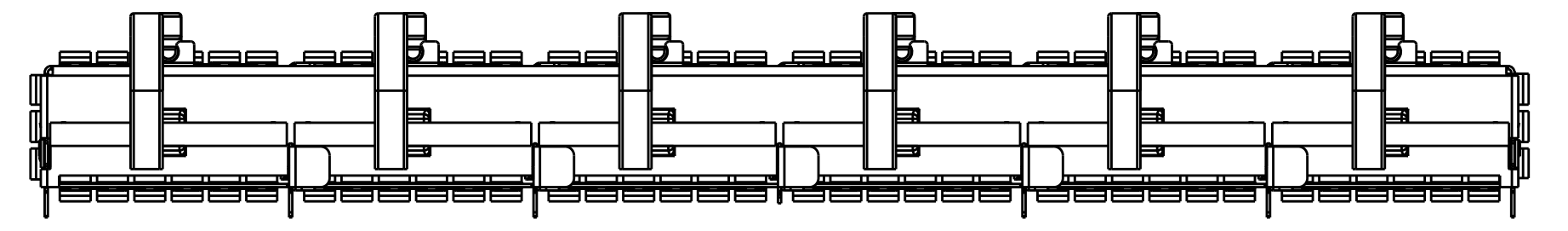
REVISIONS				
P	LTR	DESCRIPTION	DATE	APVD
-		SEE SHEET 1	-	-



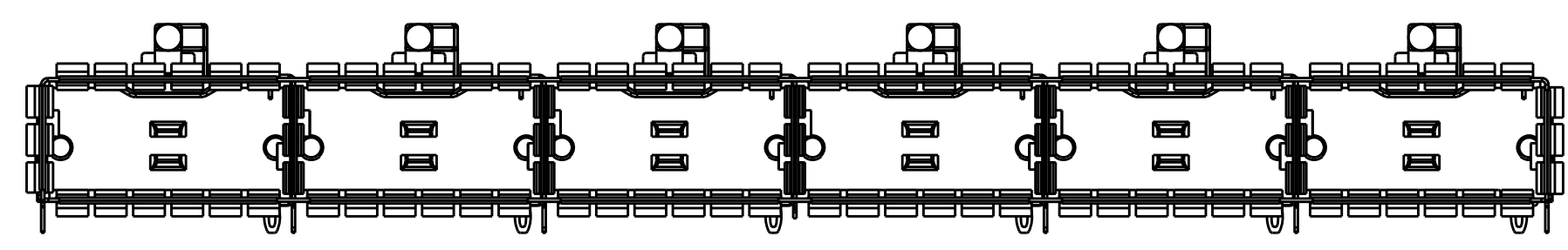
2170734-5/6  
UNSPECIFIED DIMENSIONS ARE SAME AS 2170734-1  
SCALE 3:2



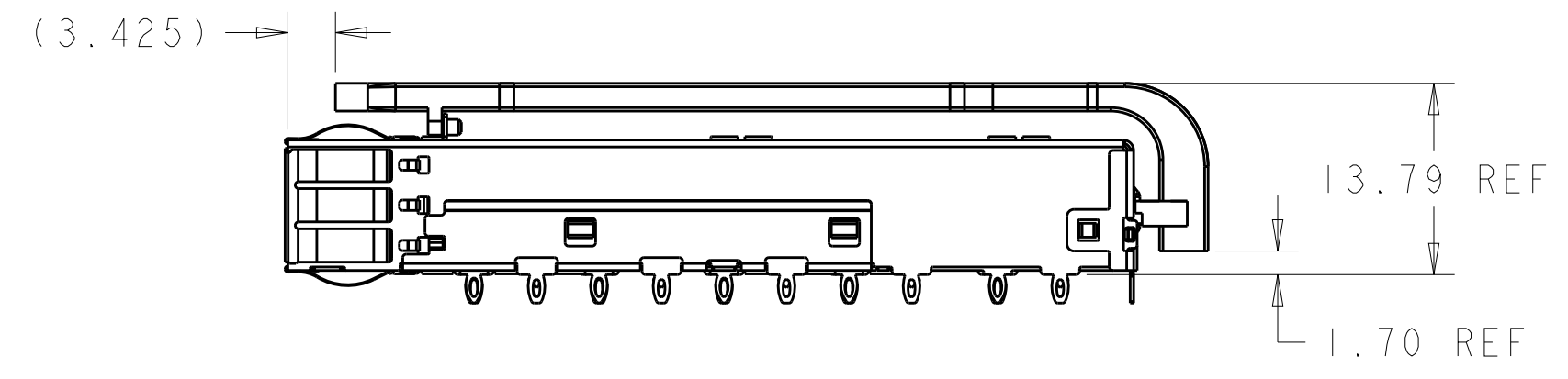
BACK VIEW  
2170734-5 WITH REAR PINS  
SCALE 2:1



BACK VIEW  
2170734-6 WITHOUT REAR PINS  
SCALE 2:1

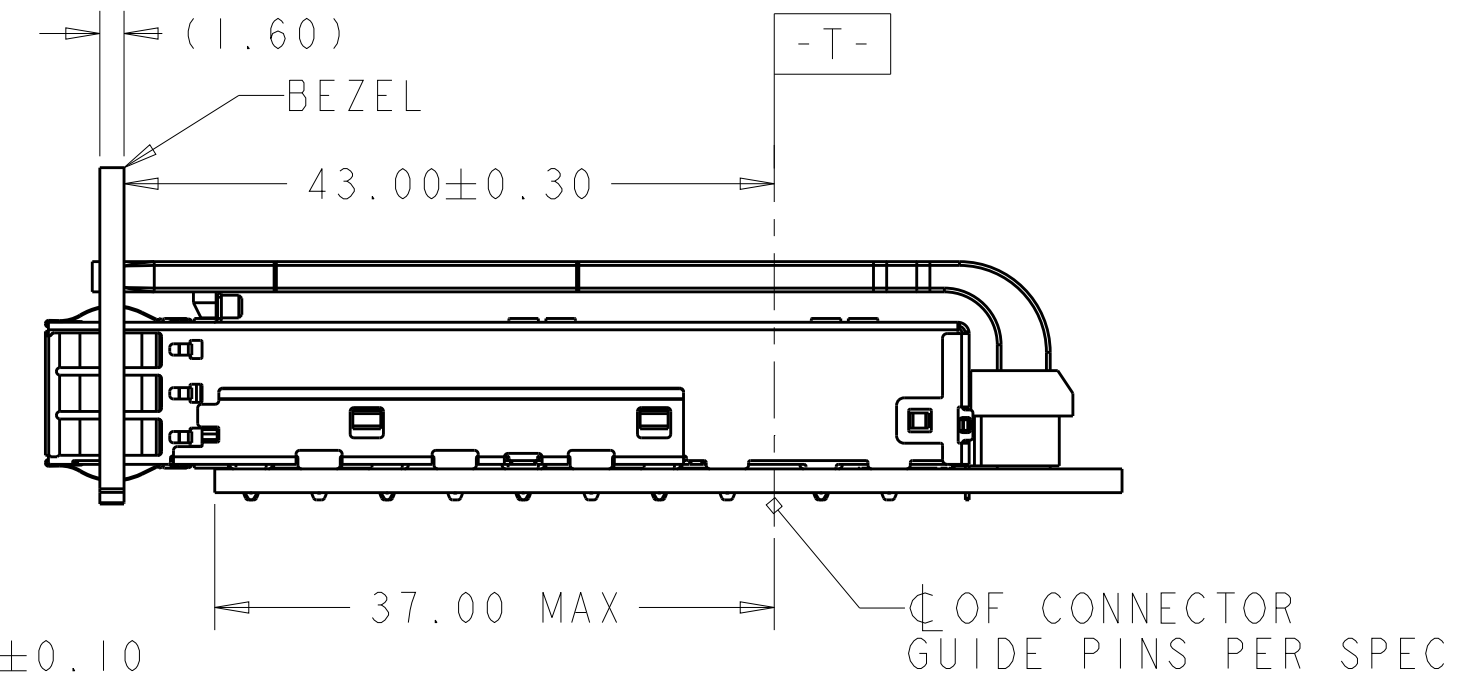
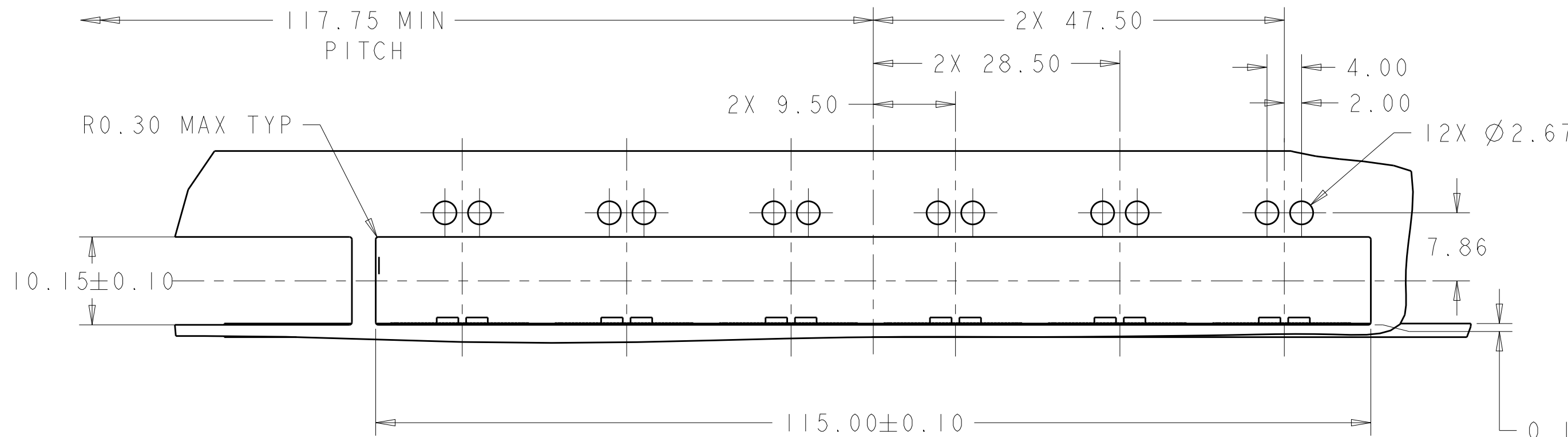


SCALE 2:1

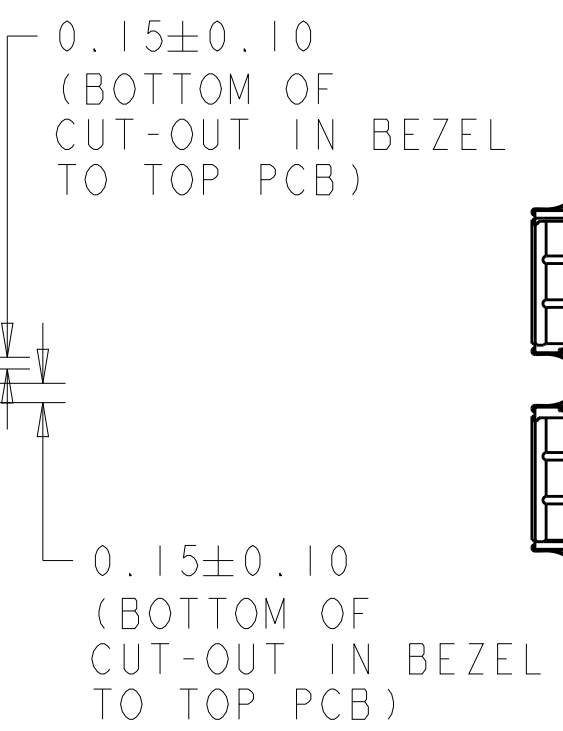
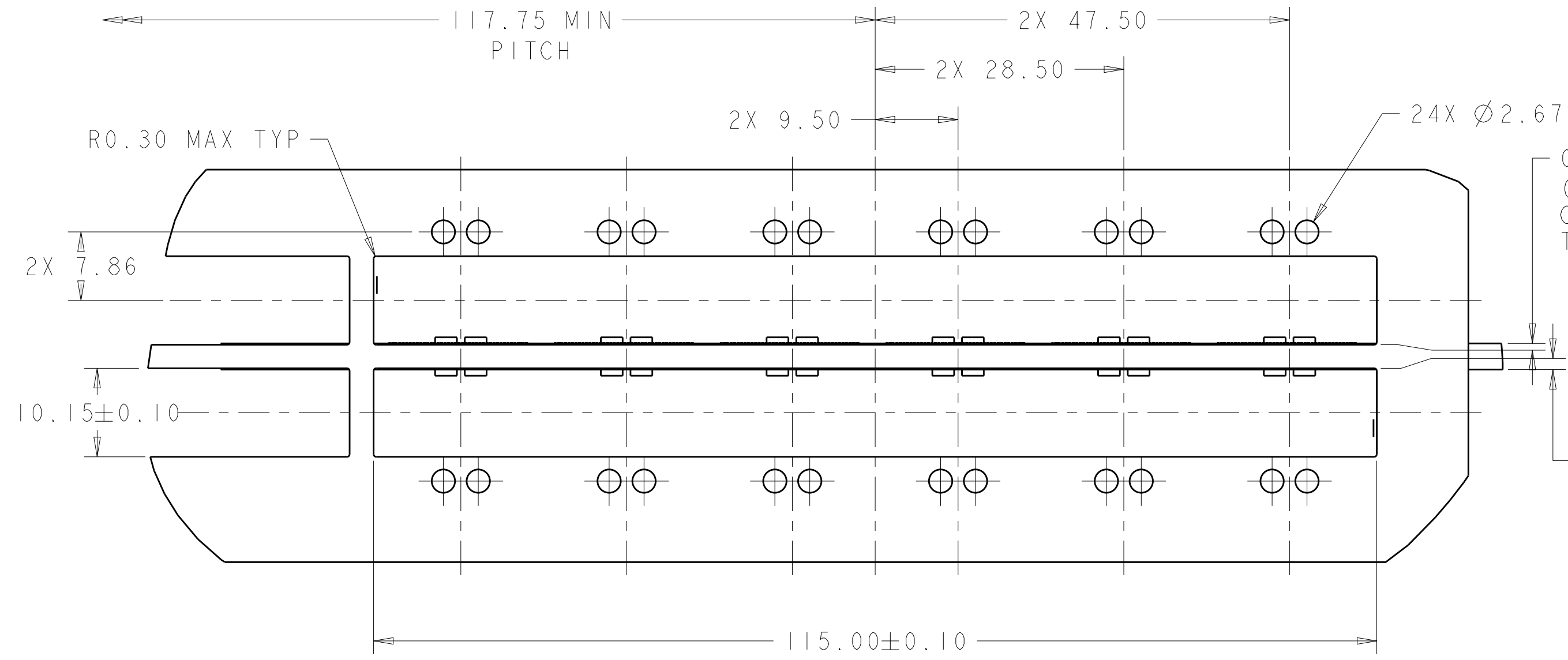


THIS DRAWING IS A CONTROLLED DOCUMENT.		DWN 14FEB2020 JASON YANG	TE Connectivity	
		CHK 08NOV2016 SEAN HAN		
DIMENSIONS:	TOLERANCES UNLESS OTHERWISE SPECIFIED:	APVD -	NAME RECEPTACLE ASSEMBLY THRU BEZEL 1X6, QSFP28 EMI SPRINGS	
mm	0 PLC ± 1 PLC ±0.5 2 PLC ±0.13 3 PLC ±0.013 4 PLC ±0.0001 ANGLES ± FINISH	PRODUCT SPEC 108-19428	SIZE A200779	CAGE CODE C-2170734
MATERIAL TBD	SEE NOTES	APPLICATION SPEC 114-32023	DRAWING NO. RESTRICTED TO	
		WEIGHT -	SCALE 3:1 SHEET 3 OF 10 REV C	
		CUSTOMER DRAWING		

REVISIONS				
P	LTR	DESCRIPTION	DATE	APVD
-		SEE SHEET 1	-	-



SINGLE SIDE MOUNTING  
SCALE 2:1

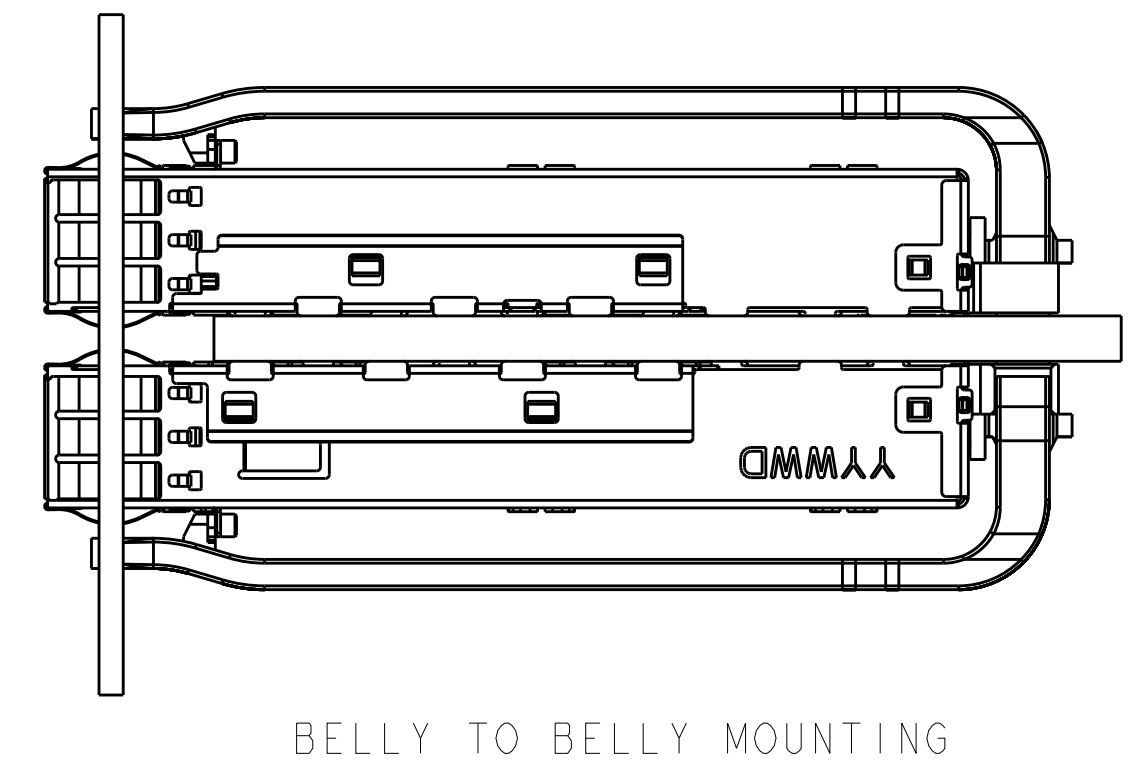
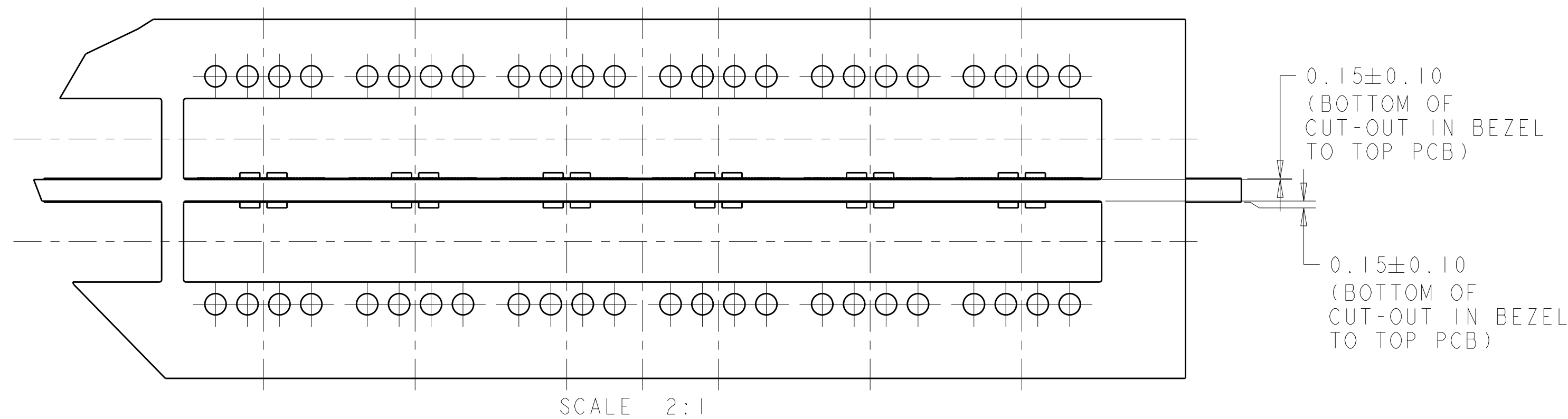
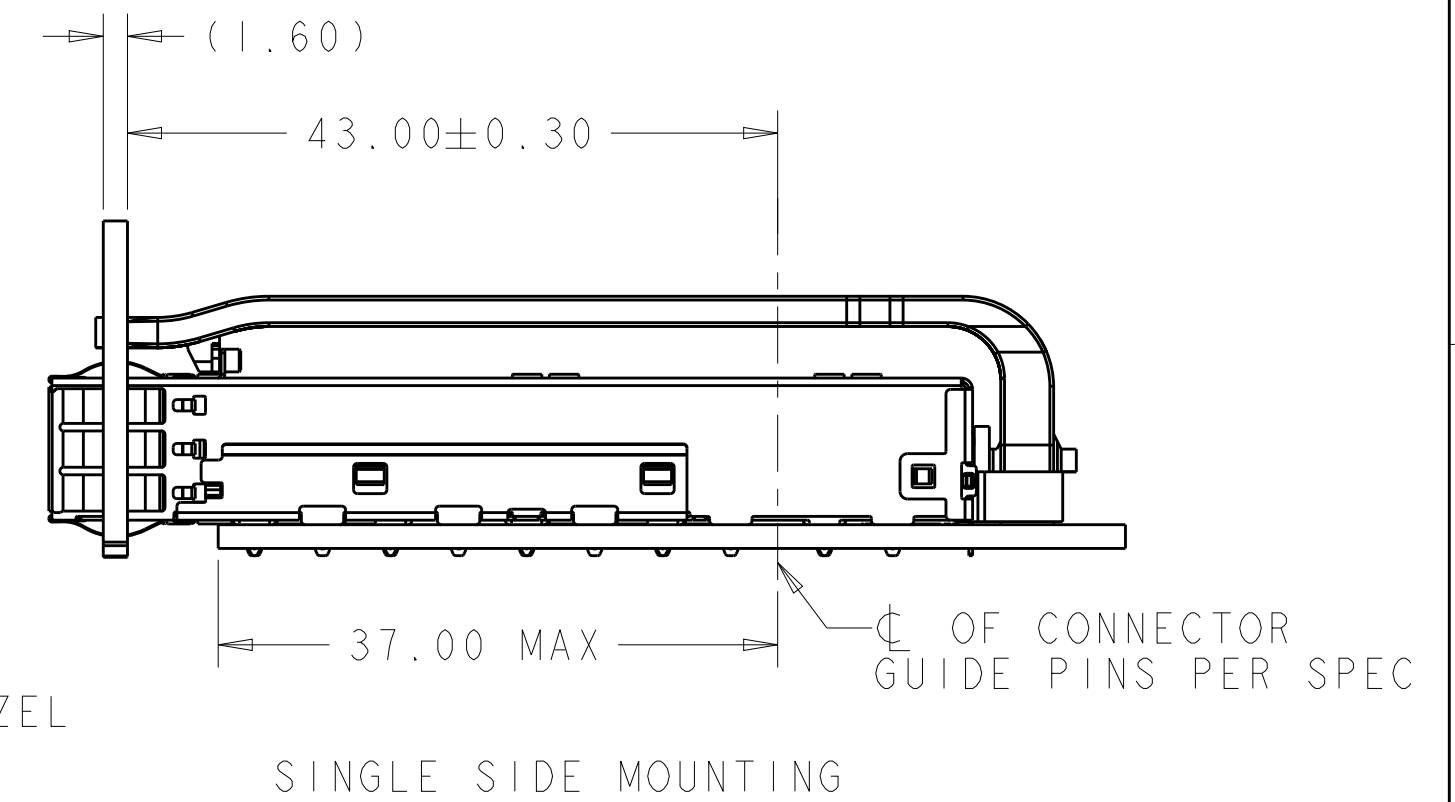
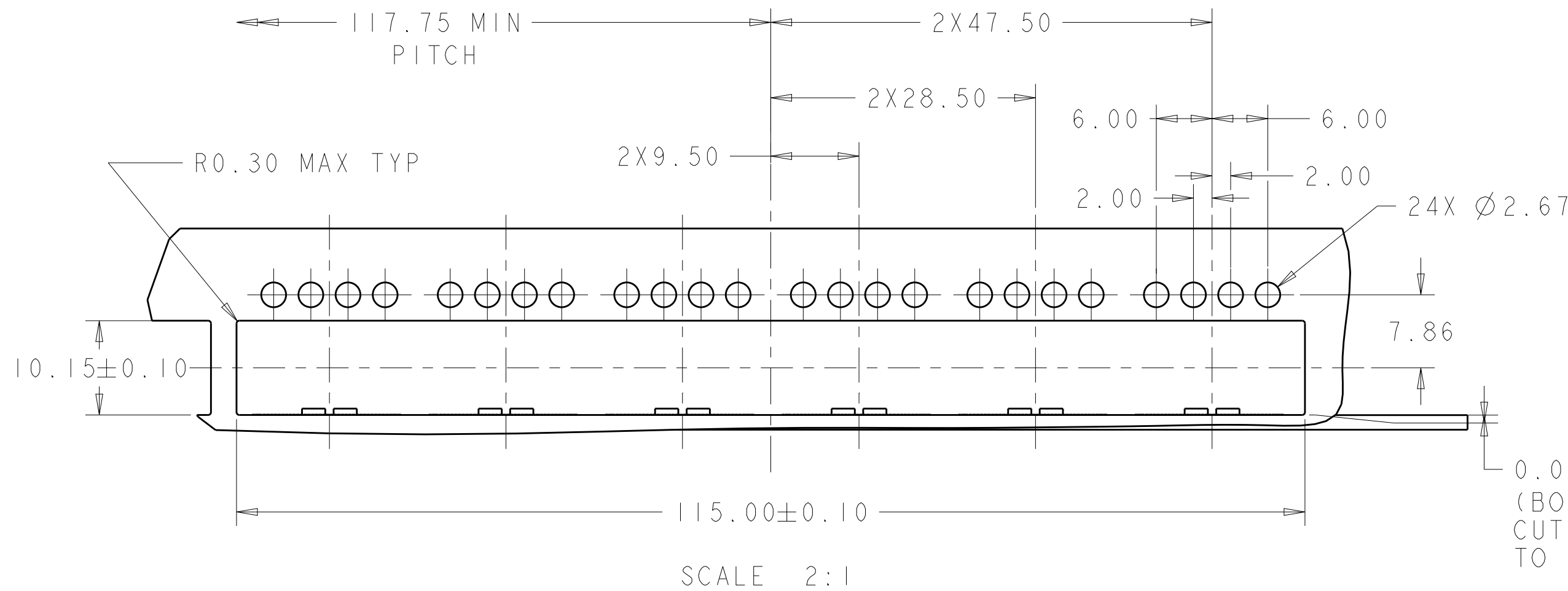


BELLY TO BELLY MOUNTING  
SCALE 2:1

2170734-1 AND 2170734-2

THIS DRAWING IS A CONTROLLED DOCUMENT.		DWN JASON YANG 14FEB2020	TE Connectivity	
		CHK SEAN HAN 08NOV2016		
DIMENSIONS:	TOLERANCES UNLESS OTHERWISE SPECIFIED:	APVD	NAME	
mm	0 PLC ± 1 PLC ±0.5 2 PLC ±0.13 3 PLC ±0.013 4 PLC ±0.0001 ANGLES ± FINISH	PRODUCT SPEC 108-19428	RECEPTACLE ASSEMBLY THRU BEZEL 1X6, QSFP28 EMI SPRINGS	
MATERIAL	SEE NOTES	APPLICATION SPEC 114-32023	SIZE	RESTRICTED TO
TBD		WEIGHT	A200779	
		CUSTOMER DRAWING	C-2170734	
		SCALE	SHEET	REV
		3:1	4 OF 10	C

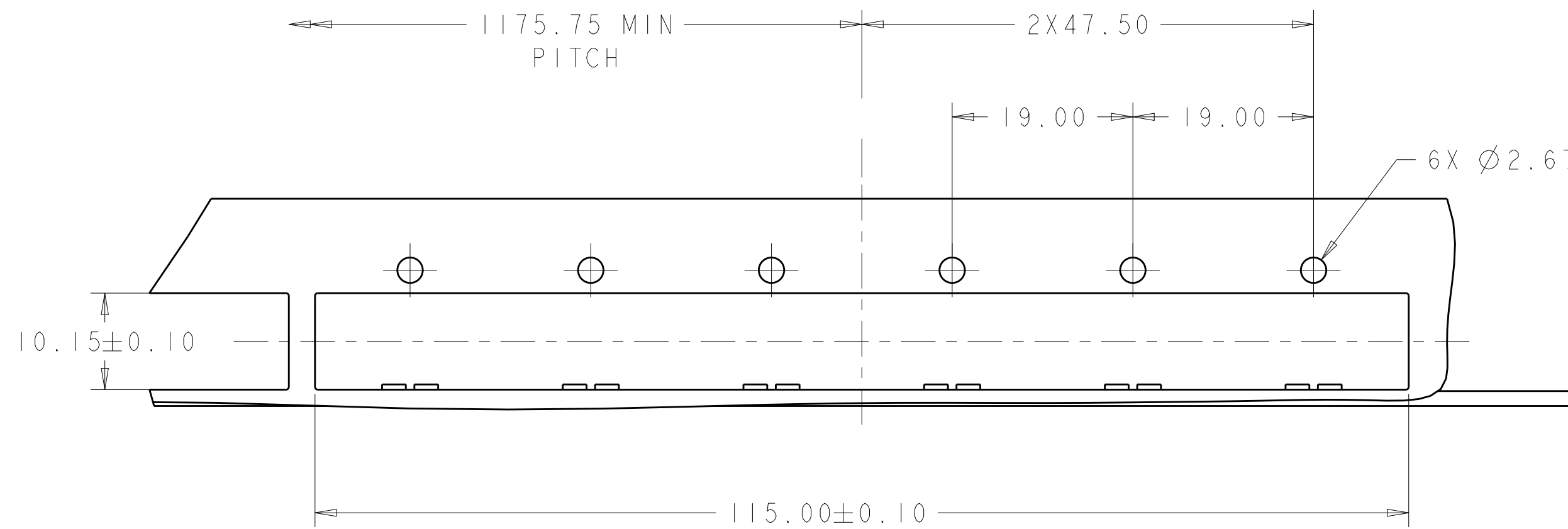
REVISIONS				
P	LTR	DESCRIPTION	DATE	APVD
-	-	SEE SHEET 1	-	-



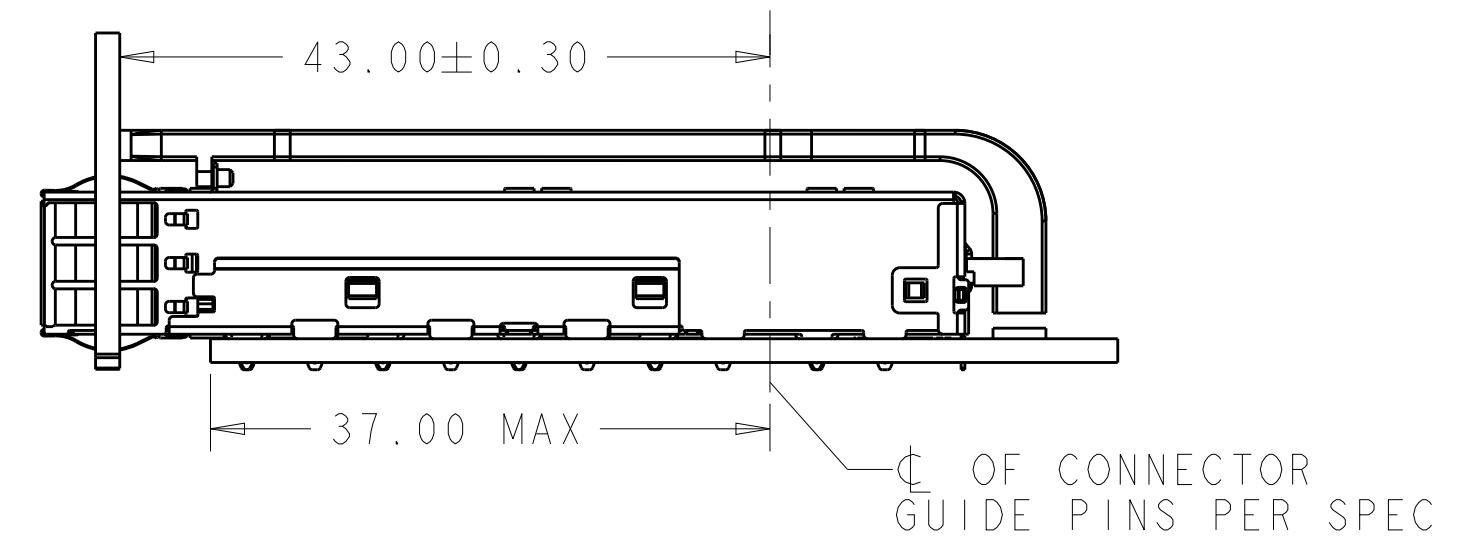
2170734-3 AND 2170734-4

THIS DRAWING IS A CONTROLLED DOCUMENT.		DWN 14FEB2020 JASON YANG	TE Connectivity	
		CHK 08NOV2016 SEAN HAN		
DIMENSIONS:	TOLERANCES UNLESS OTHERWISE SPECIFIED:	APVD -	NAME RECEPTACLE ASSEMBLY THRU BEZEL 1X6, QSFP28 EMI SPRINGS	
mm	0 PLC ± 1 PLC ±0.5 2 PLC ±0.13 3 PLC ±0.013 4 PLC ±0.0001	PRODUCT SPEC 108-19428	SIZE CAGE CODE DRAWING NO	
MATERIAL TBD	FINISH SEE NOTES	APPLICATION SPEC 114-32023	A200779 C-2170734	
		WEIGHT -	RESTRICTED TO	
		CUSTOMER DRAWING	SCALE 3:1	SHEET 5 OF 10 REV C

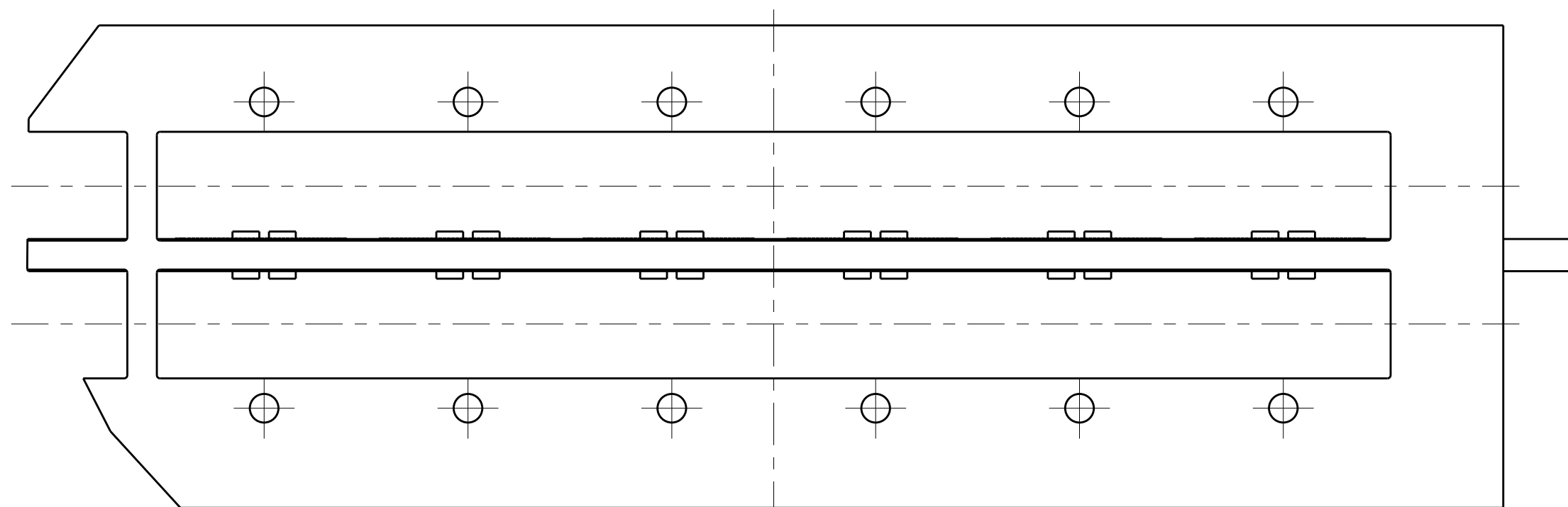
REVISIONS				
P	LTR	DESCRIPTION	DATE	APVD
-		SEE SHEET 1	-	-



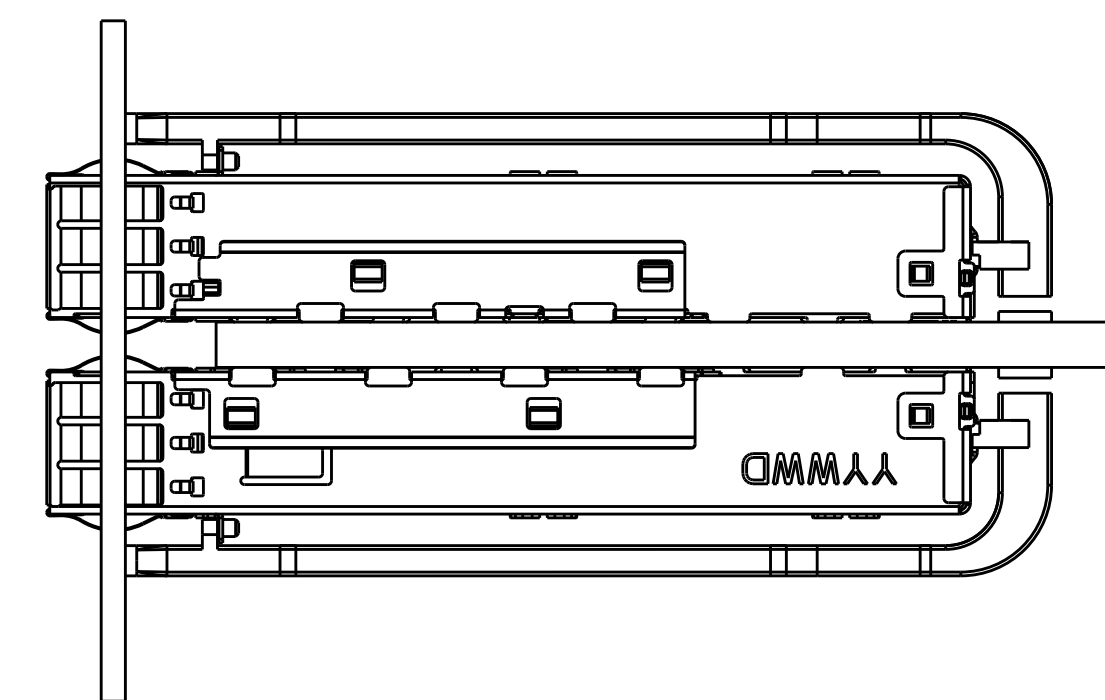
SCALE 2:1



SINGLE SIDE MOUNTING



SCALE 2:1

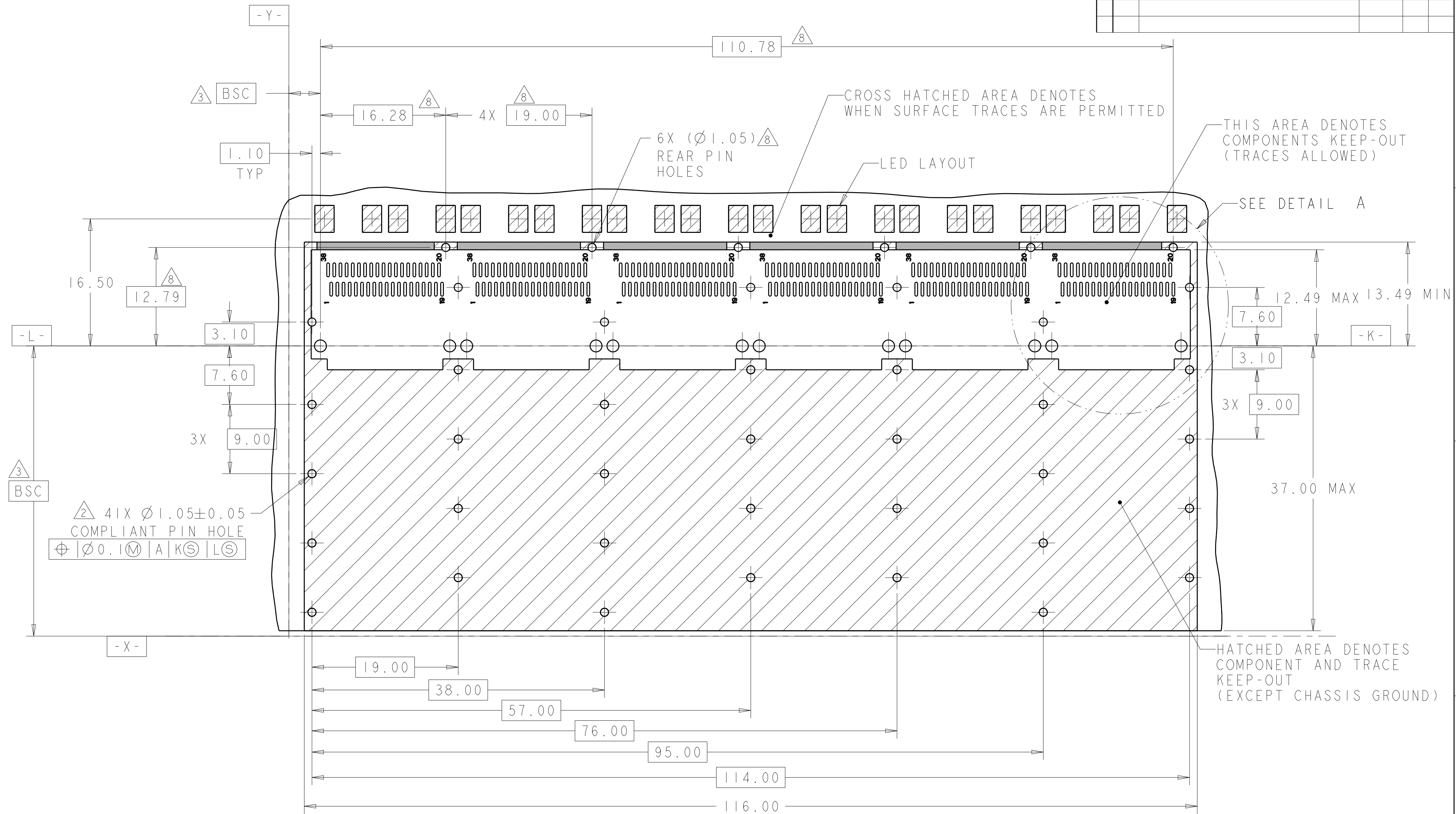


BELLY TO BELLY MOUNTING

2170734-5 AND 2170734-6

THIS DRAWING IS A CONTROLLED DOCUMENT.		DWN JASON YANG 14FEB2020	TE Connectivity	
		CHK SEAN HAN 08NOV2016		
DIMENSIONS:	TOLERANCES UNLESS OTHERWISE SPECIFIED:	APVD	NAME	
mm	0 PLC ±	-	RECEPTACLE ASSEMBLY	
	1 PLC ±0.5	PRODUCT SPEC	THRU BEZEL 1X6, QSFP28	
	2 PLC ±0.13	108-19428	EMI SPRINGS	
	3 PLC ±0.013	APPLICATION SPEC	SIZE	CAGE CODE
	4 PLC ±0.0001	114-32023	A2	00779
MATERIAL	FINISH	WEIGHT	DRAWING NO	
TBD	SEE NOTES	-	C-2170734	
		CUSTOMER DRAWING	SCALE	SHEET
			3:1	6 OF 10
				REV C

REVISIONS				
P	LTR	DESCRIPTION	DATE	APVD
-	-	SEE SHEET 1	-	-



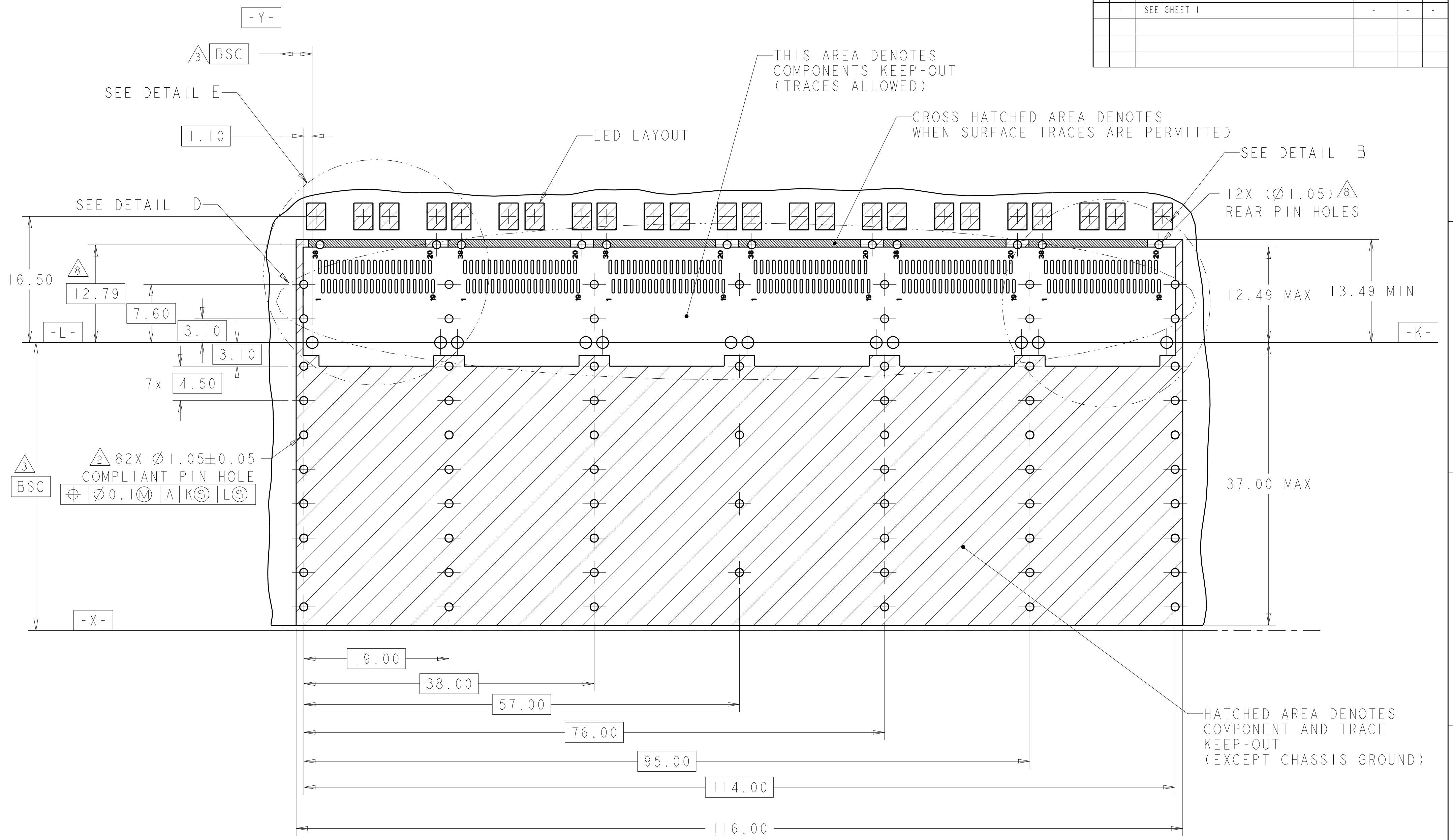
RECOMMENDED PCB LAYOUT  
 SINGLE TYPE  
 PCB TOLERANCE: ±0.05  
 SCALE 3:1

THIS DRAWING IS A CONTROLLED DOCUMENT.	
DIMENSIONS:	TOLERANCES UNLESS OTHERWISE SPECIFIED:
mm	0 PLC ±
	1 PLC ±0.5
	2 PLC ±0.13
	3 PLC ±0.013
	4 PLC ±0.0001
	ANGLES ±
MATERIAL	FINISH
TBD	SEE NOTES

DWN	14FEB2020
JASON YANG	
CHK	08NOV2016
SEAN HAN	
APVD	-
PRODUCT SPEC	108-19428
APPLICATION SPEC	114-32023
WEIGHT	-
CUSTOMER DRAWING	

TE Connectivity		NAME	
		RECEPTACLE ASSEMBLY THRU BEZEL 1X6, QSFP28 EMI SPRINGS	
SIZE	CAGE CODE	DRAWING NO	RESTRICTED TO
A2	00779	C-2170734	
SCALE	3:1	SHEET	7 OF 10
REV	C		

REVISIONS				
P	LTR	DESCRIPTION	DATE	APVD
-	-	SEE SHEET 1	-	-

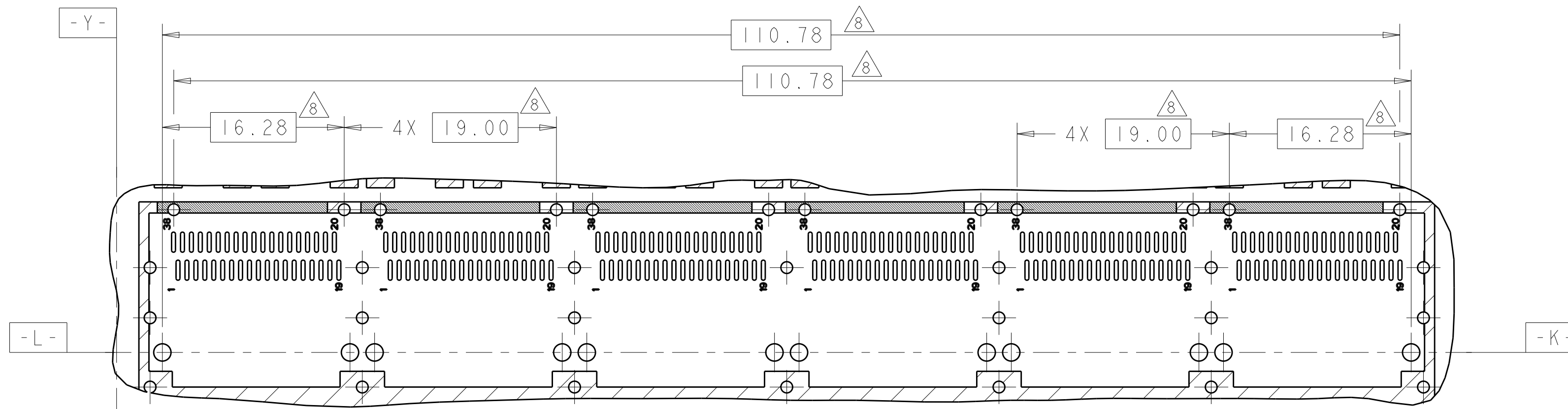


RECOMMENDED PCB LAYOUT  
 BELLY TO BELLY TYPE  
 PCB TOLERANCE: ±0.05  
 SCALE 3:1

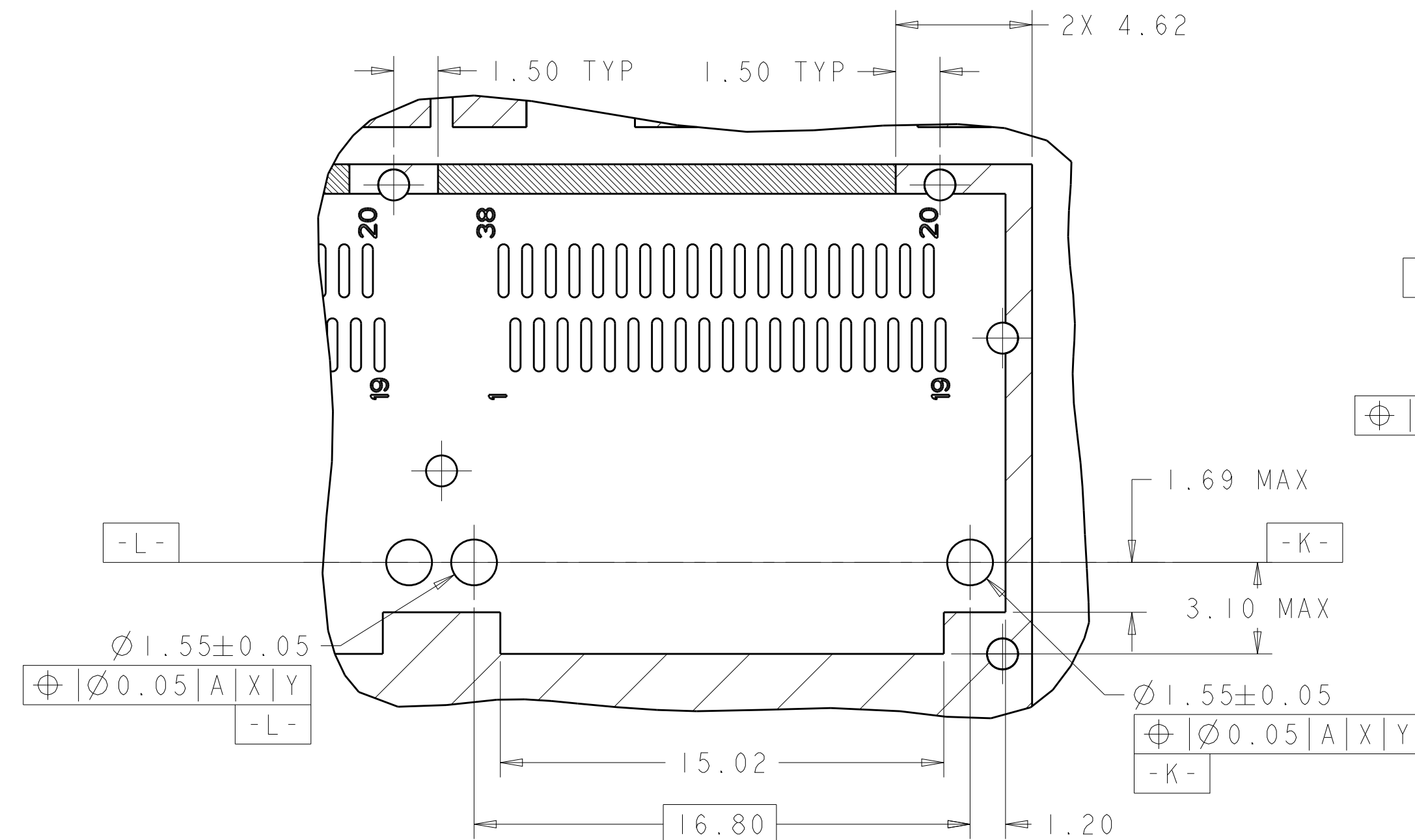
THIS DRAWING IS A CONTROLLED DOCUMENT.		DWN JASON YANG 14FEB2020	TE Connectivity	
		CHK SEAN HAN 08NOV2016		
DIMENSIONS: mm		APVD -	NAME RECEPTACLE ASSEMBLY THRU BEZEL 1X6, QSFP28 EMI SPRINGS	
TOLERANCES UNLESS OTHERWISE SPECIFIED: 0 PLC ± 1 PLC ±0.5 2 PLC ±0.13 3 PLC ±0.013 4 PLC ±0.0001 ANGLES ± FINISH		PRODUCT SPEC 108-19428	RESTRICTED TO	
MATERIAL TBD		APPLICATION SPEC 114-32023	SIZE A2	CAGE CODE 00779
SEE NOTES		WEIGHT -	DRAWING NO C-2170734	SCALE 3:1
		CUSTOMER DRAWING	SHEET 8	OF 10
			REV C	



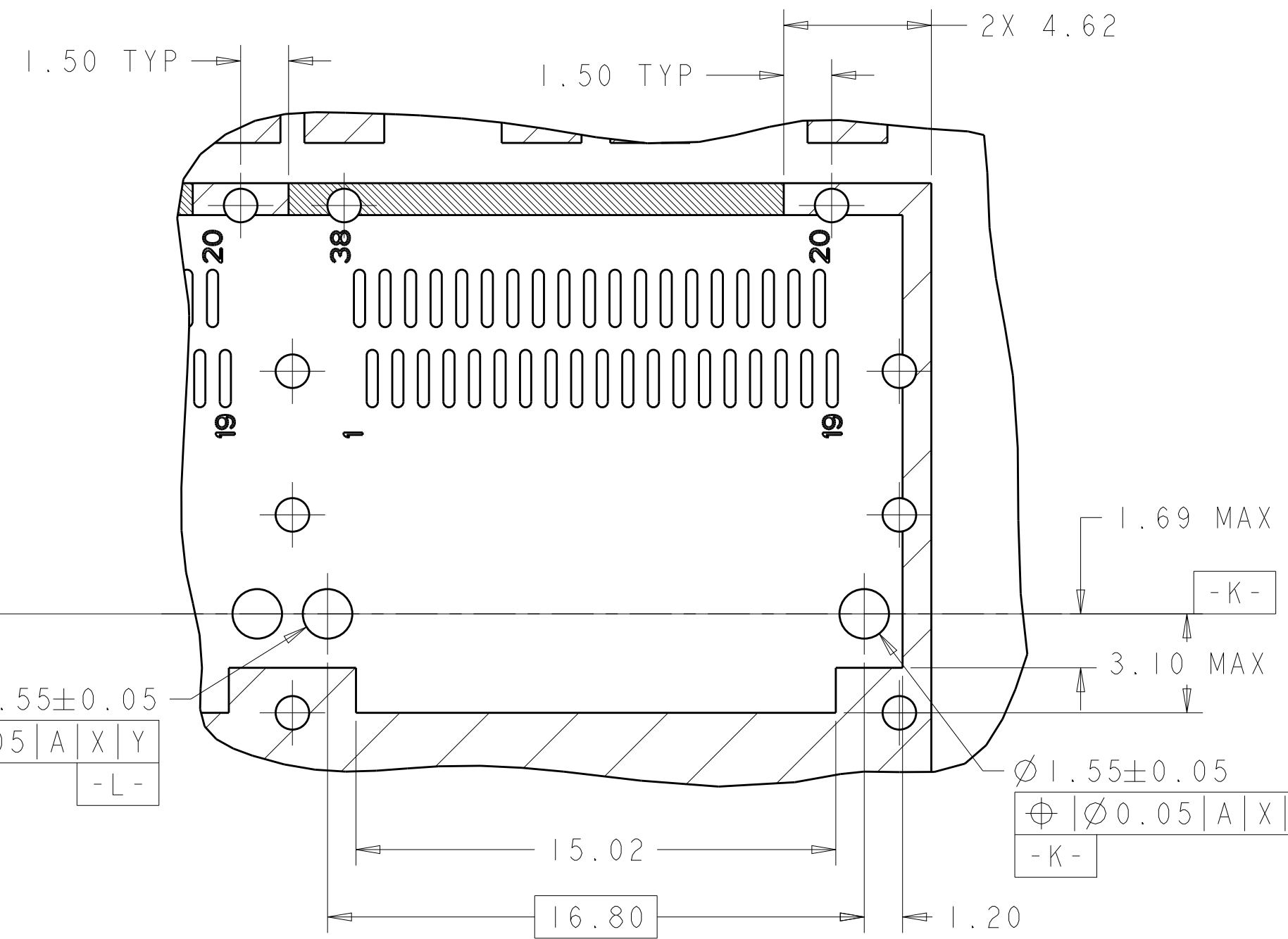
REVISIONS					
P	LTR	DESCRIPTION	DATE	DWN	APVD
-	-	SEE SHEET 1	-	-	-



DETAIL D  
SCALE 3:1



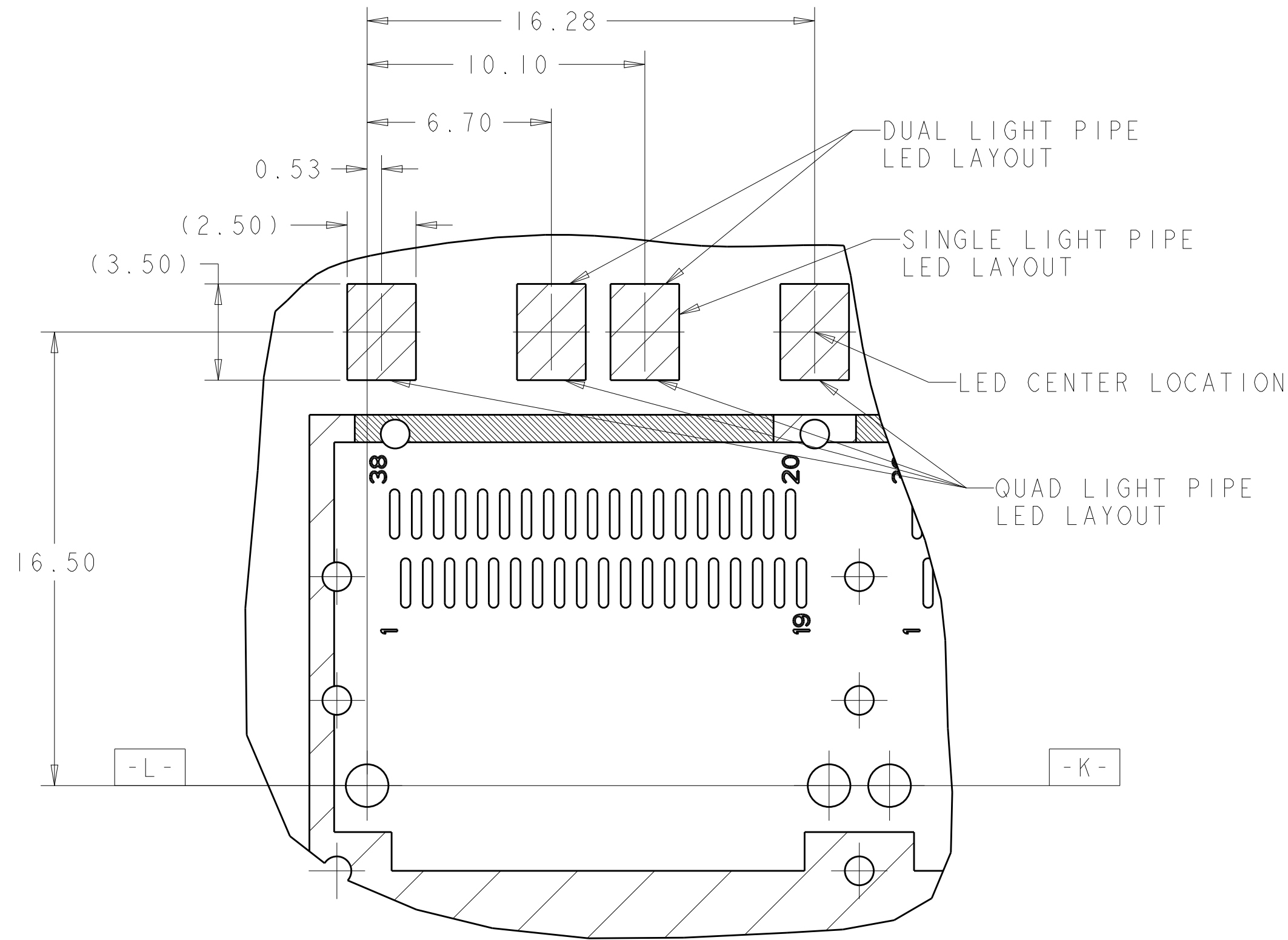
DETAIL A  
SCALE 6:1



DETAIL B  
SCALE 6:1

THIS DRAWING IS A CONTROLLED DOCUMENT.		DWN 14FEB2020 JASON YANG	TE Connectivity
		CHK 08NOV2016 SEAN HAN	
DIMENSIONS:	TOLERANCES UNLESS OTHERWISE SPECIFIED:	APVD -	NAME
mm	0 PLC ± 1 PLC ±0.5 2 PLC ±0.13 3 PLC ±0.013 4 PLC ±0.0001 ANGLES ±	PRODUCT SPEC	RECEPTACLE ASSEMBLY THRU BEZEL 1X6, QSFP28 EMI SPRINGS
		APPLICATION SPEC	SIZE CAGE CODE DRAWING NO
MATERIAL	FINISH	WEIGHT	A200779 C-2170734
TBD	SEE NOTES	CUSTOMER DRAWING	RESTRICTED TO
		SCALE 3:1	SHEET 9 OF 10
			REV C

P	LTR	DESCRIPTION	DATE	DWN	APVD
-		SEE SHEET 1	-	-	-



LED LAYOUT  
DETAIL E  
SCALE 6:1

THIS DRAWING IS A CONTROLLED DOCUMENT.		DWN 14FEB2020 JASON YANG	TE Connectivity	
		CHK 08NOV2016 SEAN HAN		
DIMENSIONS:	TOLERANCES UNLESS OTHERWISE SPECIFIED:	APVD -	NAME	
mm	0 PLC ± 1 PLC ±0.5 2 PLC ±0.13 3 PLC ±0.013 4 PLC ±0.0001 ANGLES ±	PRODUCT SPEC 108-19428	RECEPTACLE ASSEMBLY THRU BEZEL 1X6, QSFP28 EMI SPRINGS	
MATERIAL	FINISH	APPLICATION SPEC 114-32023	SIZE	CAGE CODE
TBD	SEE NOTES	WEIGHT	A200779	DRAWING NO C-2170734
		CUSTOMER DRAWING	SCALE 3:1	SHEET 10 OF 10
				REV C