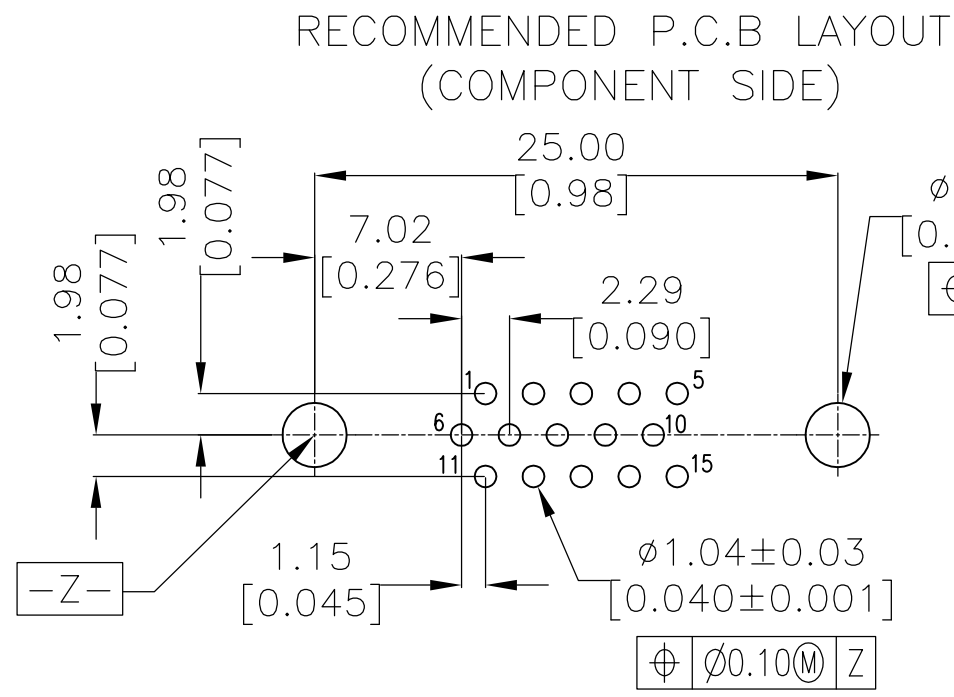
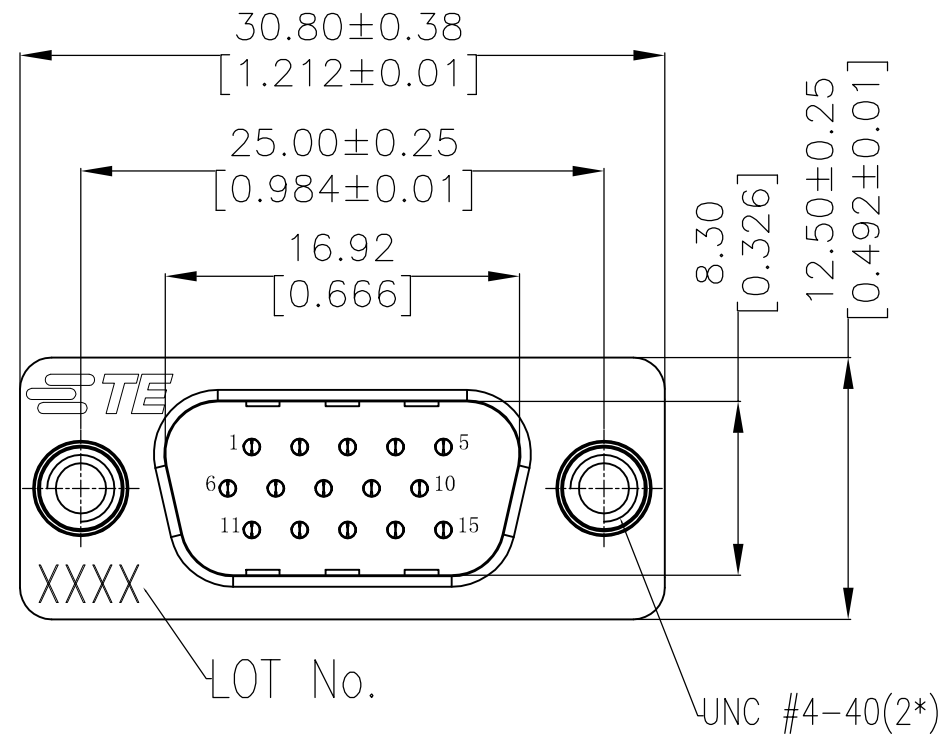
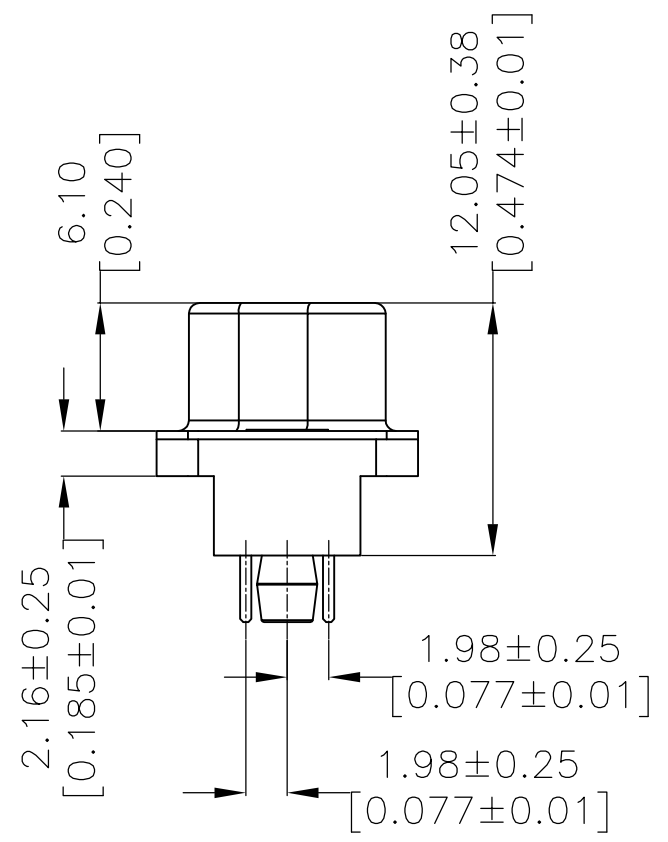
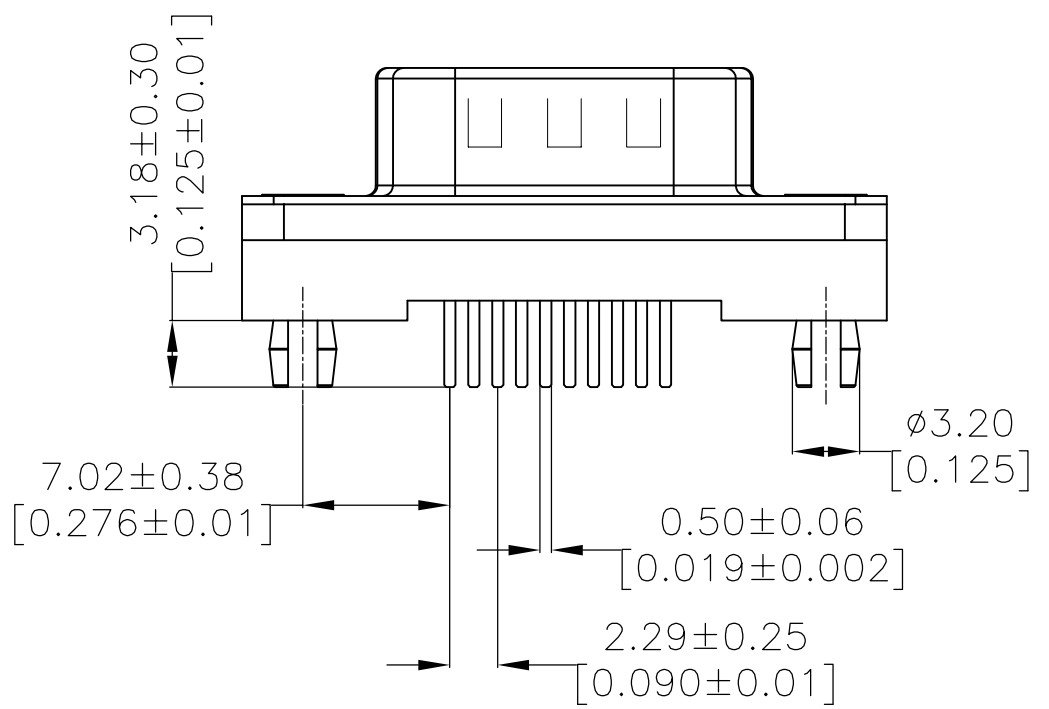


REVISIONS				
P	LTR	DESCRIPTION	DATE	APVD
C		REVISED PER ECO-17-016472	22NOV2017	AP DG



NOTES:
 Current Rating: 3.0AMP
 Contact Resistance: 35MILLIOHM MAX
 Withstand Voltage: 500V AC/DC
 Insulation Resistance: 1000MEGOHM MIN
 Operation Temperature: -40° to $+85^{\circ}$
 HOUSING: PBT BK, UL94V-0 BLACK
 Contact Plating:
 " Gold on contact area,
 100u" Matte Tin on soldering tail,
 50u" Nickel underplating overall.
 Contact Material: Brass
 Shell: SPCC, 50u" Nickel plated
 Boardlocks: Brass, 100u" Tin over 50u" nickel



LOT NUMBER "XXXX"
 "XXXX" stands for Calendar Year
 "XXXX" stands for Week Number

30μ" Au	2318229-1
Contact Area Plating	P/N

THIS DRAWING IS A CONTROLLED DOCUMENT.		DWN	22JUN2017	TE Connectivity	
DIMENSIONS: mm		CHK	22JUN2017	APVD	
TOLERANCES UNLESS OTHERWISE SPECIFIED:		APVD	22JUN2017	NAME	
0 PLC ± -		PRODUCT SPEC		AMPLIMTE PLUG, HD-22, 15P, VERTICAL, THREADED	
1 PLC ± -		APPLICATION SPEC		-	
2 PLC ± 0.25		SIZE	CAGE CODE	DRAWING NO	RESTRICTED TO
3 PLC ± -		A2	00779	C-2318229	-
4 PLC ± -		CUSTOMER DRAWING		SCALE	1:1
ANGLES ± -		SHEET		1 of 1	REV
FINISH		WEIGHT		C	