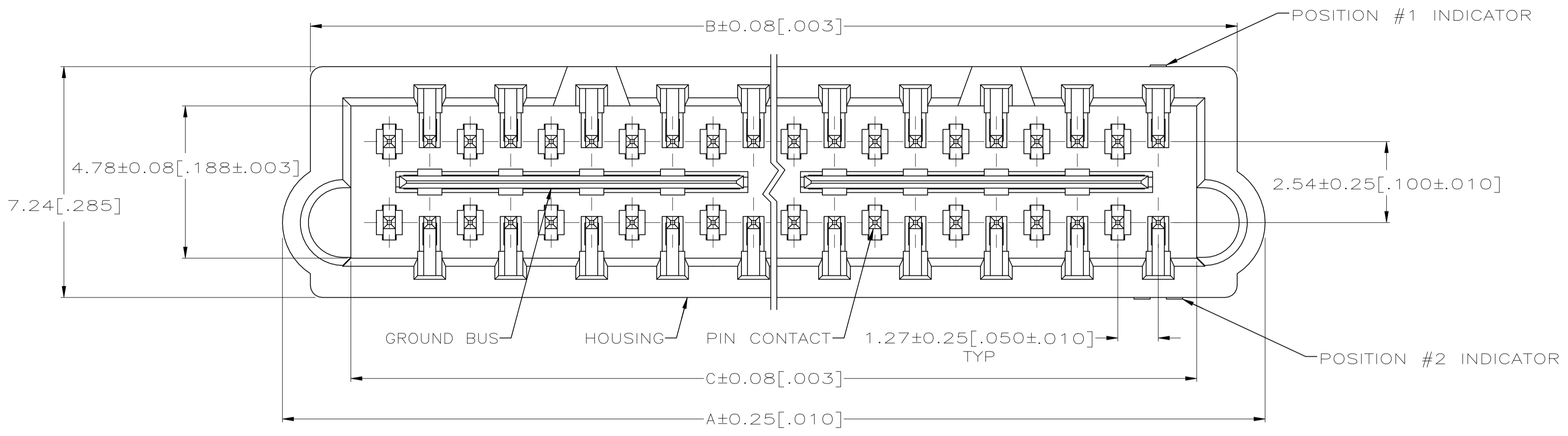
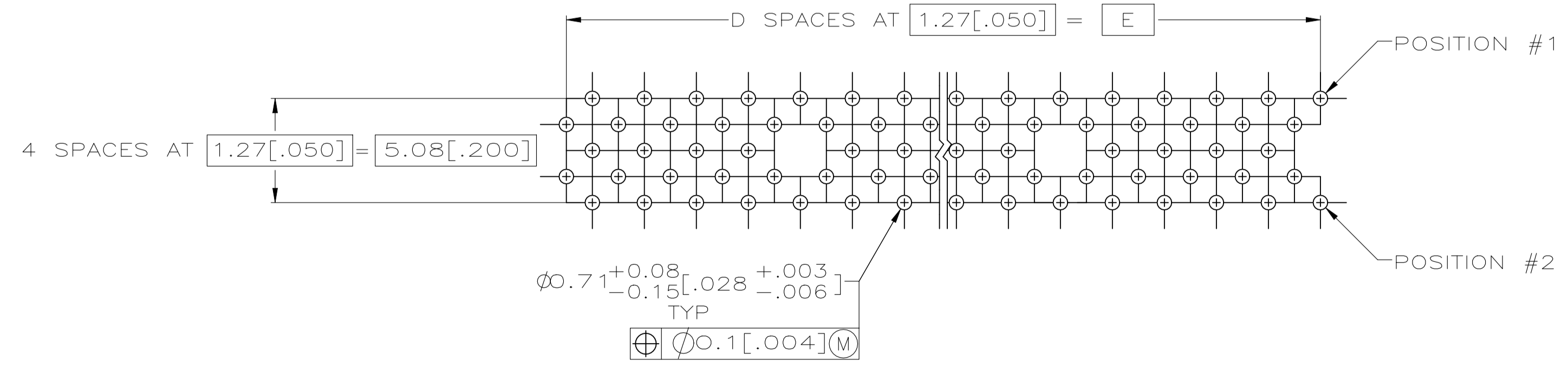
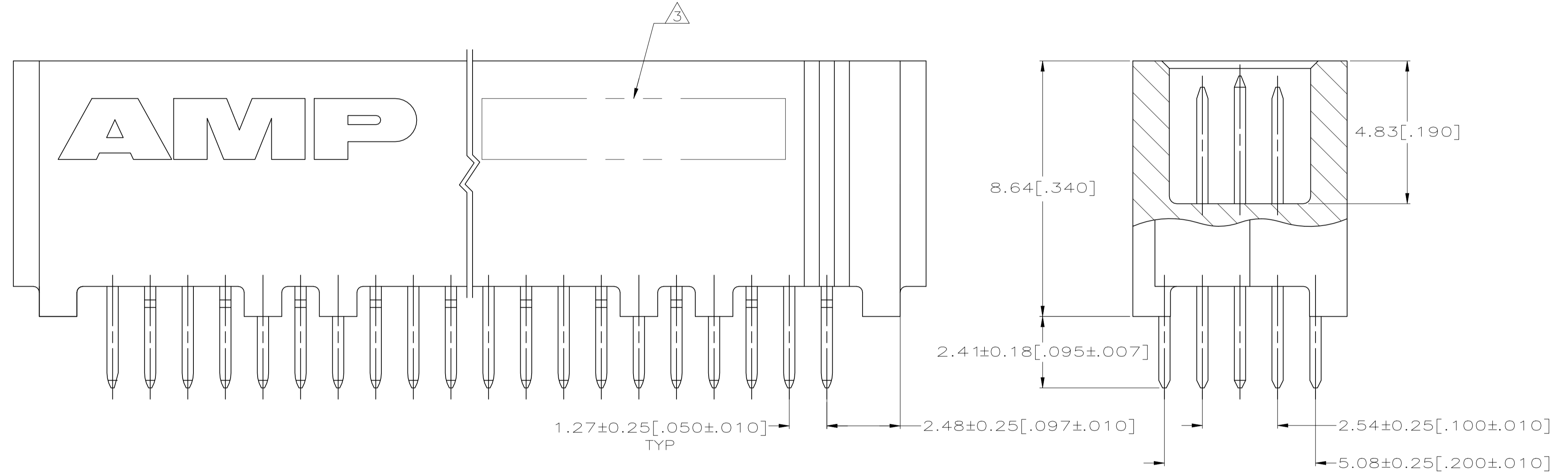


REVISIONS					
REV	DESCRIPTION	DATE	BY	APP'D	REV
R	REVISED PER ECO-20-011414	05JAN2021	AP	SY	



- 1 HOUSING: HIGH TEMPERATURE THERMOPLASTIC, COLOR NATURAL.
PIN CONTACTS: PHOSPHOR BRONZE.
GROUND BUSES: PHOSPHOR BRONZE.
- 2 CONTACTS & GROUND BUSES: 0.00076(.000030) MIN. GOLD PER ASTM B 488 ON CONTACT AREA, 0.00254-0.00762(.000100-.000300) MATTE TIN PER ASTM B 545 ON SOLDER TAIL, ALL OVER 0.00127-0.00254(.000050-.000100) MATTE NICKEL PER SAE AMS-QQ-N-290 ON ENTIRE CONTACT.
- 3 DATE CODE MARKED IN AREA INDICATED.



RECOMMENDED PC BOARD HOLE LAYOUT
(VIEWED FROM CONNECTOR SIDE)
SCALE 5:1

OBSOLETE	151.13[5.950]	119	153.62[6.048]	156.08[6.145]	157.84[6.214]	240	1-5536280-1
OBSOLETE	125.73[4.950]	99	128.22[5.048]	130.68[5.145]	132.44[5.214]	200	-5536280-9-
OBSOLETE	113.03[4.450]	89	115.52[4.548]	117.98[4.645]	119.74[4.714]	180	-5536280-8-
OBSOLETE	100.33[3.950]	79	102.82[4.048]	105.28[4.145]	107.04[4.214]	160	-5536280-7-
OBSOLETE	87.63[3.450]	69	90.12[3.548]	92.58[3.645]	94.34[3.714]	140	-5536280-6-
OBSOLETE	74.93[2.950]	59	77.42[3.048]	79.88[3.145]	81.64[3.214]	120	-5536280-5-
	62.23[2.450]	49	64.72[2.548]	67.18[2.645]	68.94[2.714]	100	5536280-4
OBSOLETE	49.53[1.950]	39	52.02[2.048]	54.48[2.145]	56.24[2.214]	80	-5536280-3-
OBSOLETE	36.83[1.450]	29	39.32[1.548]	41.78[1.645]	43.54[1.714]	60	-5536280-2-
OBSOLETE	24.13[.950]	19	26.62[1.048]	29.08[1.145]	30.84[1.214]	40	-5536280-1-
	E	D	C	B	A	NO OF POS	PART NUMBER

THIS DRAWING IS A CONTROLLED DOCUMENT.

DIMENSIONS: mm [INCHES]	TOLERANCES UNLESS OTHERWISE SPECIFIED:	DIN G ATTADIA 01-19-05	REV C
0 PLC ± -	1 PLC ± -	01-19-05	TE Connectivity
2 PLC ± -	3 PLC ± 0.13 [.005]	D DIXON 01-19-05	NAME
4 PLC ± -	ANGLES ± -	D DIXON 01-19-05	PRODUCT SPEC
			108-1272
			APPLICATION SPEC
			114-11005
			WEIGHT 0.000000
			A1 00779 C=5536280
			CUSTOMER DRAWING

SCALE 10:1 SHEET 1 of 1 REV R