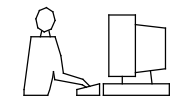


TOLERANCE UNLESS OTHERWISE SPECIFIED IN MM:
 0 ANGLE ±1°
 0.0 ±0.2
 0.00 ±0.1
 0.000 ±0.05

THIS IS A C.A.D. GENERATED DRAWING
 DO NOT MAKE MANUAL REVISIONS TO MASTER.

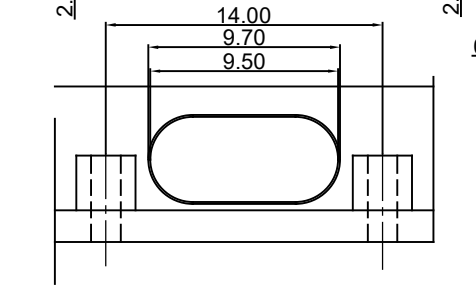
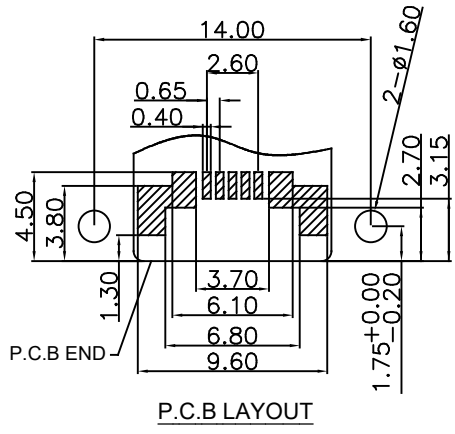
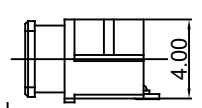
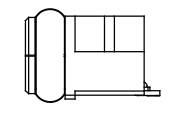
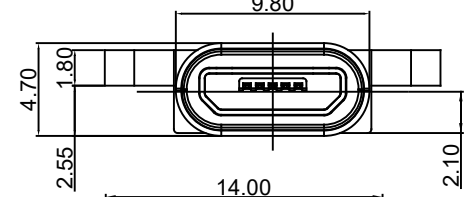
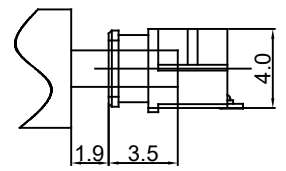
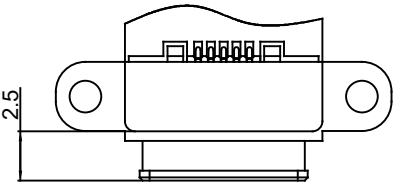


ISSUE NUMBER	
ADD SILICON SE 9186 & ELECTRICAL SPECS Y.ZHANG	SEP.18/2018 (6)
UPDATE PCB LAYOUT	(7)
P.M.	OCT. 16/2018
ADD O-RING DETAIL UPDATE NOTE	(8)
P.M.	NOV. 11/2019
BLACK EPOXY WAS SILICON ADD EPOXY RETENTION FORCE	(9)
P.M.	MAR. 23/2020
ADD CO-PLANARITY BOX UPDATE NOTE #8	(10)
P.M.	FEB. 17/2021

MOUNTING LAYOUT

MATING LAYOUT

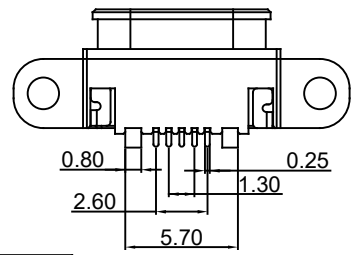
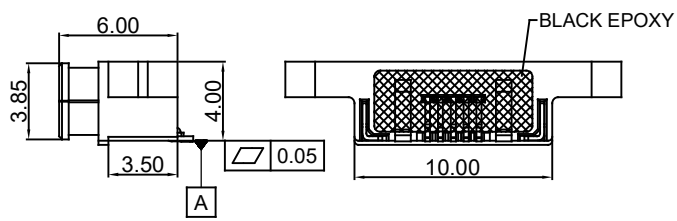
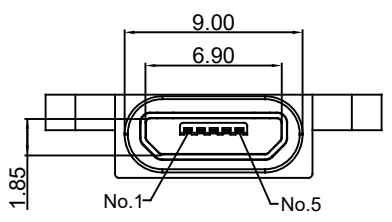
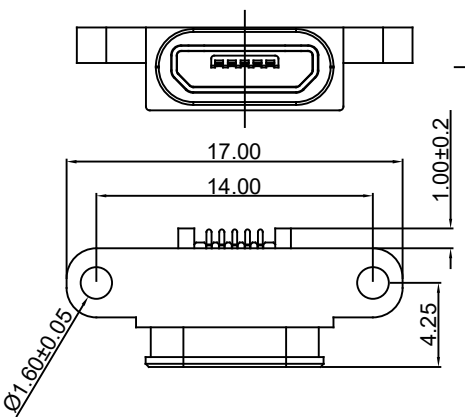
GASKET INTEGRATION LAYOUT



PANEL MOUNTING LAYOUT

NOTES

- OPERATING TEMPERATURE: -40°C~+85°C
- MATERIALS:
 INSULATOR: LCP, UL94 V-0, COLOR: BLACK
 CONTACT: PHOSPHOR BRONZE, WITH 10µ" GOLD PLATING ON CONTACT AREA,
 AND GOLD FLASH ON SOLDER AREA OVER 50µ" NICKEL UNDERPLATING
 SHELL: STAINLESS STEEL, WITH MATTE TIN PLATING
 PAD: BRASS, WITH MATTE TIN PLATING
 O-RING: SILICON, BLACK
- MATCH WITH O-RING PART NO. M00-556-001 IS PACKED SEPARATELY.
- PART NO:**
 690-W05-290-483
 690-W05-290-783
PACKAGING
 TAPE AND REEL PACKAGING
 TUBE PACKAGING (200PCS PER TUBE)
- ELECTRICAL SPECS:
 CURRENT RATING: 1.8A (PIN1 & PIN5) 0.5A (ONLY PIN2 & PIN3 & PIN4)
 VOLTAGE RAYING: 30V
 CONTACT RESISTANCE: 30mΩ MAX.
 INSULATION RESISTANCE: 100MΩ MIN. AT 500V DC
 DIELECTRIC WITHSTANDING VOLTAGE: 100V AC FOR 60s AT 10mA
- WATERPROOF RATING: IPX7
- EPOXY RETENTION FORCE: 20kgf Min.
- TAIL MISALIGNMENT
 TOLERANCE FROM DATUM A:
 UPWARD DIRECTION: 0.05 MAX
 DOWNWARD DIRECTION: 0.05 MAX



WATERPROOF MICRO USB 5P(F) SMT TYPE



THIS SERIES FULLY CONFORMS TO THE EUROPEAN UNION DIRECTIVES 2002/95/EC AND 2011/95/EV FOR RoHS COMPLIANCY.



EDAC INC
 TORONTO, ONTARIO
 CANADA

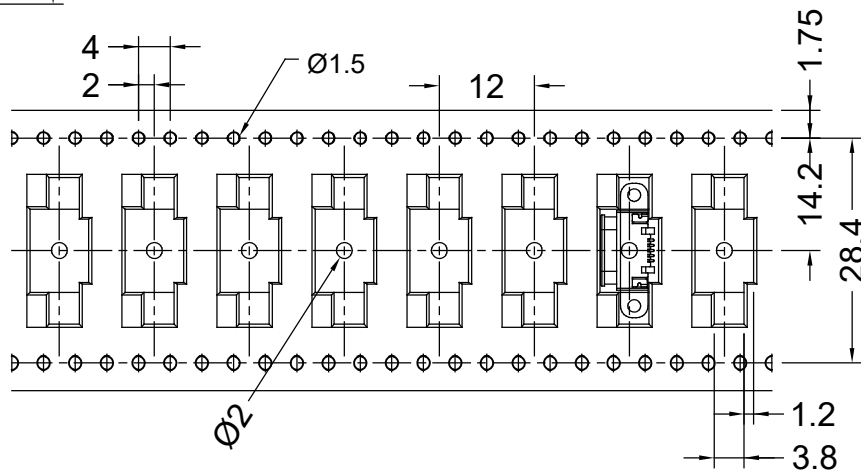
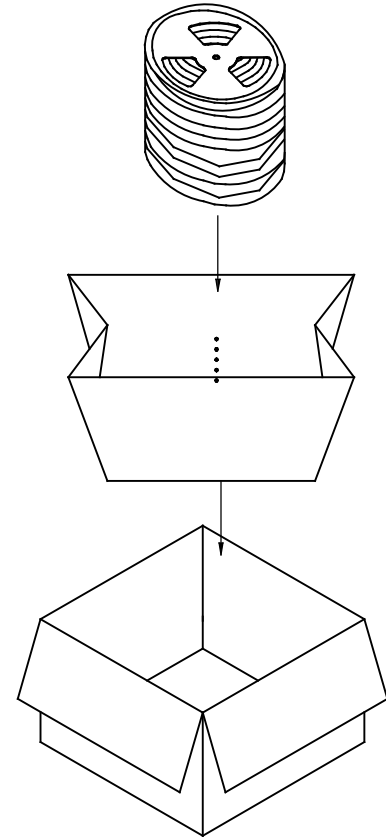
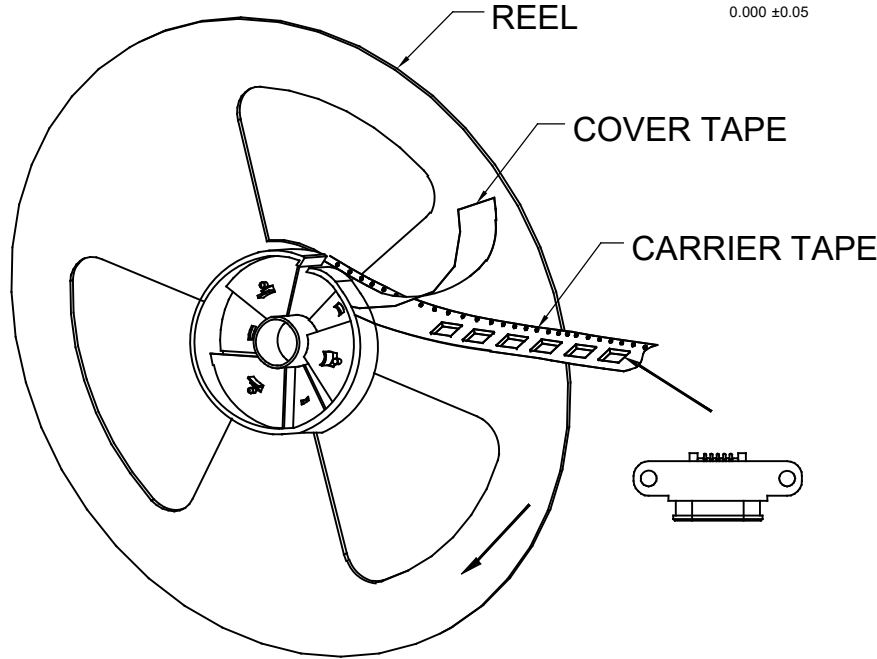
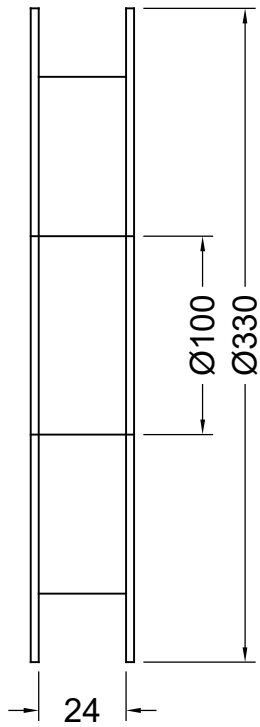
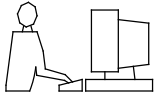
YOUR CONNECTION TO QUALITY & SERVICE

THESE DRAWINGS AND SPECIFICATIONS ARE THE PROPERTY OF EDAC INC., AND SHALL NOT BE REPRODUCED, OR COPIED OR USED AS THE BASIS FOR THE MANUFACTURE OR SALE OF APPARATUS WITHOUT WRITTEN PERMISSION.

ACAD REFERENCE NO.: 690-W05-290-483	
DRAWN: P.M.	DATE: DEC. 06/2019
CHECKED: R.S.M.	DATE: FEB. 17/2021
PART NUMBER	
SEE PART NO.	
DRAWING NUMBER	ISSUE
690-W05-290-483	10

TOLERANCE UNLESS OTHERWISE SPECIFIED IN MM:
 0 ANGLE ±1°
 0.0 ±0.2
 0.00 ±0.1
 0.000 ±0.05

THIS IS A C.A.D. GENERATED DRAWING
 DO NOT MAKE MANUAL REVISIONS TO MASTER.



QUANTITY PER REEL: 1100 PCS

**WATERPROOF MICRO USB 5P(F) SMT TYPE
 TAPE & REEL PACKAGING SPECS**

ACAD REFERENCE NO.: 690-W05-290-483

DRAWN: P.M.

DATE: DEC. 06/2019

CHECKED: R.S.M.

DATE: FEB. 17/2021

PART NUMBER

SEE PART NO.

SHEET 2 OF 2

DRAWING NUMBER

690-W05-290-483

ISSUE

10



THIS SERIES FULLY CONFORMS TO THE EUROPEAN UNION DIRECTIVES 2002/95/EC AND 2011/95/EV FOR RoHS COMPLIANCY.



EDAC INC
 TORONTO, ONTARIO
 CANADA
 YOUR CONNECTION TO QUALITY & SERVICE

THESE DRAWINGS AND SPECIFICATIONS ARE THE PROPERTY OF EDAC INC., AND SHALL NOT BE REPRODUCED, OR COPIED OR USED AS THE BASIS FOR THE MANUFACTURE OR SALE OF APPARATUS WITHOUT WRITTEN PERMISSION.