

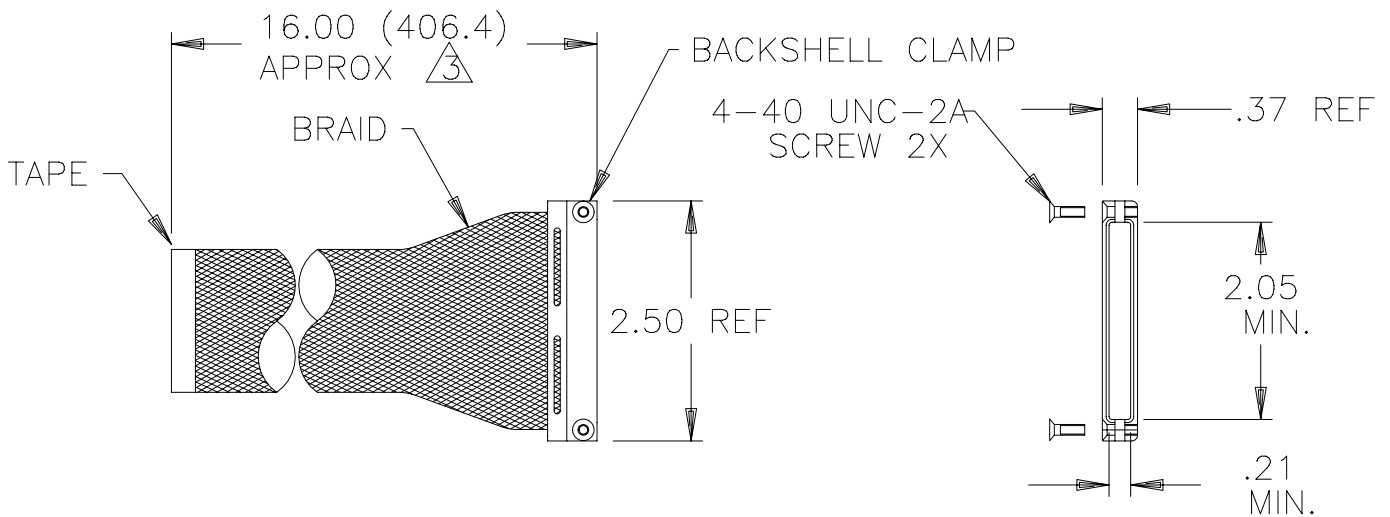
REVISIONS			
LTR	DESCRIPTION	DATE	APPROVED
N/C	INITIAL RELEASE PER DCR# T-22523	1/11/99	M.HIGGY

NOTES:

1. SCREWS ARE SHIPPED LOOSE.
2. MATERIAL: BACKSHELL – ALUMINUM ALLOY, CADMIUM PLATED  
BRAID – COPPER ALLOY, TIN PLATED  
SCREW – STAINLESS STEEL, PASSIVATED & CAD PLATED  
W/THREAD LOCK.

△ THE 16.00 INCHES APPROX. APPLIES TO THE BRAID IN THE "FLAT" AS SUPPLIED CONDITION.

4. SHIELDING EFFECTIVENESS IS LEVEL 1 PER C-6111 AND C-6115.



SPECIFICATION CONTROL DRAWING

If this document is printed it becomes uncontrolled.  
Check with the web for latest revision.

UNLESS OTHERWISE SPECIFIED DIMENSIONS ARE IN INCHES. METRIC DIMENSIONS ARE IN BRACKETS.	DRAWN zs.o.	DATE 12/11/98	Raychem				RAYCHEM CORPORATION 300 CONSTITUTION DRIVE MENLO PARK, CALIFORNIA 94025	
	CHECKED	DATE	TITLE		BACKSHELL, 2 INCH EMX SUPPRESSING MTC SERIES			
TOLERANCES: .XXX ± [ mm] .XX ±.03 [ mm] ANGLE	APPROVED M.HIGGY	DATE 1/11/99	THIRD ANGLE PROJECTION					SIZE A
	CAD NAME T22523.DWG		SCALE: NONE		DO NOT SCALE THIS DRAWING		SHEET 1 OF 1	
	P.C.N. 739533							