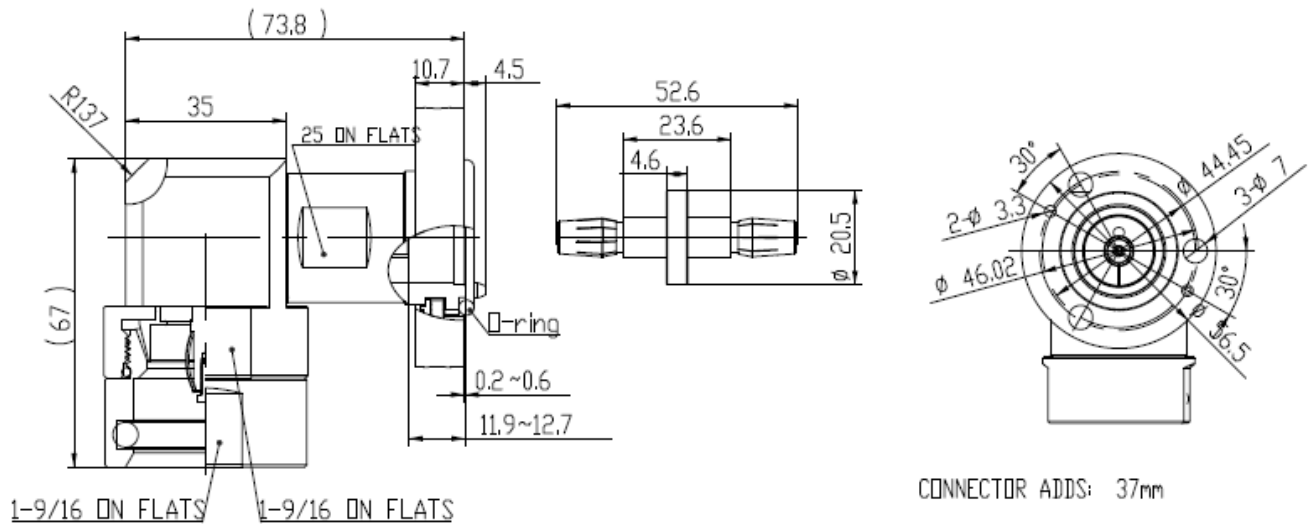


**NOTICE OF PROPRIETARY RIGHTS** THIS DOCUMENT CONTAINS CONFIDENTIAL TECHNICAL DATA, INCLUDING TRADE SECRETS, PROPRIETARY TO TIMES MICROWAVE SYSTEMS. DISCLOSURE OF THIS DATA IS EXPRESSLY CONDITIONED UPON YOUR ASSENT THAT ITS USE IS LIMITED TO USE WITHIN YOUR COMPANY ONLY. ANY OTHER USE IS STRICTLY PROHIBITED WITHOUT THE PRIOR WRITTEN CONSENT OF TIMES MICROWAVE SYSTEMS.

SYM	REVISION DESCRIPTION	DFTM	DATE	APPD	DATE
A	RELEASED FOR PRODUCTION	D. J. H.	7/27/12	J. D. B.	8/27/12
B	CHANGED PER CDC #36305	D. J. H.	9/27/12	J. D. B.	9/28/12
C	CHANGED PER CDC #46380	N. N. N.	4/20/17	J. D. B.	4/21/17



**REFERENCE STANDARD**

**1. ELECTRIC PERFORMANCE**

NOMINAL IMPEDANCE(Ω)	50
FREQUENCY RANGE	DC-0.5GHz
VSWR	≤1.15
INSERT LOSS(dB)	≤ 0.05
INSULATION RESISTANCE(MΩ)	≥10000
PROOF VOLTAGE(V)	4000
AVERAGE POWER(KW)	1.7(1G) 1.2(2G)
CONTACT RESISTANCE(mΩ)	OUTER CONDUCTOR <0.5 INNER CONDUCTOR <0.8

**2. MECHANICAL PERFORMANCE**

RETENTION	≥10N
MATING CYCLES	500
TENSILE FORCE(CABLE-CONNECTOR)	300N
TORSION(CABLE-CONNECTOR)	3N.m

**3. MATERIAL AND PLATING**

INNER CONDUCTOR	BRASS	Ag5μm
OUTER CONDUCTOR	BRASS	COPPER-TIN-ZINC2μm
SPRING FINGER CONTACT	BeCu	COPPER-TIN-ZINC2μm
INSULATOR	PTFE	
O-RING	SILICONE RUBBER	

**4. ENVIRONMENT**

TEMP.RANGE	-40℃~+85℃
WEATHER STANDARD	IEC 60068 40 / 085/ 21
THERMAL SHOCK	IEC 60068 -2-14-Na
VIBRATION	IEC 60068-2-6-Fc
SHOCK	IEC 60068-2-27
WATERPROOFING STANDARD	IP67
ROHS COMPLIANT	

5.ASSEMBLY: INNER AND OUTER CONDUCTOR INSTALLED

MATERIAL:	UNLESS OTHERWISE SPECIFIED	DFTM. D. J. H.	TIMES MICROWAVE SYSTEMS				
		DATE 7/27/12					
USED ON: 1-2	ALL DIMENSIONS ARE IN mm MACHINED SURFACES FINISH N/A RMS MAX. REMOVE ALL BURRS N/A MAX. BREAK MACHINE CORNERS N/A MAX. FILLET R. TOLERANCES ON DECIMALS . XX ± N/A . XXX ± N/A ANGLES ± N/A FRACTIONS ± N/A	CHKD. J. D. B.	<b>EZ-1200-78EIA-RA-2</b> 90° 7/8" EIA FLANGE FOR LMR-1200 CABLE				
		DATE 8/27/12					
		APPD. J. D. B.					
SCALE: N/A	DWG. SIZE A	DO NOT SCALE DRAWING	CODE IDENT 68999	DATE 8/27/12	SHT 1 of 1	SD3190-2782	REV C