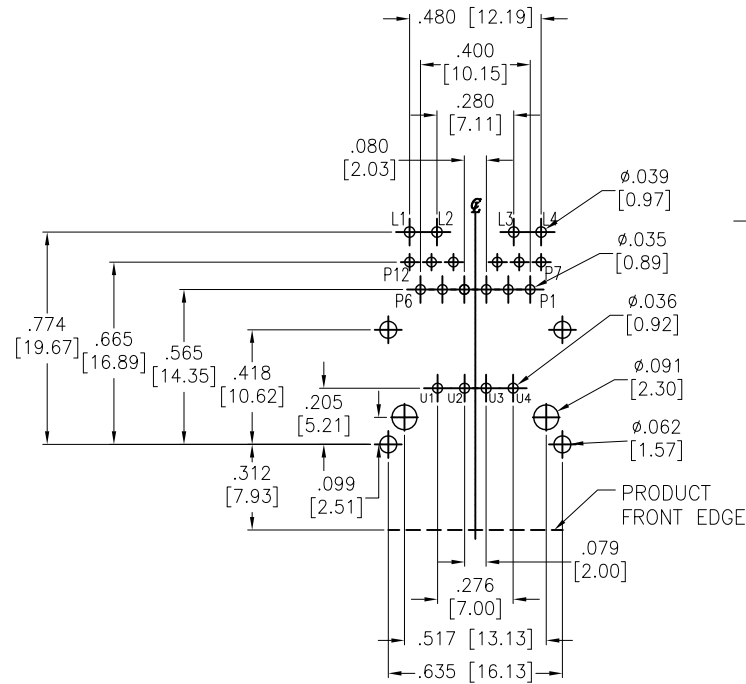
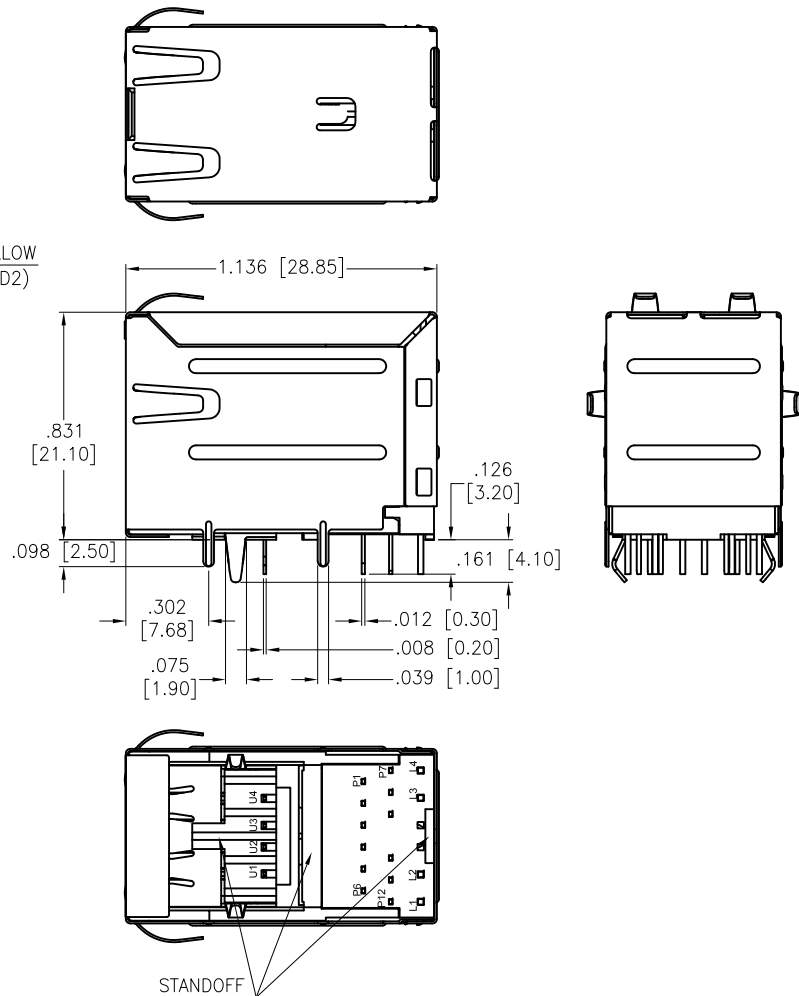
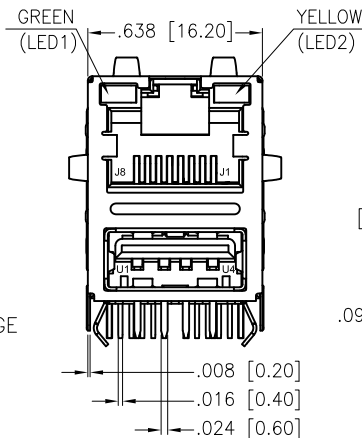


APPROVED: _____
 DATE: _____ TITLE: _____

Rev	AWO #	Description	Date	Appr
-		RELEASED	8/9/18	



RECOMMENDED PCB LAYOUT



SPECIFICATIONS:

Material:
 Insulator: Thermoplastic, rated UL 94V-0
 Insulator color: Black
 RJ Contacts: Phosphor Bronze
 Solder Tail: Brass, Tin plated
 Shield: Stainless, pre-soldering
 Contact Plating:
 Flat contact
 Gold over Nickel underplate on contact area,
 Tin over Copper underplate on solder tails
 Round contact
 Gold over Nickel underplate overall

Electrical:
 Insulation resistance: 500 Mohms min
 Dielectric withstanding voltage: 1,000 VAC for 1 minute
 Temperature Rating:
 Operating temperature: -0°C to +70°C
 Environmental:
 Lead free, RoHS compliant.



UNLESS OTHERWISE SPECIFIED ALL DIMENSIONS ARE INCHES [MM] TOLERANCES: EXCEPT AS NOTED			
INCHES		HOLES	
.X	± .10	Ø.X	± .10
.XX	± .020	Ø.XX	± .015
.XXX	± .015	Ø.XXX	± .010
APPROVALS		DATE	
DRAWN	HR	8/9/18	
CHECKED	AC	8/9/18	
APPROVED			

ADAM TECH INTERCONNECTS
 909 Rahway Avenue,
 Union, NJ 07083
 Phone: 908-687-5000
 Fax: 908-687-5710

TITLE MODULAR TELEPHONE JACK, 1 PORT, 8P8C RJ45 + USB, W/ LED1 GREEN LED2 YELLOW			
SIZE X	PART NO. MTJ-USB-88JX1-FS-PG-LH-M49Y	REV. -	
REF: S00101C	SCALE: NTS	SHEET 1 OF 2	

6

5

4

3

2

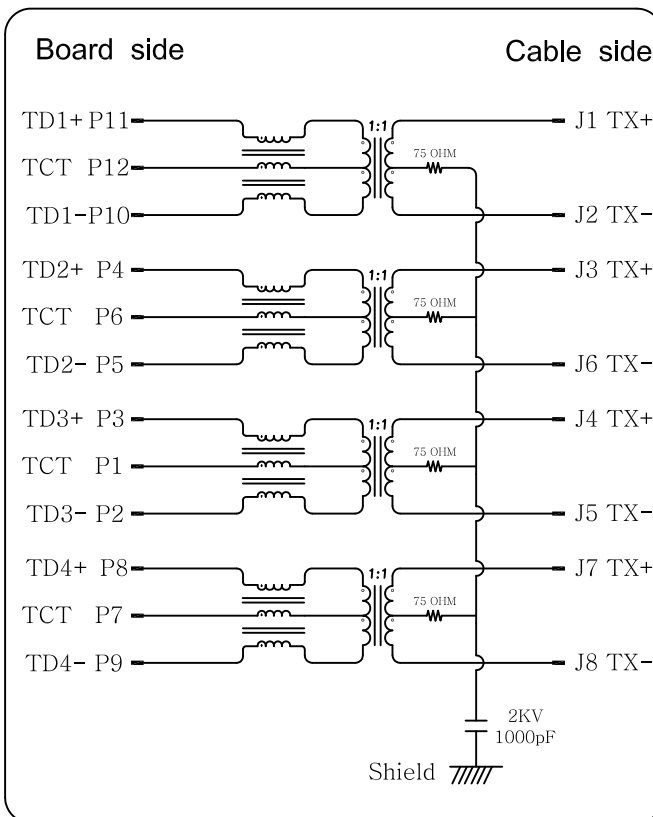
1

APPROVED: _____

DATE: _____ TITLE: _____

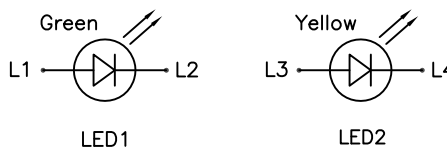
Rev	AWO #	Description	Date	Appr
-----	-------	-------------	------	------

SEE SHT 1 OF 2 FOR REVISION



ELECTRICAL CHARACTERISTICS :

1. INSERTION LOSS :
- 1~100 MHz -1.0dB MAX.
2. RETURN LOSS(LOAD 100Ω) :
- 1~30 MHz -18dB MIN
- 30~60 MHz -16dB MIN
- 60~80 MHz -12dB MIN
- 80~100 MHz -10dB MIN
3. COMMON MODE REJECTION
- 1~100 MHz -30dB MIN
4. CROSS TALK
- 1~100 MHz -30dB MIN
5. INDUCTANCE @ 100KHz, 0.1V, 8mA DC BIAS
- (P11-P10),(P4-P5),(P3-P2),(P8-P9) : 350 uH MIN
6. DCR
- (J1-J2),(J3-J6),(J4-J5),(J7-J8) : 1.2 OHM MAX
7. HI-POT TEST
- PCB SIDE TO CABLE SIDE : 1500VAC 60S OR 2250VDC 60S
8. TURNS RATION 100KHz
- (P11-P10) : (J1-J2) = 1:1 ±%3
- (P4-P5) : (J3-J6) = 1:1 ±%3
- (P3-P2) : (J4-J5) = 1:1 ±%3
- (P8-P9) : (J7-J8) = 1:1 ±%3



UNLESS OTHERWISE SPECIFIED ALL DIMENSIONS ARE INCHES [MM] TOLERANCES: EXCEPT AS NOTED	
INCHES	HOLES
.X ± .10	Ø.X ± .10
.XX ± .020	Ø.XX ± .015
.XXX ± .015	Ø.XXX ± .010
APPROVALS	
DRAWN	HR
CHECKED	AC
APPROVED	

ADAM TECH INTERCONNECTS 909 Rahway Avenue, Union, NJ 07083
Phone: 908-687-5000 Fax: 908-687-5710

TITLE: MODULAR TELEPHONE JACK, 1 PORT, 8P8C
RJ45 + USB, W/ LED1 GREEN LED2 YELLOW

SIZE	PART NO.	REV.
X	MTJ-USB-88JX1-FS-PG-LH-M49Y	-

REF: S00101C SCALE: NTS SHEET 2 OF 2

6

5

4

3

2

1