

6

5

4

3

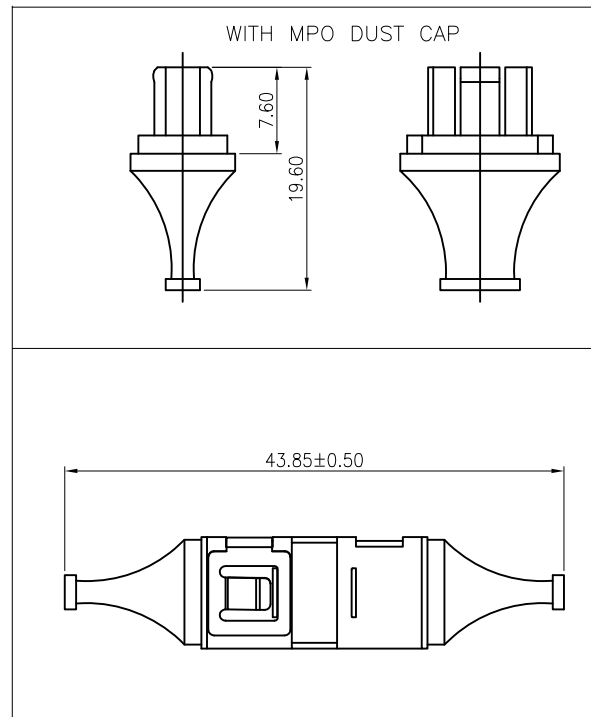
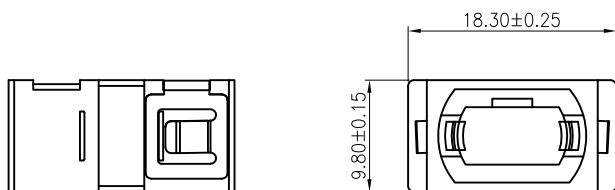
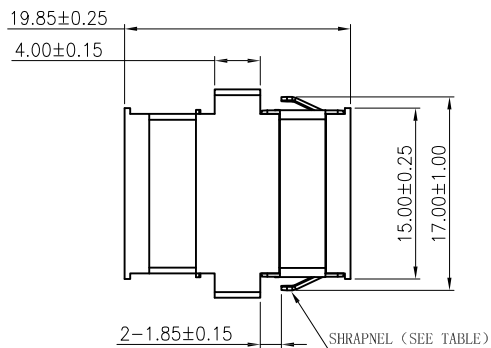
2

1

APPROVED: \_\_\_\_\_

DATE: \_\_\_\_\_ TITLE: \_\_\_\_\_

Rev	AWO #	Description	Date	Appr
-		RELEASED	9/14/20	



OPMF1BNNC1NC	PEI Red	NO
OPMF1BNNC1PC	PEI Red	With
OPMD1BNNC1NC	PEI Water blue	NO
OPMD1BNNC1PC	PEI Water blue	With
OPMB1BNNC1NC	PEI Blue	NO
OPMB1BNNC1PC	PEI Blue	With
OPMA1BNNC1NC	PEI Green	NO
OPMA1BNNC1PC	PEI Green	With
OPMG1BNNC1NC	PEI Black	NO
OPMG1BNNC1PC	PEI Black	With
P/N:	COLOUR	SHRAPNEL

**SPECIFICATIONS:**

Material:  
Housing: PEI, rated UL 94V-0, Color: See Chart  
Electrical:  
Standards of IEC,EIA/TIA, Telcordia  
Repeatability: 500 min  
Insertion loss: 0.2dB max  
Temperature Rating:  
Operating temperature: -40°C to +75°C  
Environmental:  
Lead free, RoHS compliant.



UNLESS OTHERWISE SPECIFIED  
ALL DIMENSIONS ARE MILLIMETERS  
TOLERANCES: EXCEPT AS NOTED  
MM ANGLE  
X. ± 0.35 X\* ± 2°  
.X ± 0.30 .X\* ± 1°  
.XX ± 0.25 .XX\* ± 0.5°  
.XXX ± 0.15 .XXX\* ± 0.5°

**ADAM TECH**  
**INTERCONNECTS**  
909 Rahway Avenue,  
Union, NJ 07083  
Phone: 908-687-5000  
Fax: 908-687-5710

APPROVALS		DATE	TITLE	
DRAWN	OW	9/14/20	OPTICAL MPO ADAPTERS, 1 PORTS, SHORT-EARED, WITH MPO DUST CAP	
CHECKED	JL	9/14/20	SIZE	PART NO.
APPROVED			X	OPMX1BNNC1XC
REF: S00005C		SCALE: NTS	REV. -	
			SHEET 1 OF 1	

6

5

4

3

2

1