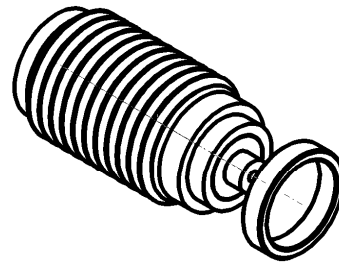
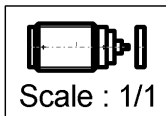
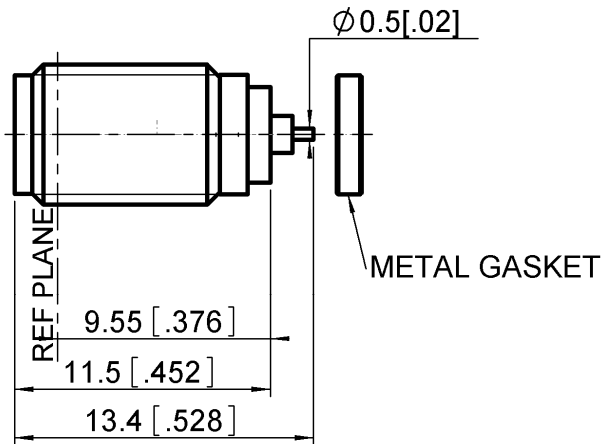


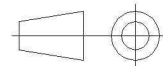
**SCREW ON FEMALE RECEPTACLE**  
**HERMETIC-WITH CYLINDRICAL CONTACT**

**R125.609.001**

Series : SMA



All dimensions are in mm.



COMPONENTS	MATERIALS	PLATINGS ( $\mu\text{m}$ )
BODY	STAINLESS STEEL.	PASSIVATED.
CENTER CONTACT	BERYLLIUM COPPER	GOLD 1.3 OVER NICKEL2
OUTER CONTACT	-	-
INSULATOR	PTFE	
GASKET	ALUMINIUM ALLOY	GOLD 1.3 OVER NICKEL2
OTHERS PARTS	BERYLLIUM COPPER	
-	-	-
-	-	-

Issue : 1942 D

In the effort to improve our products, we reserve the right to make changes judged to be necessary.



**SCREW ON FEMALE RECEPTACLE**  
**HERMETIC-WITH CYLINDRICAL CONTACT**

**R125.609.001**

Series : SMA

**PACKAGING**

**SPECIFICATION**

Standard	Unit	Other
<b>1</b>	-	<b>Contact us</b>

**ELECTRICAL CHARACTERISTICS**

Impedance		<b>50</b> Ω
Frequency		<b>0-26.5</b> GHz
VSWR	<b>1.10</b> +	<b>0,0100</b> x F(GHz) Maxi
Insertion loss		<b>0.3</b> √F(GHz) dB Maxi
RF leakage	- (	<b>100</b> - F(GHz)) dB mini
Voltage rating		<b>500</b> Veff Maxi
Dielectric withstanding voltage		<b>1000</b> Veff mini
Insulation resistance		<b>5000</b> MΩ mini

**ENVIRONMENTAL**

Operating temperature	<b>-65/+165</b> ° C
Hermetic seal	<b>10-5</b> Atm.cm <sup>3</sup> /s
Panel leakage	<b>IP68</b>

**OTHERS CHARACTERISTICS**

Assembly instruction

Others :  
Coaxial Transmission Line Only

**MECHANICAL CHARACTERISTICS**

Center contact retention		
Axial force – Mating end		<b>27</b> N mini
Axial force – Opposite end		<b>27</b> N mini
Torque		<b>2.8</b> N.cm mini
Recommended torque		
Mating		<b>NA</b> N.cm
Panel nut		<b>280</b> N.cm
Mating life		<b>500</b> Cycles mini
Weight		<b>2,0000</b> g

Issue : 1942 D

In the effort to improve our products, we reserve the right to make changes judged to be necessary.

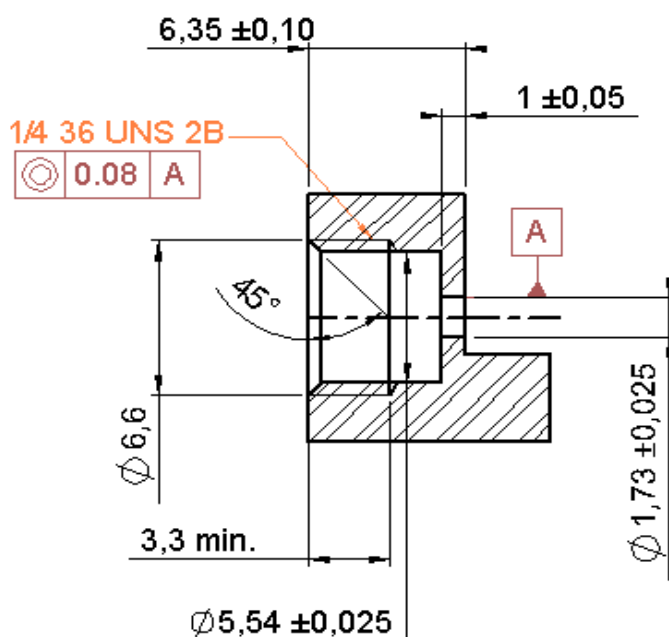


**SCREW ON FEMALE RECEPTACLE**  
**HERMETIC-WITH CYLINDRICAL CONTACT**

**R125.609.001**

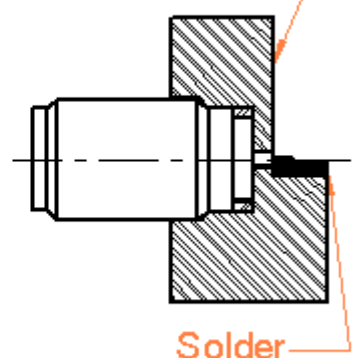
Series : SMA

PANEL DRILLING



RECOMMENDED MOUNTING HOLE DETAIL

Panel deformation less than 25µ



Assemble metal gasket onto connector.  
 Screw both parts into the housing.  
 Tighten the connector up to 280Ncm +or-  
 10Ncm (use special tooling set RADIALL  
 R282 341 012).  
 Thus the connection hermeticity is  
 guaranteed at  $1 \cdot 10^{-5}$ atm. cm<sup>3</sup>/s.  
 Then solder the pin on the track.  
 Be careful not to put too much solder.

Issue : 1942 D

In the effort to improve our products, we reserve the right to make changes judged to be necessary.

