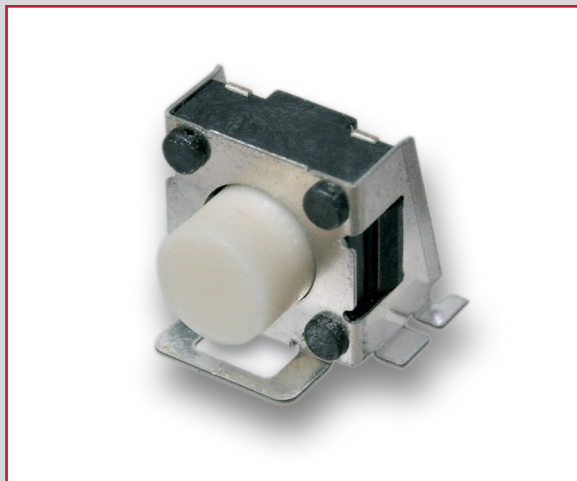
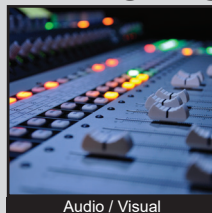


TL3360 SERIES TACT SWITCH

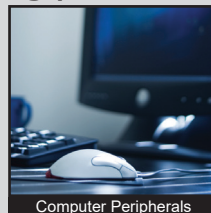
ANTI-VANDAL SWITCHES
 DETECTOR SWITCHES
 DIP SWITCHES
 KEYLOCK SWITCHES
 NAVIGATION SWITCHES
 PUSHBUTTON SWITCHES
 ROCKER SWITCHES
 ROTARY SWITCHES
 SLIDE SWITCHES
 SNAP ACTION SWITCHES
TACTILE SWITCHES
 TOGGLE SWITCHES
 CAP OPTIONS



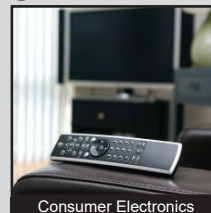
APPLICATIONS / MARKETS



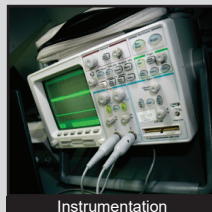
Audio / Visual



Computer Peripherals



Consumer Electronics



Instrumentation



Telecommunication



Medical Equipment

RoHS

SPECIFICATIONS

Electrical Rating: 50mA @ 12VDC
Electrical Life: 200,000 Cycles
Contact Resistance: 100mΩ Max.
Insulation Resistance: 100M Ω Min. at 500VDC
Dielectric Strength: 250VAC for 1 min.
Operating Temperature: -25°C to 70°C
Storage Temperature: -30°C to 80°C
Operating Force: 185 gf, 260 gf
Travel: 0.15mm
Contact Arrangement: SPST

FEATURES & BENEFITS

- Multiple actuator options
- Surface mount
- Right angle
- Multiple operating force options

PART NUMBER CONFIGURATOR

Series	Model	Actuator Option	Actuation Force	Contact Material
<input type="text" value="TL"/>	<input type="text" value="3360"/>	<input type="text" value="A"/>	<input type="text" value="F185"/>	<input type="text" value="Q"/>
		A - 2.30mm B - 2.80mm C - 4.0mm D - 4.35mm	F185 - 185 gf F260 - 260 gf	Q - Silver

Specifications subject to change without notice



E-SWITCH®

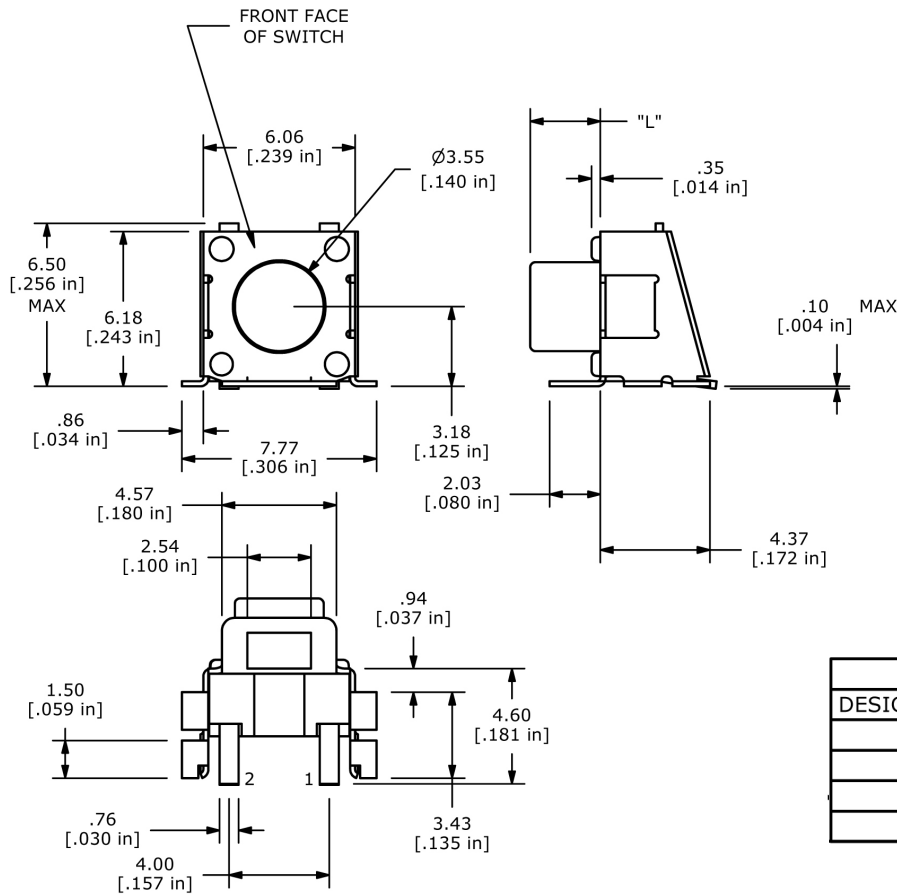
www.e-switch.com

800.867.2717

2

TL3360 SERIES TACT SWITCH

BODY DIMENSIONS



ACTUATOR CHART	
DESIGNATION	"L" DIM
A	2.30
B	2.80
C	4.00
D	4.35

