

TWR-MCF51QM Tower Module

User's Manual

Rev. 0



Table of Contents

1	TWR-MCF51QM and TWR-MCF51QM-KIT Overview	4
1.1	Contents.....	4
1.2	Features	5
1.3	Getting Started.....	6
1.4	Reference Documents	6
2	Hardware Description	6
2.1	MCF51QM Microcontroller.....	7
2.2	Clocking	8
2.3	System Power.....	8
2.4	Debug Interface	10
2.4.1	OSBDM	10
2.5	Infrared Port.....	10
2.6	Accelerometer.....	11
2.7	Potentiometer, Pushbuttons, LEDs	11
2.8	Microphone	11
2.9	Audio Output	12
2.10	General Purpose Tower Plug-in (TWRPI) Socket.....	12
2.11	Touch Interface.....	13
2.12	Analog Terminal Block.....	14
2.13	External Bus Interface – FlexBus.....	14
3	Jumper Table.....	14
4	Input/Output Connectors and Pin Usage Table.....	15
5	Tower Elevator Connections	16

List of Figures

Figure 1. Freescale Tower System Overview	4
Figure 2. Callouts on front side of the TWR-MCF51QM.....	6
Figure 3. TWR-MCF51QM Block Diagram	7
Figure 4. Main Oscillator Input	8
Figure 5. Low-power Oscillator Input	8
Figure 6. Infrared Port Implementation	10
Figure 7. Accelerometer Circuit	11
Figure 8. Microphone circuit.....	12
Figure 9. Audio output (DAC) circuit.....	12
Figure 10. Analog Terminal Block	14

List of Tables

Table 1. General Purpose TWRPI socket pinout	13
Table 2. Touch TWRPI socket pinout	13
Table 3. TWR-MCF51QM Jumper Table.....	15
Table 4. I/O Connectors and Pin Usage Table.....	15
Table 5. TWR-MCF51QM Primary Connector Pinout	17

Revision History

Revision	Date	Changes
0	May 23, 2010	Initial Release

1 TWR-MCF51QM and TWR-MCF51QM-KIT Overview

The TWR-MCF51QM is a Tower Controller Module compatible with the Freescale Tower System. It can function as a stand-alone, low-cost platform for the evaluation of the ColdFire+ MCF51QU, MCF51QH, MCF51QF, and MCF51QM microcontroller (MCU) devices. The TWR-MCF51QM features the MCF51QM, a ColdFire+ 32-bit microcontroller built on the Version 1 (V1) ColdFire® core and enabled by innovative 90nm thin film storage (TFS) flash process technology with FlexMemory. The MCF51Qx families offer a rich combination of additive peripherals including high-precision analog, hardware encryption, an innovative touch sensing interface (TSI), and more.

The TWR-MCF51QM is available as a stand-alone product or as a kit (TWR-MCF51QM-KIT) with the Tower Elevator Modules (TWR-ELEV) and the Tower Prototyping Module (TWR-PROTO). The TWR-MCF51QM can also be combined with other Freescale Tower peripheral modules to create development platforms for a wide variety of applications. Figure 1 provides an overview of the Freescale Tower System.

Controller Module

- Tower MCU/MPU board
- Works stand-alone or in Tower System
- Features integrated debugging interface for easy programming and run-control via standard USB cable

Secondary Elevator

- Additional and secondary serial and expansion bus signals
- Standardized signal assignments
- Mounting holes and expansion connectors for side-mounting peripheral boards

Size

- Tower is approx. 3.5" H x 3.5" W x 3.5" D when fully assembled

Peripheral Module

- Examples include serial interface module, memory expansion module and Wi-Fi®

Primary Elevator

- Common serial and expansion bus signals
- Two 2x80 connectors on backside for easy signal access and side-mounting board (LCD module)
- Power regulation circuitry
- Standardized signal assignments
- Mounting holes

Board Connectors

- Four card-edge connectors
- Uses PCI Express® connectors (x16, 90 mm/3.5" long, 164 pins)

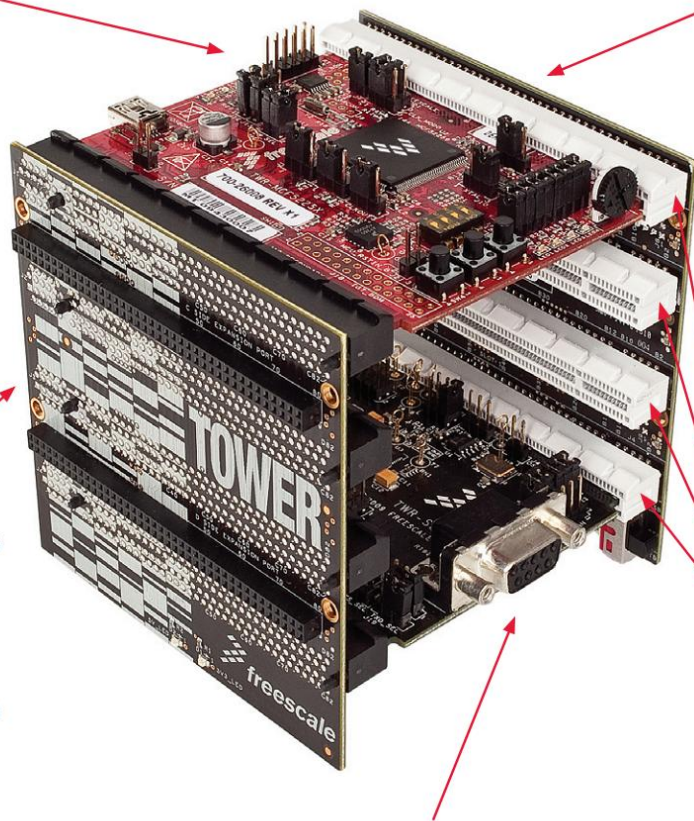


Figure 1. Freescale Tower System Overview

1.1 Contents

The TWR-MCF51QM contents include:

- TWR-MCF51QM board assembly

- 3ft A to mini-B USB cable for debug interface and power
- Interactive DVD with software installers and documentation
- Quick Start Guide

The TWR-MCF51QM-KIT contains:

- TWR-MCF51QM MCU module
- TWR-ELEV – Primary and Secondary Elevator Modules
- TWR-PROTO – Prototyping module

1.2 Features

Figure 2 shows the TWR-MCF51QM with some of the key features called out. The following list summarizes the features of the TWR-MCF51QM Tower MCU Module:

- Tower compatible microcontroller module
- MCF51QM128VLH: MCF51QM with 128 Kbytes of flash in a 64 pin LQFP package
- Terminal block for access to high-precision analog IO
- Touch Tower Plug-in Socket
- General purpose Tower Plug-in (TWRPI) socket
- On-board debug circuit (OSBDM) with virtual serial port
- Three axis accelerometer (MMA8451Q)
- Two (2) user-controllable LEDs
- Two (2) capacitive touch pads
- One (1) user pushbutton switch
- Infrared transmit and receive
- Potentiometer
- Microphone (ADC) and audio output (DAC)

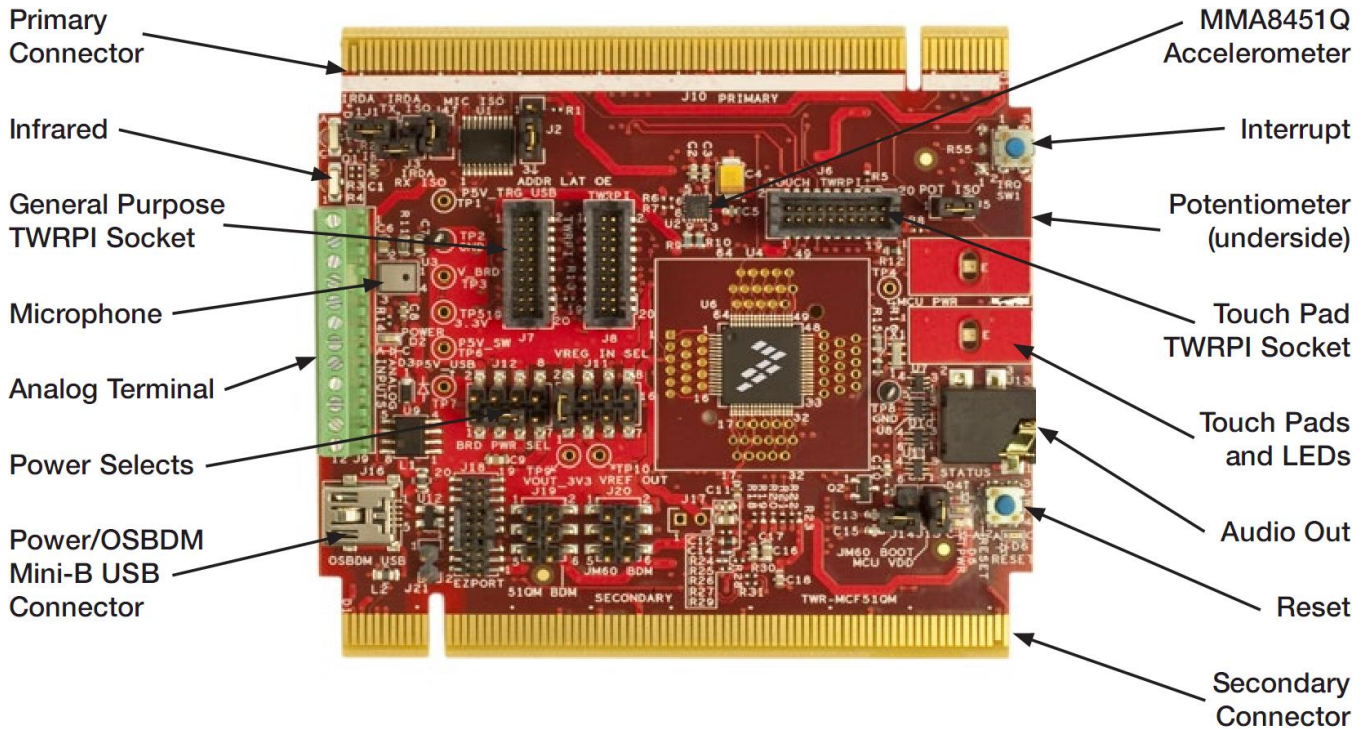


Figure 2. Callouts on front side of the TWR-MCF51QM

1.3 Getting Started

Follow the Quick Start Guide found printed in the TWR-MCF51QM box or the interactive DVD for the list of recommended steps for getting started. Check for new or revised documentation on the tool support page for the TWR-MCF51QM: <http://www.freescale.com/TWR-MCF51QM>.

1.4 Reference Documents

The documents listed below should be referenced for more information on the ColdFire+ devices, Freescale Tower System, and the TWR-MCF51QM Controller Module. These can be found in the documentation section of [freescale.com/TWR-MCF51QM](http://www.freescale.com/TWR-MCF51QM) or [freescale.com/coldfire+](http://www.freescale.com/coldfire+).

- *TWR-MCF51QM-QSG: Quick Start Guide*
- *TWR-MCF51QM-SCH: Schematics*
- *TWR-MCF51QM-PWA: Design Package*
- *ColdFire+ Portfolio Product Brief*
- *MCF51QM128 Reference Manual*
- *Tower Configuration Tool*
- *Tower Mechanical Drawing*

2 Hardware Description

The TWR-MCF51QM is a Tower Controller Module featuring the MCF51QM128—a ColdFire+ based microcontroller with high-precision analog in a 64 LQFP package. It is intended for use in the Freescale Tower System but can operate stand-alone. An on-board debug circuit, OSBDM, provides a BDM interface and a power supply input through a single USB mini-AB connector. Figure 3 shows a block diagram of the TWR-MCF51QM. The following sections describe the hardware in more detail.

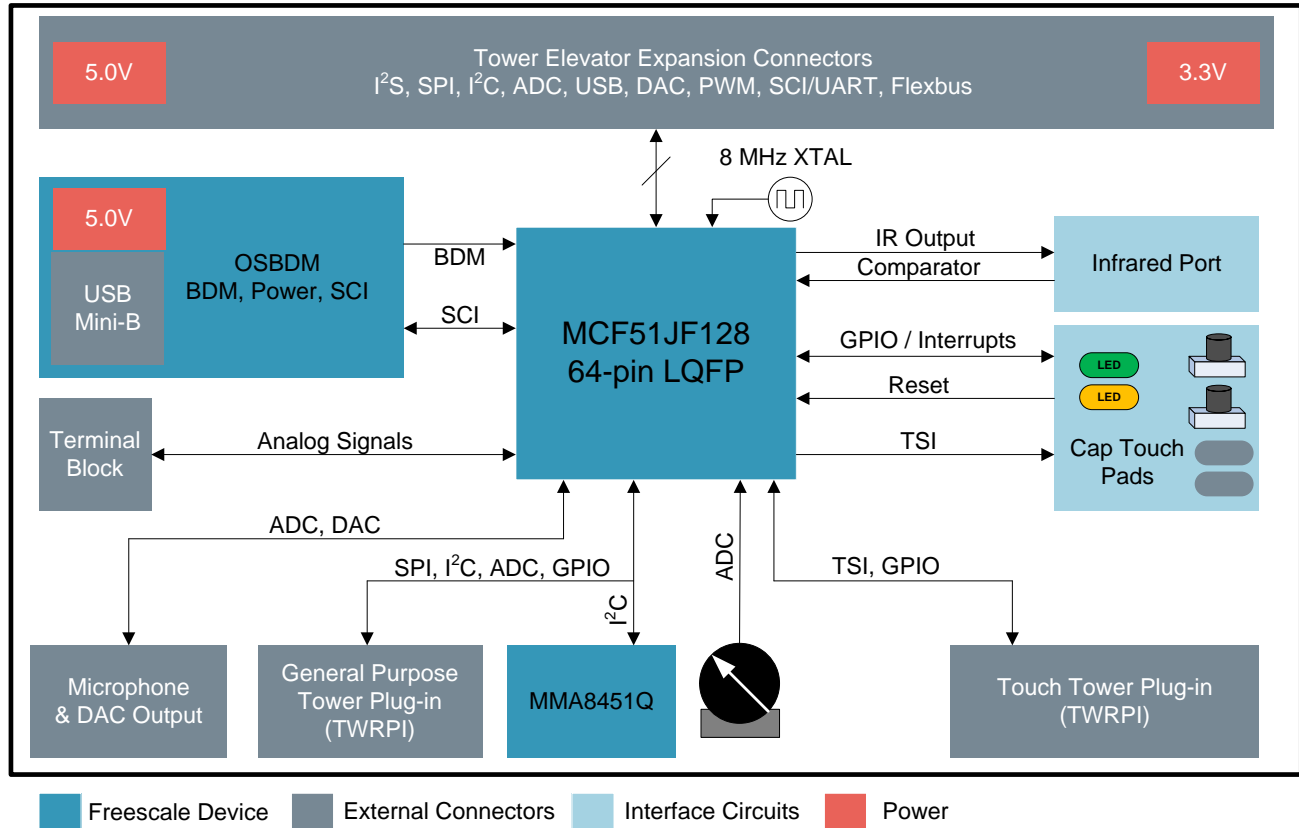


Figure 3. TWR-MCF51QM Block Diagram

2.1 MCF51QM Microcontroller

The TWR-MCF51QM module features the MCF51QM128VLH. The key features of the microcontroller are listed here:

- 32-bit ColdFire+ core with FlexMemory, EMAC, and DIV hardware acceleration
- 50 MHz maximum core operating frequency
- 64-pin LQFP, 9mm x 9mm
- 1.71V – 3.6V operating voltage input range
- 128 Kbytes of program flash, 32 Kbytes of static RAM
- FlexMemory consisting of 32 Kbytes of FlexMemory that can be used as additional non-volatile flash or up to 2KB of enhanced EEPROM.
- 10 flexible low power modes, ideal for extending battery life
- Cryptographic Acceleration Unit (CAU) and Random Number Generator (RNGB)
- for secure communications
- Integrated capacitive touch sensing support: low power touch sensing interface (TSI)
- Integrated 16-bit SAR ADC with up to 18 single-ended channels and one differential pair
- Real-time debug support, with six hardware breakpoints that can be configured to halt the processor or generate debug interrupt
- External bus interface
- Multi-purpose clock generator with PLL and FLL operation modes; multiple input oscillator or resonator frequency ranges; two internal trimmable references

- High-speed analog comparator with 6-bit DAC
- Programmable voltage reference
- SPI, I²C (w/ SMBUS support), UART (w/ ISO7816 and IrDA),
- GPIO with pin interrupt support, DMA request capability, digital glitch filtering

2.2 Clocking

The ColdFire+ MCUs start up from an internal digitally controlled oscillator (DCO). Software can enable the main external oscillator (EXTAL2/XTAL2) if desired. The external oscillator/resonator for the Multipurpose Clock Generator (MCG) module can range from 32.768 KHz up to a 32 MHz.

The TWR-MCF51QM provides an 8 MHz ceramic resonator as shown in Figure 4 below and sheet 4 of the schematics.

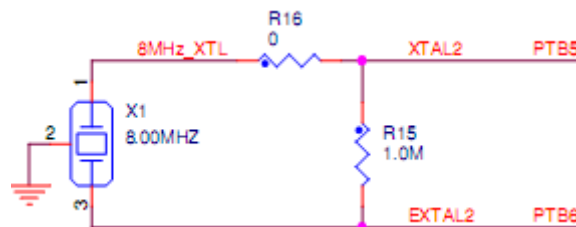


Figure 4. Main Oscillator Input

Additionally, the TWR-MCF51QM provides an optional crystal that can feed the low-power oscillator (EXTAL1/XTAL1). The low-power oscillator can be used to clock the low-power timer and other features of the MCF51QM in very low-power stop modes. Two 0 ohm resistors (not populated by default) provide a means for isolating EXTAL1 and XTAL1 connections to the crystal circuit so that these pins can be used for other purposes.

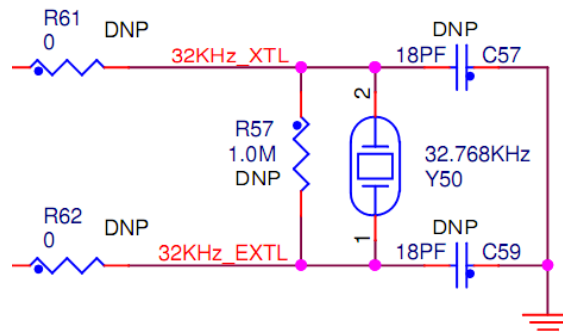


Figure 5. Low-power Oscillator Input

2.3 System Power

When installed into a Tower System, the TWR-MCF51QM can be powered from either an on-board source or from another source in the assembled Tower System.

In stand-alone operation, the main power source for the TWR-MCF51QM module is derived from the 5.0V input from either the OSBDM USB mini-B connector (J16) or the EzPort header (J18) when a shunt is placed on jumper J24. Two low-dropout regulators provide 3.3V and 1.8V supplies from the 5.0V input voltage. Additionally, the 3.3V regulator built into the MCF51QM can be selected. All the user selectable options can be configured using two headers, J11 and J12.

The J11 header is used to select the power source that is supplied to one of the three possible voltage regulators. The J12 header is used to select the regulated board power source. Refer to Table 1 and Table 2 for details.

Table 1. J11, Regulator Power Source Selection

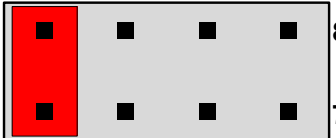
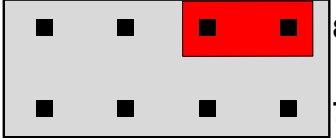
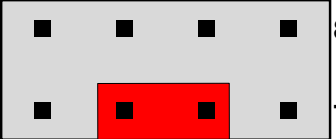
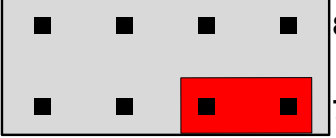
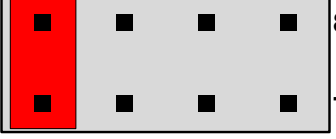
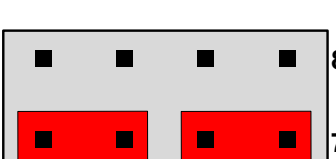
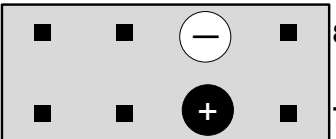
J13 Shunt Setting		Description
	1-2	Power from the OSBDM interface (J16) supplied to the on-board voltage regulators. This is a default setting .
	6-8	Power from the Tower Primary Connector USB device interface supplied to the MCF51QM on-chip regulator.

Table 2. J12, Board Power Source Selection

J14 Shunt Setting		Description
	3-5	Board power is supplied by the 3.3V on-board (external) regulator. This is the default setting .
	5-7	Board power is supplied by the 1.8V on-board (external) regulator.
	1-2	Board power is supplied by the 3.3V MCF51QM on-chip (internal) regulator.
	1-3 5-7	Power from the 3.3V MCF51QM on-chip (internal) regulator is supplied to the 1.8V on-board (external) regulator. Board power is supplied by the 1.8V on-board (external) regulator. Note: Take care not to install a shunt on J11 pins 1-2 when J12 is in this configuration. It is recommended to remove the shunt from J11 1-2 and use it on J12 for this setting.
	—	An external battery or other alternate source can be connected to pins 5 (positive) and 6 (negative, ground).

The 3.3V or 1.8V power supplied to the MCU is routed through a jumper, J15. The jumper shunt can be removed to allow for either 1) alternate MCU supply voltages to be injected or 2) the measurement of power consumed by the MCU.

2.4 Debug Interface

There are two debug interface options provided: the on-board OSBMD circuit and an external Background Debug Mode (BDM) connector. The BDM connector is a standard 6-pin connector providing an external debugger cable with access to the BDM interface of the MCF51QM128. Alternatively, the on-board OSBMD debug interface can be used to access the debug interface of the MCF51QM128.

2.4.1 OSBDM

An on-board MC9S08JM60 based Open Source BDM (OSBDM) circuit provides a BDM debug interface to the MCF51QM. A standard USB A male to mini-B male cable (provided) can be used for debugging via the USB connector, J16. The OSJTAG interface also provides a USB to serial bridge. Drivers for the OSBDM interface are provided in the *P&E Micro OSBDM/OSJTAG Tower Toolkit* (available on the included DVD). These drivers and more utilities can be found online at <http://www.pemicro.com/osbmd>.

2.5 Infrared Port

An infrared transmit and receive interface is implemented as shown in Figure 6 below. The CMT_IRO pin directly drives an infrared diode. The receiver uses an infrared phototransistor connected to an on-chip analog comparator through a low-pass filter. Internal to the MCF51QM device, the output of the analog comparator can be routed to a UART module for easier processing of the incoming data stream.

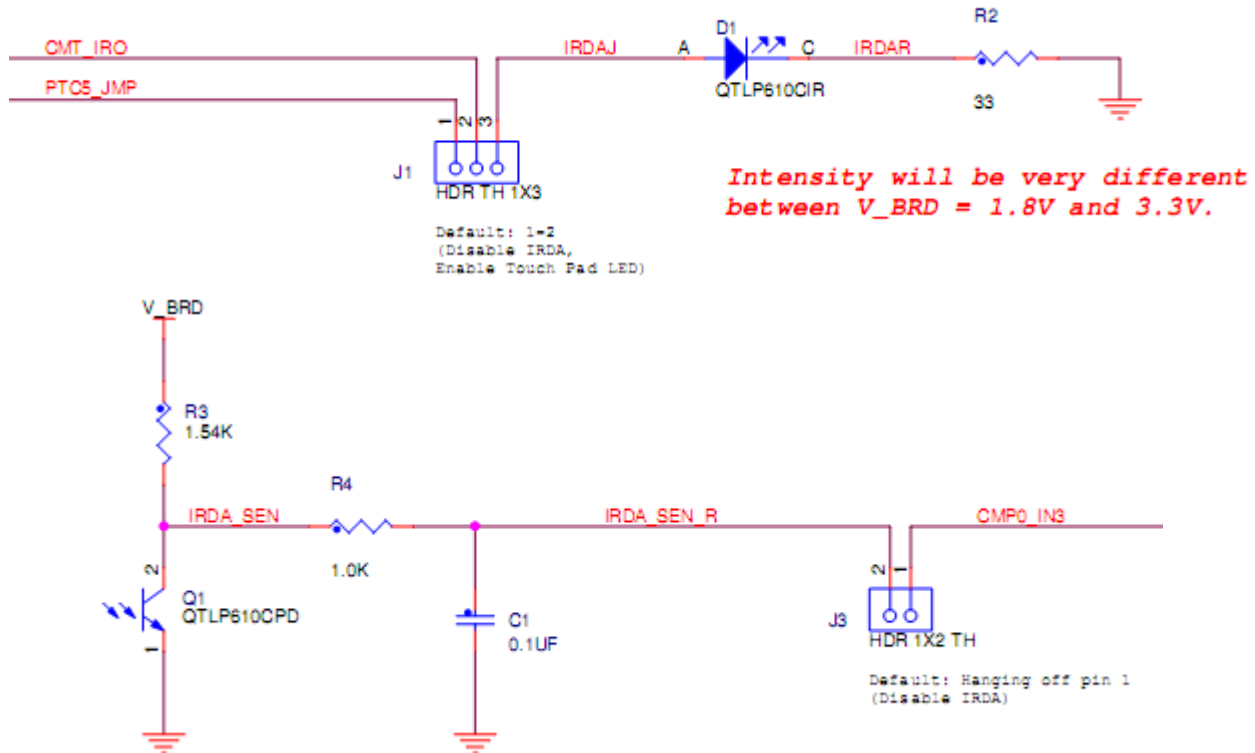


Figure 6. Infrared Port Implementation

Note: The PTC5 pin is shared between the Infrared circuit and the green LED (D50). Jumper J1 routes the signal to either the infrared (shunt on pin 2-3) or LED (shunt on 1-2).

2.6 Accelerometer

An MMA8451Q digital accelerometer is connected to the MCF51QM MCU through an I2C interface (I2C0, PTC6 and PTC7) and two GPIO/IRQ signals (PTD0 and PTD1).

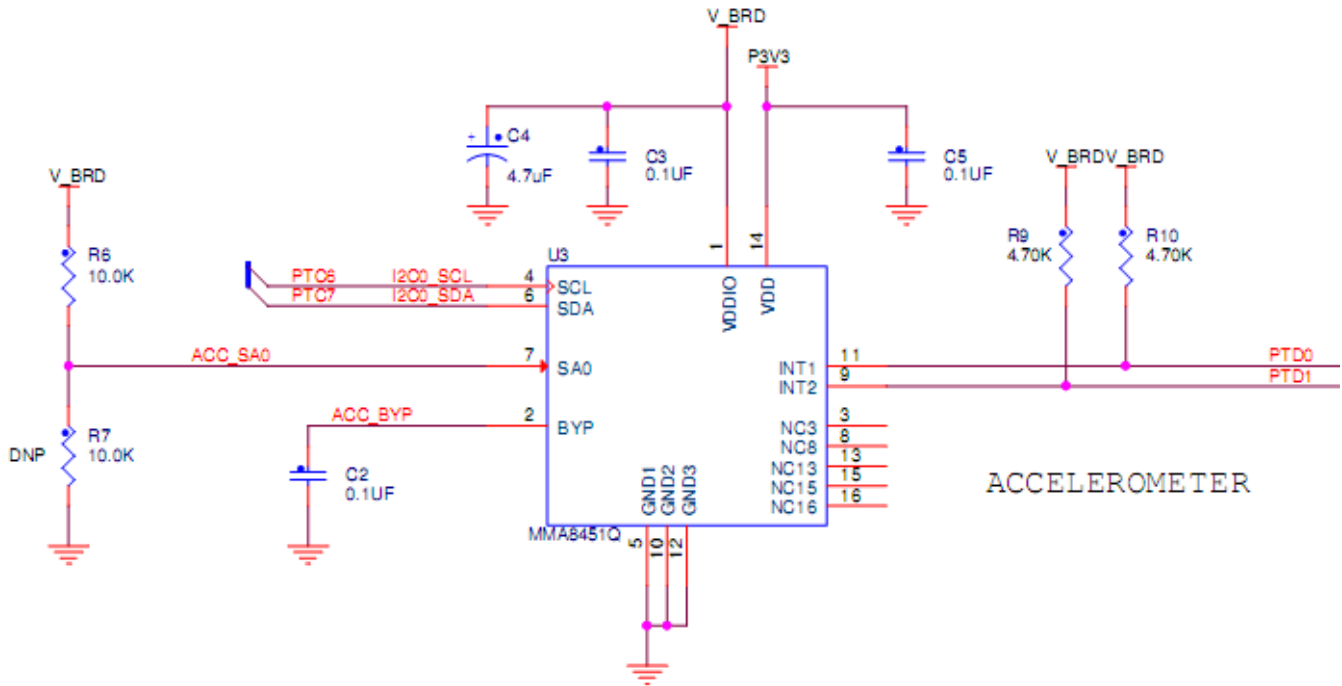


Figure 7. Accelerometer Circuit

2.7 Potentiometer, Pushbuttons, LEDs

The TWR-MCF51QM features one pushbutton switch (SW1) connected to the IRQ signal (PTB0), one pushbutton switch (SW2) connected to the master reset signal (PTC1), two capacitive touch pad electrodes connected to TSI0_CH10 (PTB1) and TSI0_CH9 (PTE1), two user-controllable LEDs—one green and one orange—connected to GPIO signals (PTC5 and PTA0), and a potentiometer connected to an ADC input signal (ADC0_SE12, PTD5). Refer to Table 4 “I/O Connectors and Pin Usage Table” for more information.

2.8 Microphone

A microphone circuit is provided allowing for sampling of audio data. A single-ended ADC signal (ADC0_SE11, PTD4) is used to sample the value on the microphone IC output. A jumper, J4, is provided to isolate the ADC signal from the microphone so that it can be used for other purposes (refer to Table 4 “I/O Connectors and Pin Usage Table” for more information).

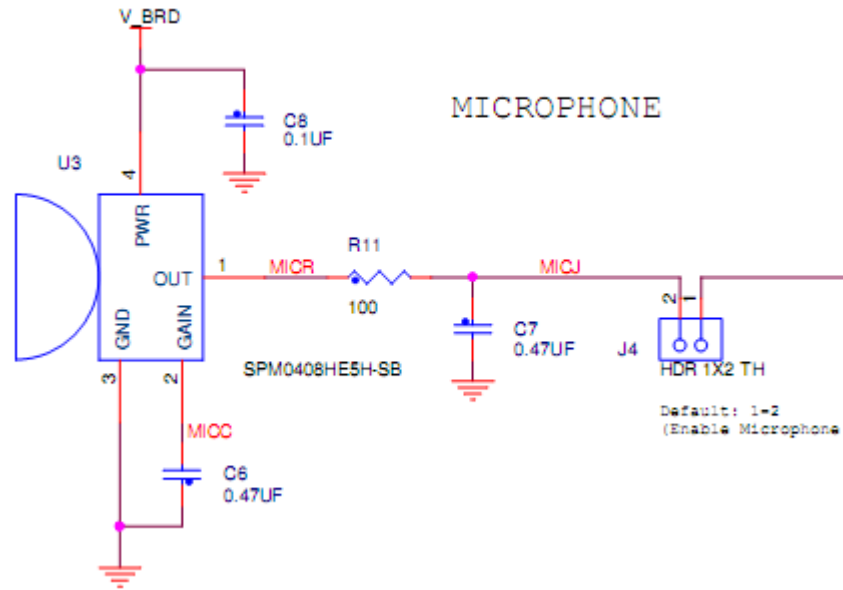


Figure 8. Microphone circuit

2.9 Audio Output

The 12-bit DAC output signal from the MCF51QM is connected directly to a standard 3.5 mm audio jack.

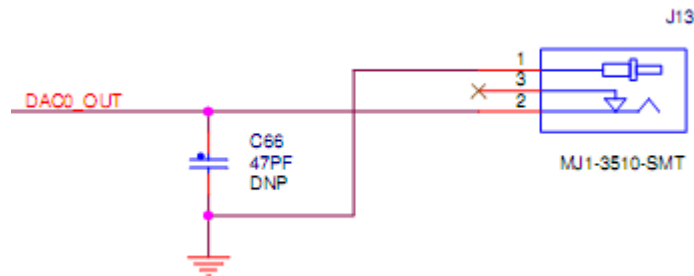


Figure 9. Audio output (DAC) circuit

2.10 General Purpose Tower Plug-in (TWRPI) Socket

The TWR-MCF51QM features a socket that can accept a variety of different Tower Plug-in modules featuring sensors, RF transceivers, and more. The General Purpose TWRPI socket provides access to I2C, SPI, IRQs, GPIOs, timers, analog conversion signals, TWRPI ID signals, reset, and voltage supplies. The pinout for the TWRPI Socket is defined in Table 1.

Refer to Table 4 “I/O Connectors and Pin Usage Table” for the specific MCF51QM pin connections to the General Purpose TWRPI socket.

Table 1. General Purpose TWRPI socket pinout

Left-side 2x10 Connector		Right-side 2x10 Connector	
Pin	Description	Pin	Description
1	5V VCC	1	GND
2	3.3 V VCC	2	GND
3	GND	3	I2C: SCL
4	3.3V VDDA	4	I2C: SDA
5	VSS (Analog GND)	5	GND
6	VSS (Analog GND)	6	GND
7	VSS (Analog GND)	7	GND
8	ADC: Analog 0	8	GND
9	ADC: Analog 1	9	SPI: MISO
10	VSS (Analog GND)	10	SPI: MOSI
11	VSS (Analog GND)	11	SPI: SS
12	ADC: Analog 2	12	SPI: CLK
13	VSS (Analog GND)	13	GND
14	VSS (Analog GND)	14	GND
15	GND	15	GPIO: GPIO0/IRQ
16	GND	16	GPIO: GPIO1/IRQ
17	ADC: TWRPI ID 0	17	GPIO: GPIO2
18	ADC: TWRPI ID 1	18	GPIO: GPIO3
19	GND	19	GPIO: GPIO4/Timer
20	Reset	20	GPIO: GPIO5/Timer

2.11 Touch Interface

The touch sensing input (TSI) module of the ColdFire+ MCUs provides capacitive touch sensing detection with high sensitivity and enhanced robustness. Each TSI pin implements the capacitive measurement of an electrode.

The TWR-MCF51QM provides two methods for evaluating the TSI module. There are two electrodes on-board the TWR-MCF51QM that simulate pushbuttons. Additionally, six TSI signals are connected to a Touch Tower Plug-in (TWRPI) socket that can accept Touch TWRPI daughter cards that may feature keypads, rotary dials, sliders, etc.

The pinout for the Touch TWRPI socket is defined in Table 2. Refer to Table 4 “I/O Connectors and Pin Usage Table” for the specific MCF51QM pin connections to the Touch TWRPI socket.

Table 2. Touch TWRPI socket pinout

Pin	Description
1	5V VCC
2	3.3 V VCC
3	Electrode 0
4	3.3V VDDA
5	Electrode 1
6	VSS (Analog GND)
7	Electrode 2

Pin	Description
8	Electrode 3
9	Electrode 4
10	Electrode 5
11	Electrode 6
12	Electrode 7
13	Electrode 8
14	Electrode 9
15	Electrode 10
16	Electrode 11
17	ADC: TWRPI ID 0
18	ADC: TWRPI ID 1
19	GND
20	Reset

2.12 Analog Terminal Block

The MCF51QM features high-precision integrated analog. Many of the external signals are brought to strip of screw terminals for easy user access.

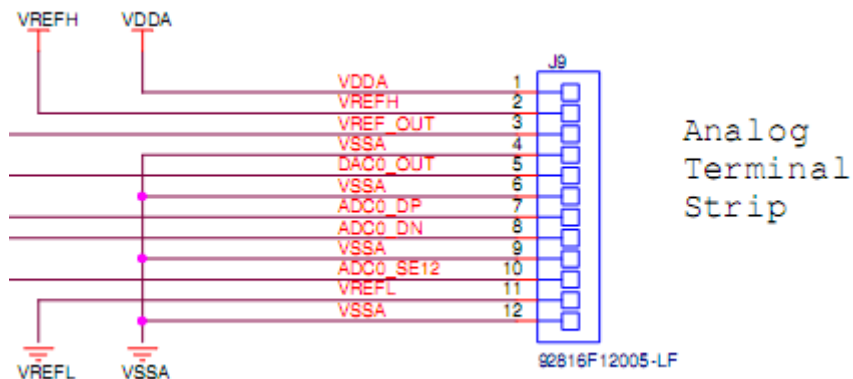


Figure 10. Analog Terminal Block

2.13 External Bus Interface – FlexBus

The MCF51QM device features a multi-function external bus interface called the FlexBus interface controller capable of interfacing to slave-only devices. The FlexBus interface is not used directly on the TWR-MCF51QM. Instead, a subset of the FlexBus is connected to the Primary Connector so that the external bus can access devices on Tower peripheral modules. Refer to Table 5 “TWR-MCF51QM Primary Connector Pinout” and sheet 9 of the TWR-MCF51QM schematics for more details.

3 Jumper Table

There are several jumpers on the TWR-MCF51QM that provide configuration selection and signal isolation. Refer to the following table for details. The default installed jumper settings are shown in bold with asterisks.

Table 3. TWR-MCF51QM Jumper Table

Jumper	Option	Setting	Description
J1	Infrared Transmitter and Green LED Connection	*1-2*	Connect PTC5/CMT_IRO to IR Transmitter (D1)
		2-3	Connect PTC5 to Green user-controllable LED
J2	Flexbus Address Latch Selection	1-2	Flexbus address latch disabled
		2-3	Flexbus address latch enabled
J3	Infrared Received Connection	ON	Connect PTC2/CMP0_IN3 to IR Receiver (Q1)
		OFF	Disconnect PTC2/CMP0_IN3 from IR Receiver
J4	Microphone Connection	*ON*	Connect PTD4/ADC0_SE11 to microphone
		OFF	Disconnect PTD4/ADC0_SE11 from microphone
J5	Potentiometer Connection	*ON*	Connect PTD5/ADC0_SE12 to potentiometer
		OFF	Disconnect PTD5/ADC0_SE12 from potentiometer
J11	Regulator Power Source Selection	*1-2*	Refer to Table 1
J12	Board Power Source Selection	*3-5*	Refer to Table 2
J14	OSBDM Mode Selection	ON	OSBDM bootloader mode (OSBDM firmware reprogramming)
		OFF	Debugger mode
J15	MCU Power Connection	*ON*	Connect on-board power supply to MCU
		OFF	Isolate MCU from power supply (allows for external supply or power measurements)
J21	EzPort Power Connection	ON	Connect on-board 5V supply to EzPort header (supports powering board from external EzPort probe)
		OFF	Disconnect on-board 5V supply from EzPort header

4 Input/Output Connectors and Pin Usage Table

The following table provides details on which MCF51QM pins are using to communicate with the LEDs, switches, and other I/O interfaces onboard the TWR-MCF51QM.

Note: Some port pins are used in multiple interfaces on-board and many are potentially connected to off-board resources via the Tower Primary Connector. Take care to avoid attempted simultaneous usage of mutually exclusive features.

Table 4. I/O Connectors and Pin Usage Table

Feature	Connection	Port Pin	Pin Function	Shared With
OSBDM Virtual Serial	OSBDM Bridge RX Data	PTD6	UART0_RX	
	OSBDM Bridge TX Data	PTA7	UART0_TX	
Infrared Port	IR Transmit	PTC5	CMT_IRO	LED, GP TWRPI
	IR Receive	PTC2	CMPO_IN3	
Pushbuttons	SW1 (IRQ)	PTB0	IRQ	
	SW2 (RESET)	PTC1	RESET_B	
Touch Pads	E1 / Touch	PTE1	TSIO_CH9	Touch TWRPI

	E2 / Touch	PTB1	TSIO_CH10	Touch TWRPI
LEDs	E1 / Orange LED	PTA0	PTA0 / FTM1_CH0	
	E2 / Green LED	PTC5	PTC5 / RGPIO5	IR, GP TWRPI
Potentiometer	Potentiometer (R57)	PTD5	ADCO_SE12	GP TWRPI
Microphone	Microphone (U4)	PTD4	ADCO_SE11	GP TWRPI
Audio Output	3.5mm Jack (J16)	—	DACO_OUT	
Accelerometer	I2C SDA	PTC7	I2C0_SDA	GP TWRPI
	I2C SCL	PTC6	I2C0_SCL	GP TWRPI
	INT1	PTD0	PTD0 (input)	
	INT2	PTD1	PTD1 (input)	
Touch Pad TWRPI Socket	Electrode 0 (J6 Pin 3)	PTD2	TSIO_CH1	GP TWRPI
	Electrode 1 (J6 Pin 5)	PTE1	TSIO_CH9	Touch Pad
	Electrode 2 (J6 Pin 7)	PTB1	TSIO_CH10	Touch Pad
	Electrode 3 (J6 Pin 8)	PTE2	TSIO_CH11	
	Electrode 4 (J6 Pin 9)	PTE3	TSIO_CH12	
	Electrode 5 (J6 Pin 10)	PTB2	TSIO_CH13	
	TWRPI ID0 (J6 Pin 17)	PTE4	ADCO_SE19	Flexbus
	TWRPI ID1 (J6 Pin 18)	PTE5	ADCO_SE20	Flexbus
	TWRPI ID1 (J6 Pin 20)	PTC1	RESET_B	
General Purpose TWRPI Socket	TWRPI AN0 (J7 Pin 8)	PTD5	ADCO_SE12	Potentiometer
	TWRPI AN1 (J7 Pin 9)	PTD4	ADCO_SE11	Microphone
	TWRPI AN2 (J7 Pin 12)	PTD2	ADCO_SE9	Touch TWRPI
	TWRPI ID0 (J7 Pin 17)	PTE6	ADCO_SE21	
	TWRPI ID1 (J7 Pin 18)	PTE7	ADCO_SE22	
	TWRPI Reset	PTC1	RESET_B	
	TWRPI I2C SCL (J8 Pin 3)	PTC6	I2C0_SCL	Accelerometer
	TWRPI I2C SDA (J8 Pin 4)	PTC7	I2C0_SDA	Accelerometer
	TWRPI SPI MISO (J8 Pin 9)	PTA4	SPI1_MISO	
	TWRPI SPI MOSI (J8 Pin 10)	PTA5	SPI1_MOSI	
	TWRPI SPI SS (J8 Pin 11)	PTA2	SPI1_SS	
	TWRPI SPI CLK (J8 Pin 12)	PTA3	SPI1_SCLK	
	TWRPI GPIO0 (J8 Pin 15)	PTB7	PTB7	
	TWRPI GPIO1 (J8 Pin 16)	PTC0	PTC0	
	TWRPI GPIO2 (J8 Pin 17)	PTC5	PTC5	LED, IR
	TWRPI GPIO3 (J8 Pin 18)	PTF4	PTF4	Flexbus
TWRPI GPIO4 (J8 Pin 19)	PTF7	PTF7		

5 Tower Elevator Connections

The TWR-MCF51QM features two expansion card-edge connectors that interface to the Primary and Secondary Elevator boards in a Tower system. The Primary Connector (comprised of sides A and B) is

utilized by the TWR-MCF51QM while the Secondary Connector (comprised of sides C and D) only makes connections to the GND pins. Table 5 provides the pinout for the Primary Connector.

Table 5. TWR-MCF51QM Primary Connector Pinout

Pin #	Side B		Pin #	Side A	
	Name	Usage		Name	Usage
B1	5V	5.0V Power	A1	5V	5.0V Power
B2	GND	Ground	A2	GND	Ground
B3	3.3V	3.3V Power	A3	3.3V	3.3V Power
B4	ELE_PS_SENSE	Elevator Power Sense	A4	3.3V	3.3V Power
B5	GND	Ground	A5	GND	Ground
B6	GND	Ground	A6	GND	Ground
B7	SDHC_CLK / SPI1_CLK	PTC6	A7	SCL0	PTC6
B8	SDHC_D3 / SPI1_CS1_b		A8	SDA0	PTC7
B9	SDHC_D3 / SPI1_CS0_b	PTF0	A9	GPIO9 / CTS1	PTD7
B10	SDHC_CMD / SPI1_MOSI	PTF3	A10	GPIO8 / SDHC_D2	PTB7
B11	SDHC_D0 / SPI1_MISO	PTF2	A11	GPIO7 / SD_WP_DET	PTC0
Separator					
B12	ETH_COL		A12	ETH_CRS	
B13	ETH_RXER		A13	ETH_MDC	
B14	ETH_TXCLK		A14	ETH_MDIO	
B15	ETH_TXEN		A15	ETH_RXCLK	
B16	ETH_TXER		A16	ETH_RXDV	
B17	ETH_TXD3		A17	ETH_RXD3	
B18	ETH_TXD2		A18	ETH_RXD2	
B19	ETH_TXD1		A19	ETH_RXD1	
B20	ETH_TXD0		A20	ETH_RXD0	
B21	GPIO1 / RTS1	PTE0	A21	SSI_MCLK	
B22	GPIO2 / SDHC_D1	PTE2	A22	SSI_BCLK	
B23	GPIO3		A23	SSI_FS	
B24	CLKIN0		A24	SSI_RXD	
B25	CLKOUT1		A25	SSI_TXD	
B26	GND	Ground	A26	GND	Ground
B27	AN7	PTD5	A27	AN3	
B28	AN6	PTD4	A28	AN2	
B29	AN5	PTA6	A29	AN1	
B30	AN4	PTD2	A30	AN0	
B31	GND	Ground	A31	GND	Ground
B32	DAC1		A32	DAC0	DAC0_OUT
B33	TMR3		A33	TMR1	
B34	TMR2		A34	TMR0	
B35	GPIO4	PTF7	A35	GPIO6	
B36	3.3V		A36	3.3V	3.3V Power
B37	PWM7		A37	PWM3	PTA3
B38	PWM6		A38	PWM2	PTA2
B39	PWM5	PTA5	A39	PWM1	PTA1
B40	PWM4	PTA4	A40	PWM0	PTA0
B41	CANRX0		A41	RXD0	PTF5
B42	CANTX0		A42	TXD0	PTF6
B43	1WIRE		A43	RXD1	PTD6

Pin #	Side B		Pin #	Side A	
	Name	Usage		Name	Usage
B44	SPIO_MISO	PTA4	A44	TXD1	PTA7
B45	SPIO_MOSI	PTA5	A45	VSS	VSSA
B46	SPIO_CS0_b	PTA2	A46	VDDA	VDDA
B47	SPIO_CS1_b		A47	VREFA1	VREFH
B48	SPIO_CLK	PTA3	A48	VREFA2	VREFL
B49	GND	Ground	A49	GND	Ground
B50	SCL1	PTD1	A50	GPIO14	
B51	SDA1	PTD0	A51	GPIO15	
B52	GPIO5 / SD_CARD_DET	PTF4	A52	GPIO16	
B53	USB0_DP_PDOWN		A53	GPIO17	
B54	USB0_DM_PDOWN		A54	USB0_DM	
B55	IRQ_H	PTB0	A55	USB0_DP	
B56	IRQ_G	PTB0	A56	USB0_ID	
B57	IRQ_F		A57	USB0_VBUS	VREGIN
B58	IRQ_E		A58	TMR7	
B59	IRQ_D		A59	TMR6	
B60	IRQ_C		A60	TMR5	
B61	IRQ_B	PTC4	A61	TMR4	
B62	IRQ_A	PTC4	A62	RSTIN_b	PTC1
B63	EBI_ALE / EBI_CS1_b	PTB3	A63	RSTOUT_b	PTC1
B64	EBI_CS0_b	PTB2	A64	CLKOUT0	PTC3
B65	GND	Ground	A65	GND	Ground
B66	EBI_AD15	PTA0	A66	EBI_AD14	PTD1
B67	EBI_AD16	PTA1	A67	EBI_AD13	PTD0
B68	EBI_AD17	PTA6	A68	EBI_AD12	PTC7
B69	EBI_AD18	PTC2	A69	EBI_AD11	PTC6
B70	EBI_AD19	PTF4	A70	EBI_AD10	PTF7
B71	EBI_R/W_b	PTF5	A71	EBI_AD9	PTF6
B72	EBI_OE_b	PTE3	A72	EBI_AD8	PTF3
B73	EBI_D7	PTF2	A73	EBI_AD7	Flexbus A7
B74	EBI_D6	PTF1	A74	EBI_AD6	Flexbus A6
B75	EBI_D5	PTF0	A75	EBI_AD5	Flexbus A5
B76	EBI_D4	PTE7	A76	EBI_AD4	Flexbus A4
B77	EBI_D3	PTE6	A77	EBI_AD3	Flexbus A3
B78	EBI_D2	PTE5	A78	EBI_AD2	Flexbus A2
B79	EBI_D1	PTE4	A79	EBI_AD1	Flexbus A1
B80	EBI_D0	PTD3	A80	EBI_AD0	Flexbus A0
B81	GND	Ground	A81	GND	Ground
B82	3.3V	3.3V Power	A82	3.3V	3.3V Power