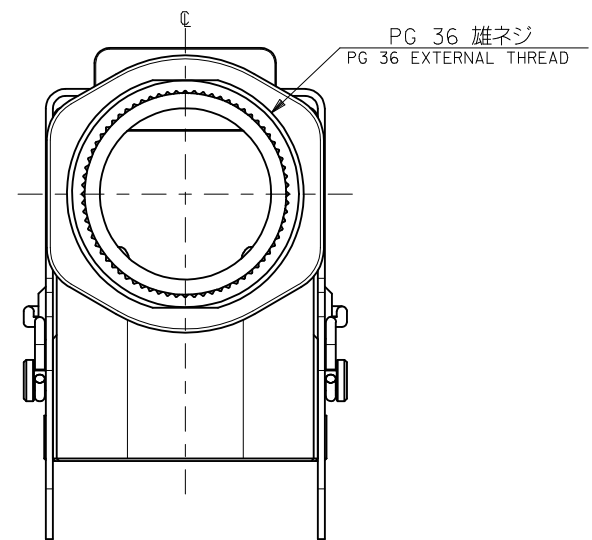
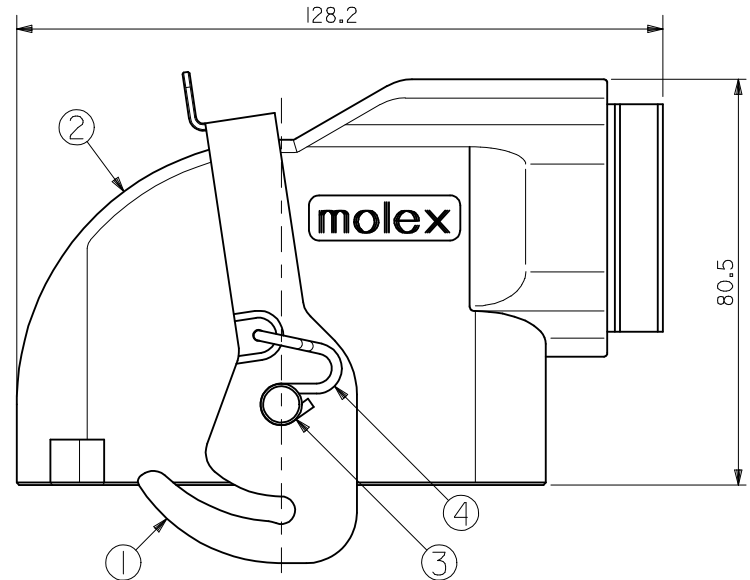
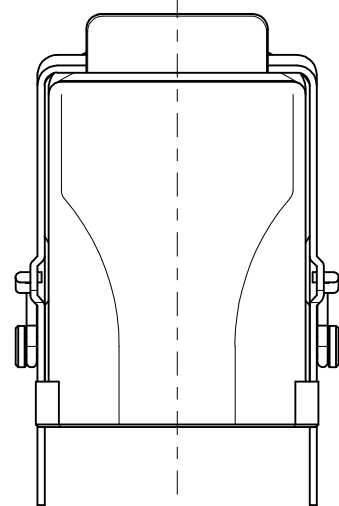
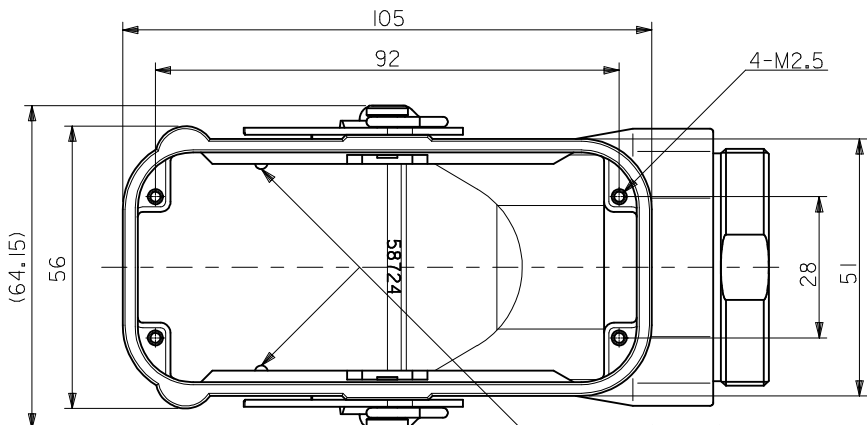


10 9 8 7 6 5 4 3 2 1



注記:  
NOTES.

1. 適用プラグシェルアッセンブリ  
APPLICABLE PLUG SHELL ASS'Y
  - 1.) TYPE A : 58721-0010
  - 2.) TYPE B : 58721-0020
2. 適用エンドベルキャップセット  
APPLICABLE END BELL CAP SET  
58866-\*\*\*\*

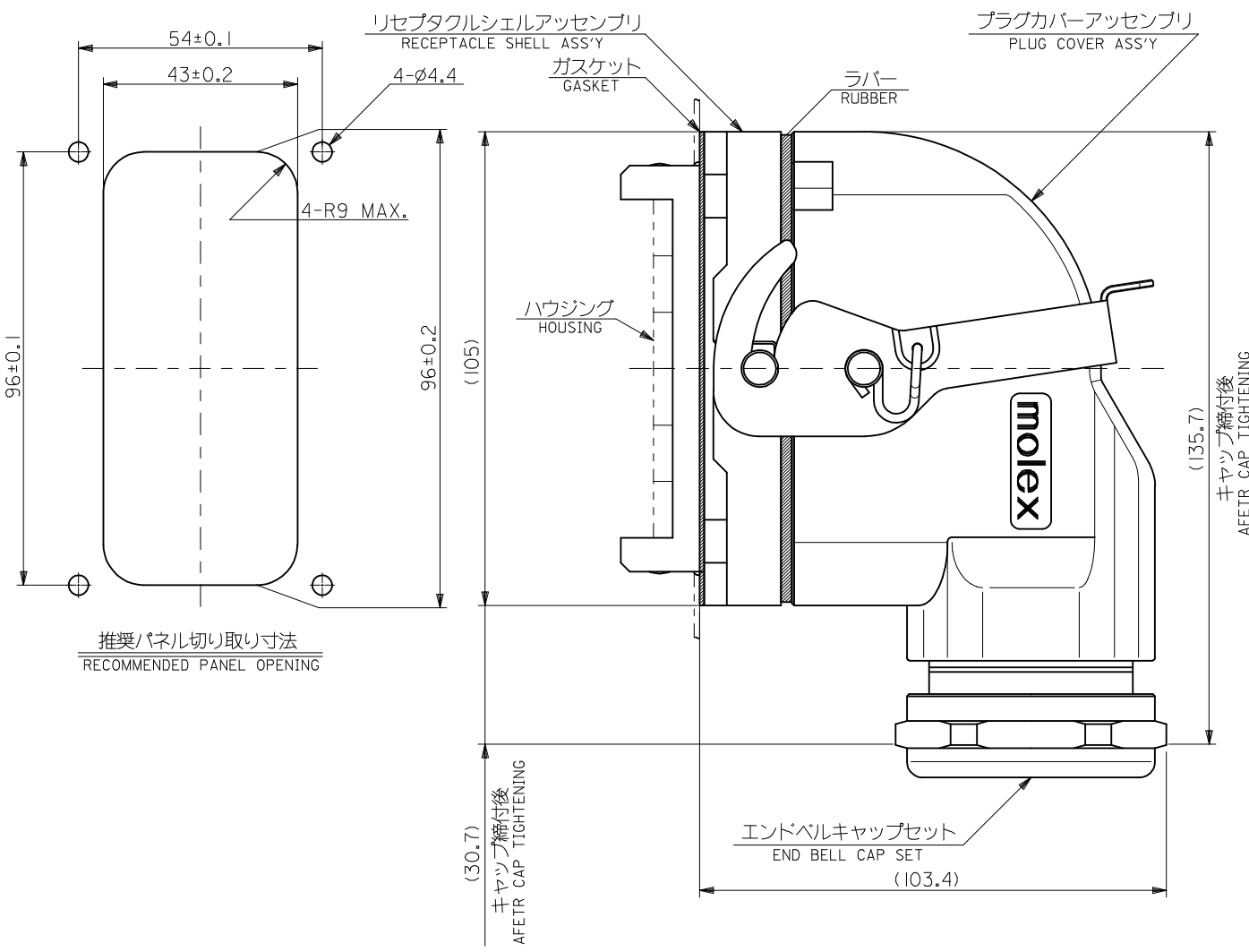


部番 No.	部品名 PART NAME	数量 QTY.	材質 MATERIAL	記事 ARTICLE
①	レバー LEVER	1	鋼 STEEL	塗装処理 PAINTING
②	プラグカバー PLUG COVER	1	アルミニウム合金 ALUMINIUM ALLOY	—
③	ロックピン LOCKING PIN	2	ステンレス STAINLESS STEEL	—
④	レバースプリング LEVER SPRING	2	ステンレス STAINLESS STEEL	—

58723-1010	58723-****
MATERIAL NO.	MODEL NO.

REVISED EC NO: J2009-0816 DRWN: YMAEDA 2008/11/05 CHKD: NUKITA 2008/12/19 APPR: NUKITA 2008/12/19	GENERAL TOLERANCES (UNLESS SPECIFIED)		DIMENSION STYLE MM ONLY		SCALE ---	DESIGN UNITS METRIC	THIRD ANGLE PROJECTION	
	10 UNDER	±0.2	DRAWN BY SAKIYAMA	DATE 2002/05/13	TITLE <b>POWER CONN. 48P RIGHT-ANGLE PLUG COVER ASS'Y</b>  MOLEX INCORPORATED			
	10 OVER 30 UNDER	±0.25	CHECKED BY JMIYAZAWA	DATE 2002/05/14				
	30 OVER	±0.3	APPROVED BY YITO	DATE 2002/05/14				
	ANGULAR ±3 °		MATERIAL NO. SEE CHART		DOCUMENT NO. SD-58723-006		SHEET NO. 1 OF 2	
DRAFT WHERE APPLICABLE MUST REMAIN WITHIN DIMENSIONS		THIS DRAWING CONTAINS INFORMATION THAT IS PROPRIETARY TO MOLEX INCORPORATED AND SHOULD NOT BE USED WITHOUT WRITTEN PERMISSION						

10 9 8 7 6 5 4 3 2 1



注記:  
NOTES:

1. 関連図面

- RELATION DRAWING
- リセプタクルシェルアッセンブリ : SD-58719-002  
RECEPTACLE SHELL ASS'Y
  - プラグシェルアッセンブリ : SD-58721-002  
PLUG SHELL ASS'Y
  - カバーアッセンブリ : SD-58723-006  
PLUG COVER ASS'Y
  - エンドベルキャップセット : SD-58866-002  
END BELL CAP SET
  - ピンハウジング : SD-51194-002  
PIN HOUSING : SD-51203-002
  - ソケットハウジング : SD-51195-002  
SOCKET HOUSING : SD-51204-002
  - ターミナル (ピン) : SD-5558GS\*\*  
TERMINAL (PIN) : SD-50637-\*\*\*\*  
: SD-59320-001
  - ターミナル (ソケット) : SD-5556GS\*\*  
TERMINAL (SOCKET) : SD-50638-\*\*\*\*  
: SD-59319-001

2. 関連規格

- RELATION NORMATIVE
- VDE0110 250V 汚染度Ⅲ  
過電圧カテゴリーⅡに適合  
APPLICABLE 250V POLLUTION DEGREE  
AND OVER VOLTAGE CATEGORY
- 保護等級 IP65  
DEGREE OF PROTECTION

推奨パネル切り取り寸法  
RECOMMENDED PANEL OPENING

キヤップ締付後  
AFETR CAP TIGHTENING

キヤップ締付後  
AFETR CAP TIGHTENING

REVISED	EC NO.: J2009-0816	2008/11/05	GENERAL TOLERANCES (UNLESS SPECIFIED)		DIMENSION STYLE MM ONLY		SCALE ---	DESIGN UNITS METRIC	THIRD ANGLE PROJECTION	
	DRWN: YMAEDA	2008/12/19	10 UNDER	±0.2	DRAWN BY	DATE	TITLE			
	CHKD: NUKITA	2008/12/19	10 OVER 30 UNDER	±0.25	CHECKED BY	DATE	POWER CONN. 48P RIGHT-ANGLE PLUG COVER ASS'Y			
	APPR: NUKITA	2008/12/19	30 OVER	±0.3	APPROVED BY	DATE				
DESCRIPTION	ANGULAR ±3 °		DRAFT WHERE APPLICABLE MUST REMAIN WITHIN DIMENSIONS		MATERIAL NO.		DOCUMENT NO.		SHEET NO.	
REV	SEE CHART		THIS DRAWING CONTAINS INFORMATION THAT IS PROPRIETARY TO MOLEX INCORPORATED AND SHOULD NOT BE USED WITHOUT WRITTEN PERMISSION		SD-58723-006		2 OF 2			