

NOTES:

1. MATERIAL:

HOUSING: LIQUID CRYSTAL POLYMER (LCP), GLAS-FILLED, UL 94V-0,

COLOR: BLASK

TERMINALS: BRASS

2. FINISH:

TERMINAL: 0.76 MICROMETERS/30 MICROINCHES MINIMUM SELECTIVE GOLD

IN CONTACT AREA; 1.27 MICROMETERS/50 MICROINCHES MINIMUM

SELECTIVE TIN IN THE PC TAIL AREA; NICKEL UNDERPLATE OVERALL

3. ASSEMBLY MATES WITH MOLEX P/N SDA-71660-\*\*\*\*

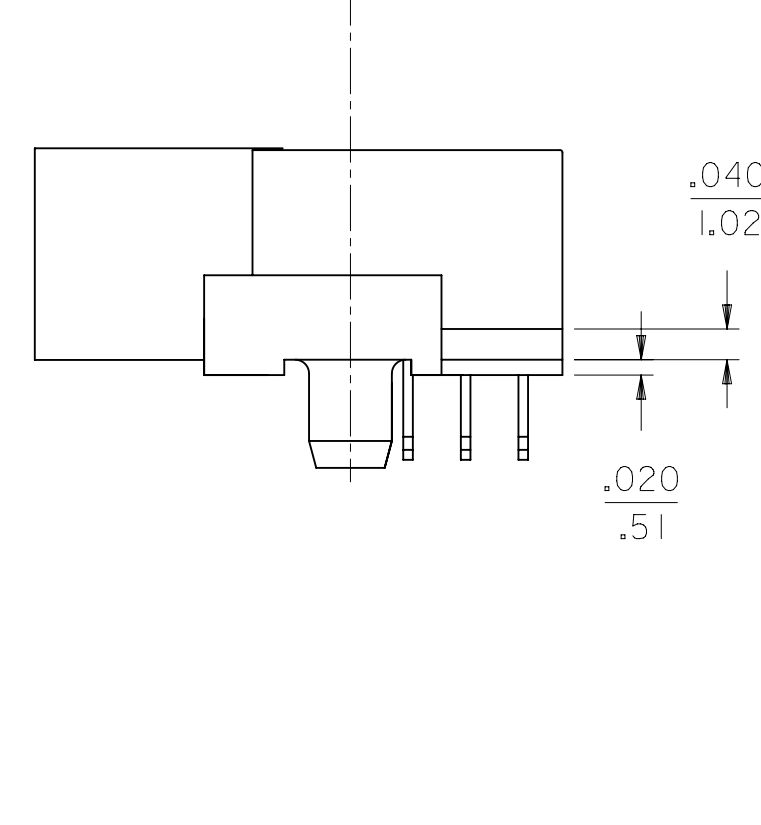
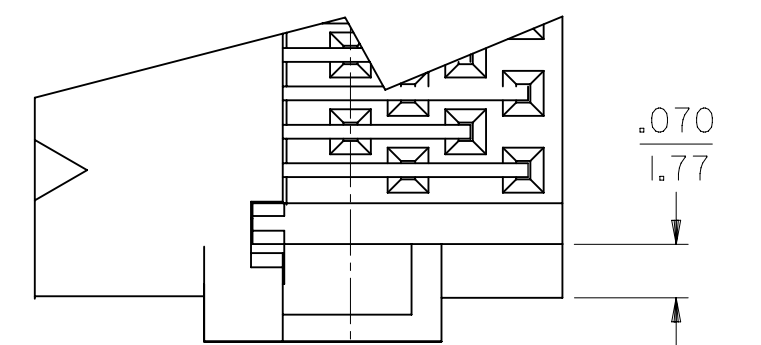
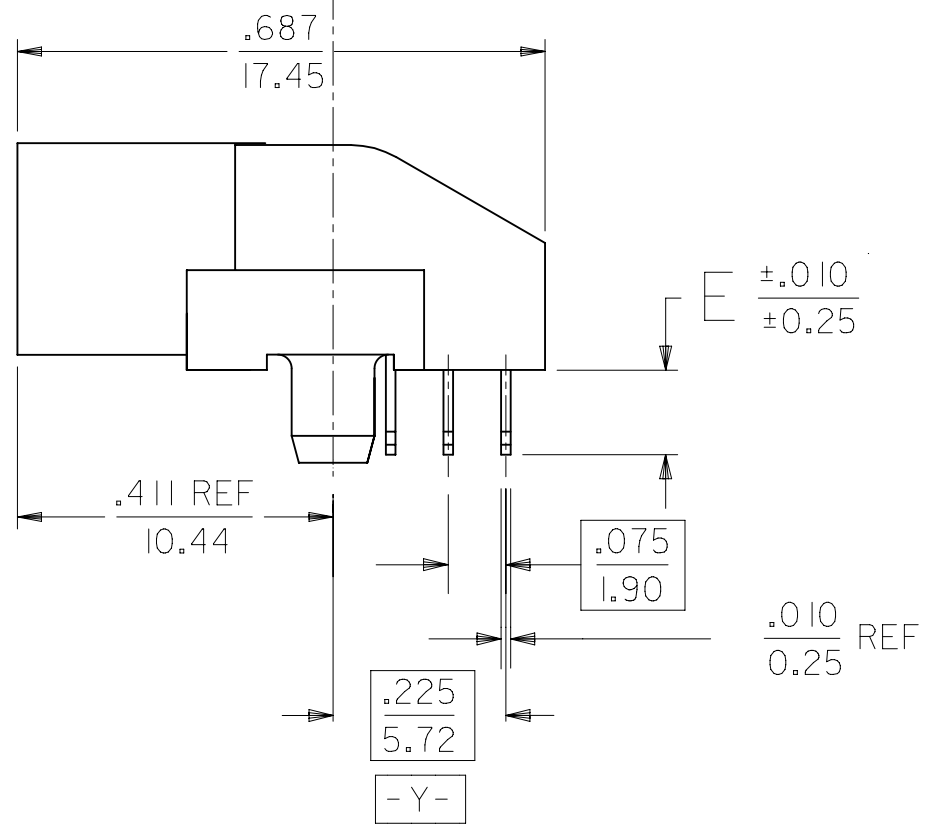
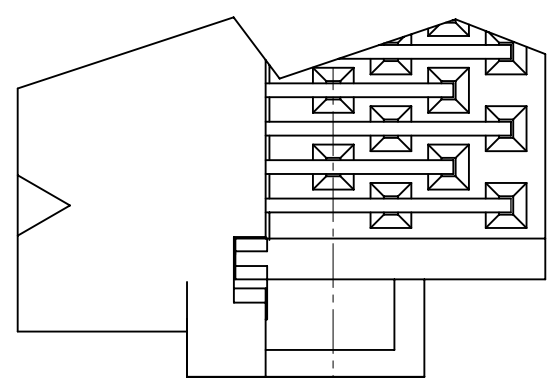
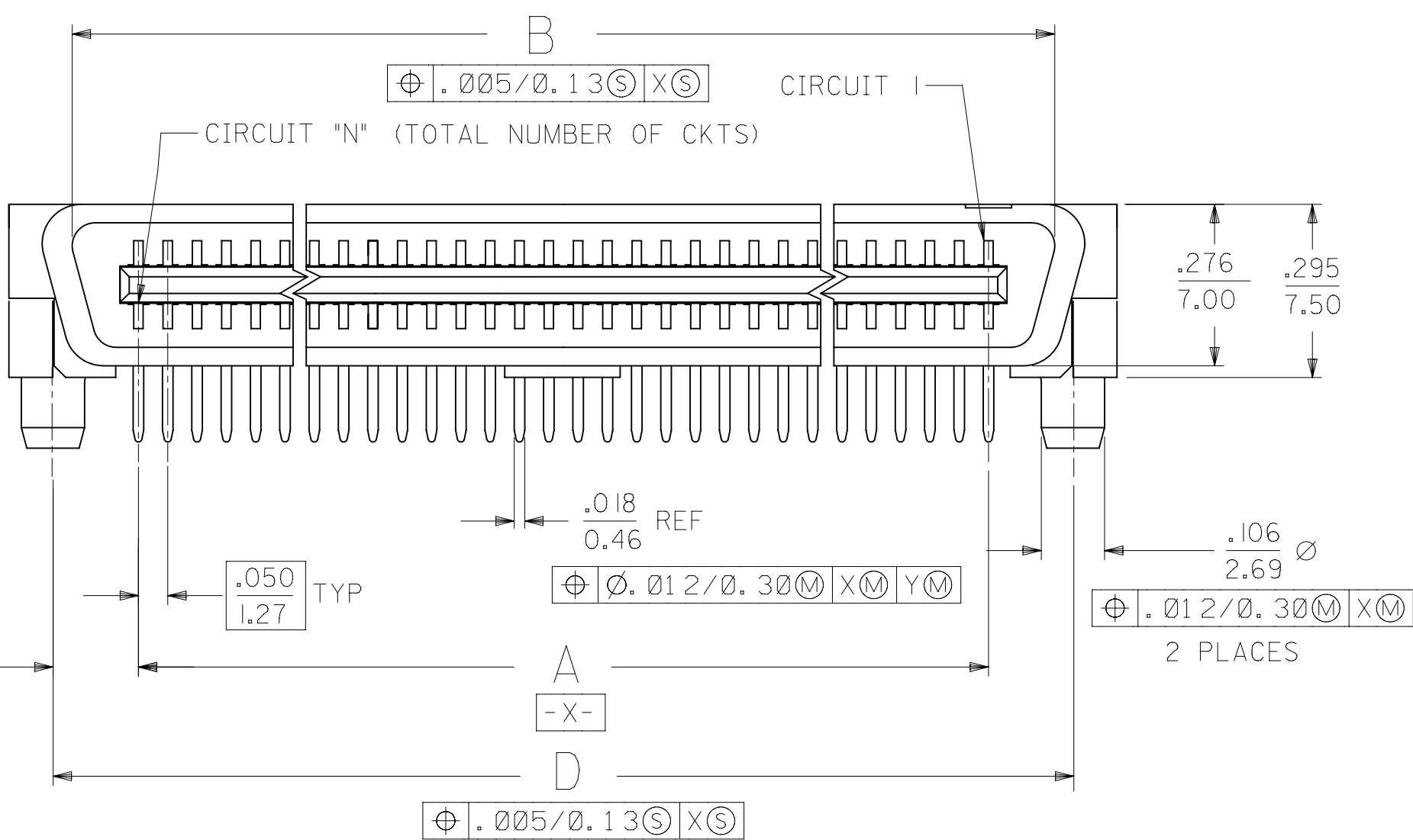
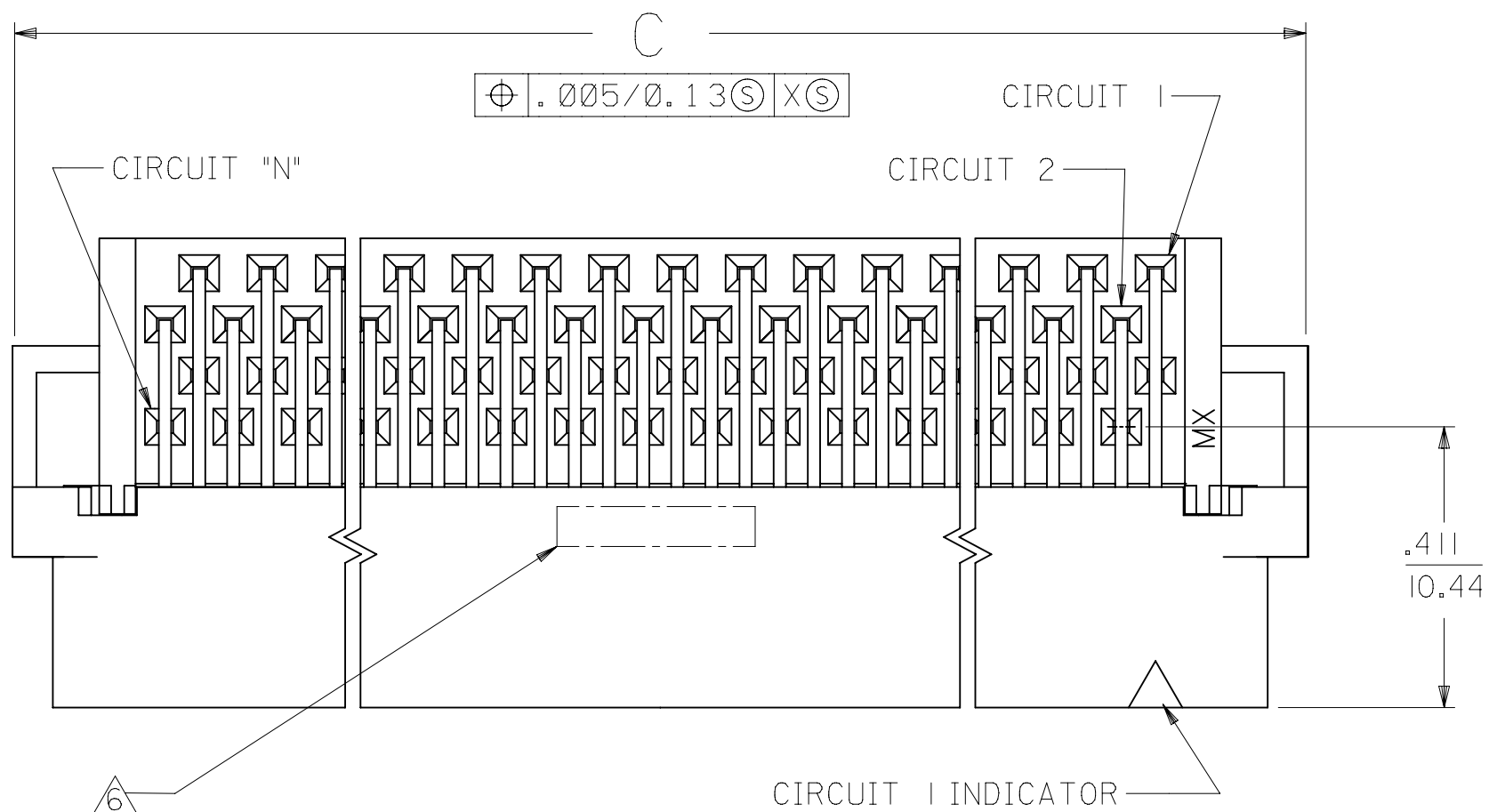
4. CONFORMS TO PRODUCT SPEC: PS-71660

5. RECOMMENDED PC BOARD THICKNESS IS .062/1.60

6. FOUR DIGIT DATE CODE (WK, YR) EXAMPLE 26 96 LOCATED IN AREA SHOWN

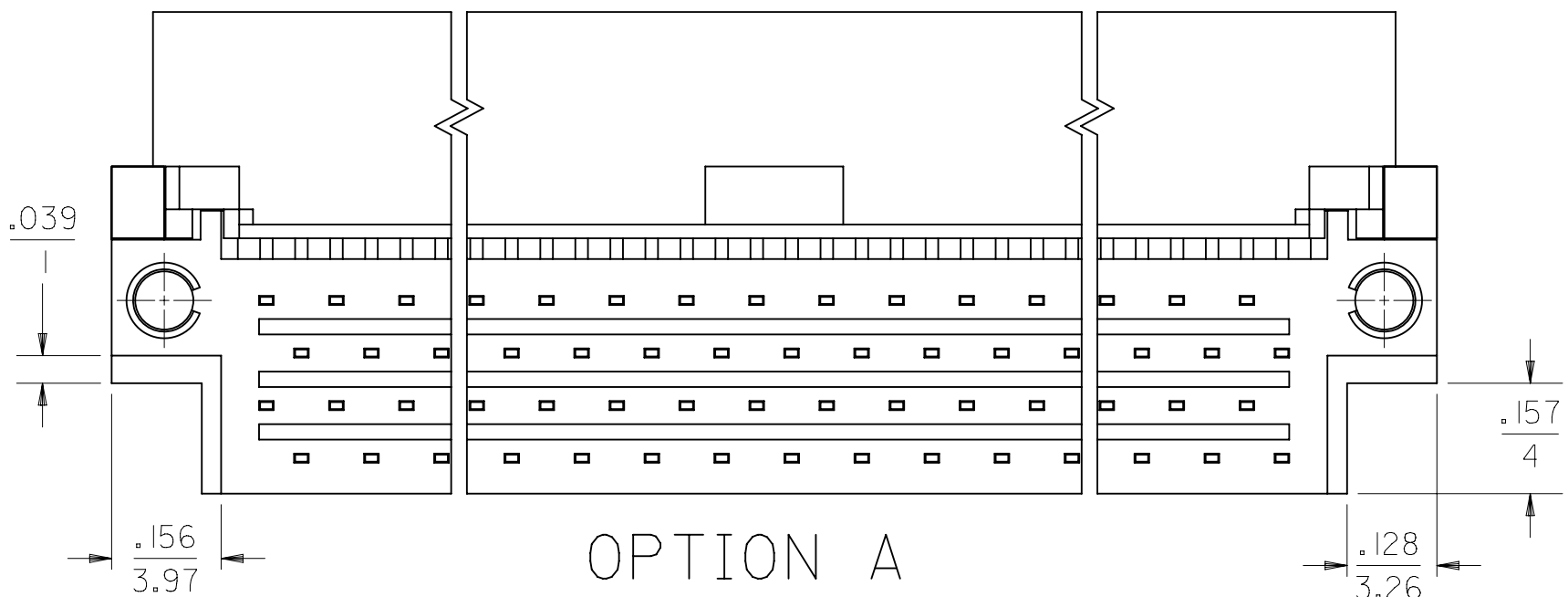
7. TOOLING STATUS: "X" INDICATES NO TOOLING AVAILABLE

CONTACT FACTORY FOR FURTHER INFORMATION



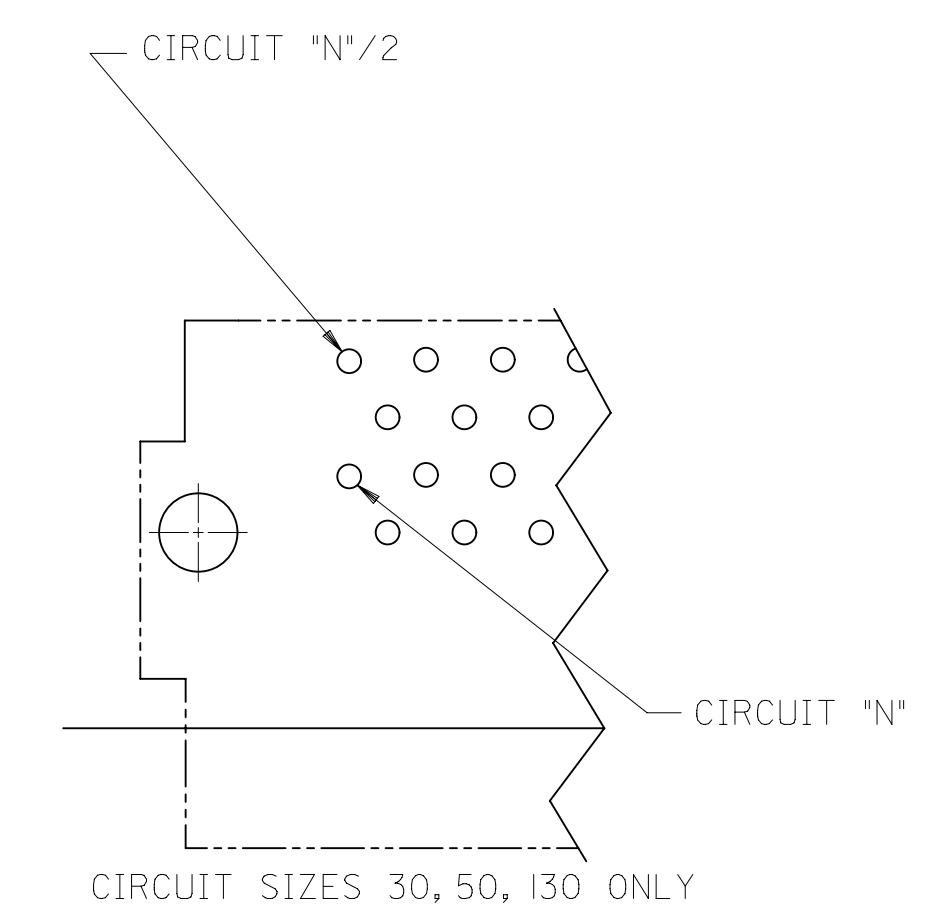
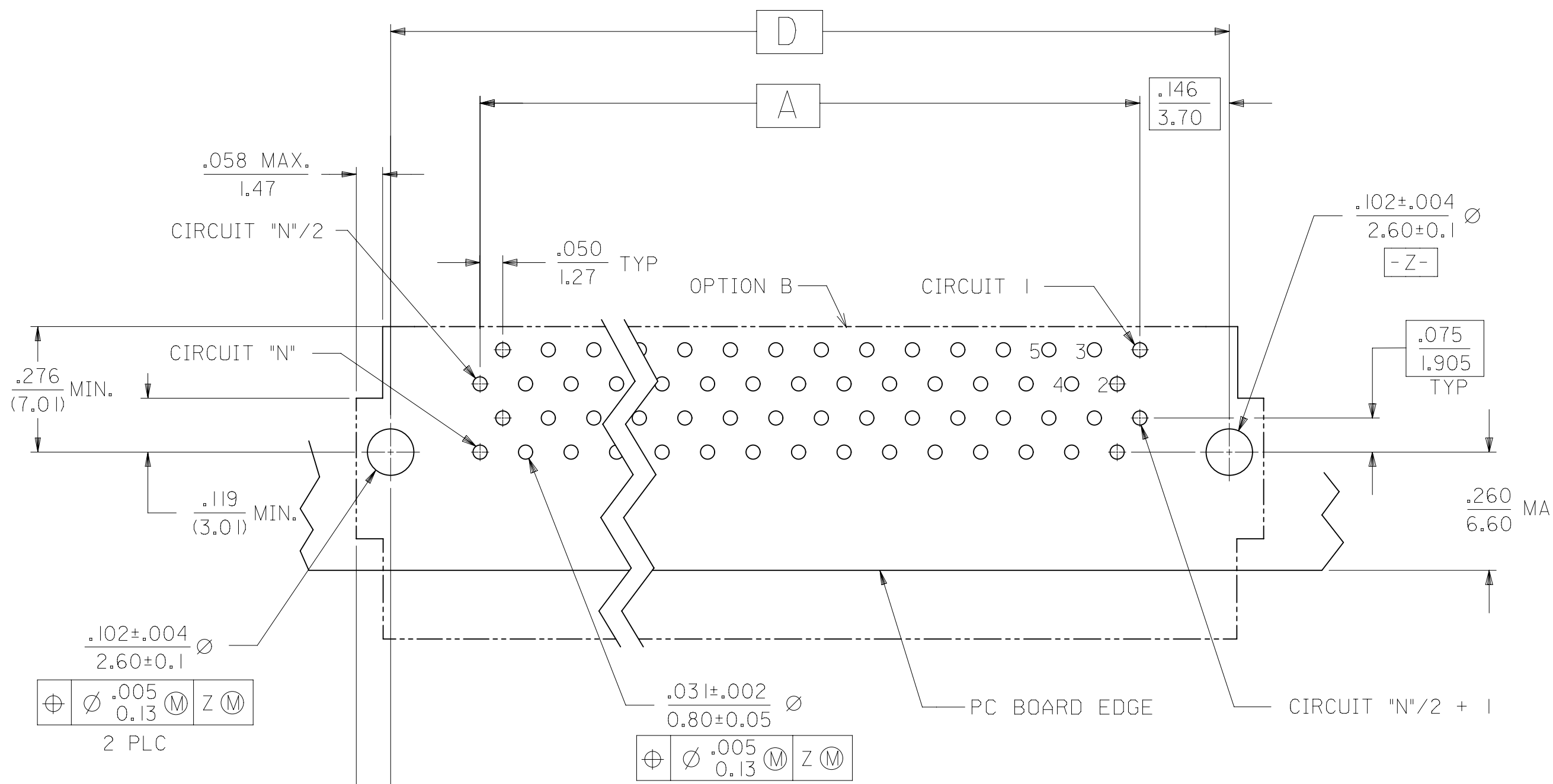
END DETAIL  
OPTION A  
(BOTH ENDS)

END DETAIL  
OPTION B  
(BOTH ENDS)

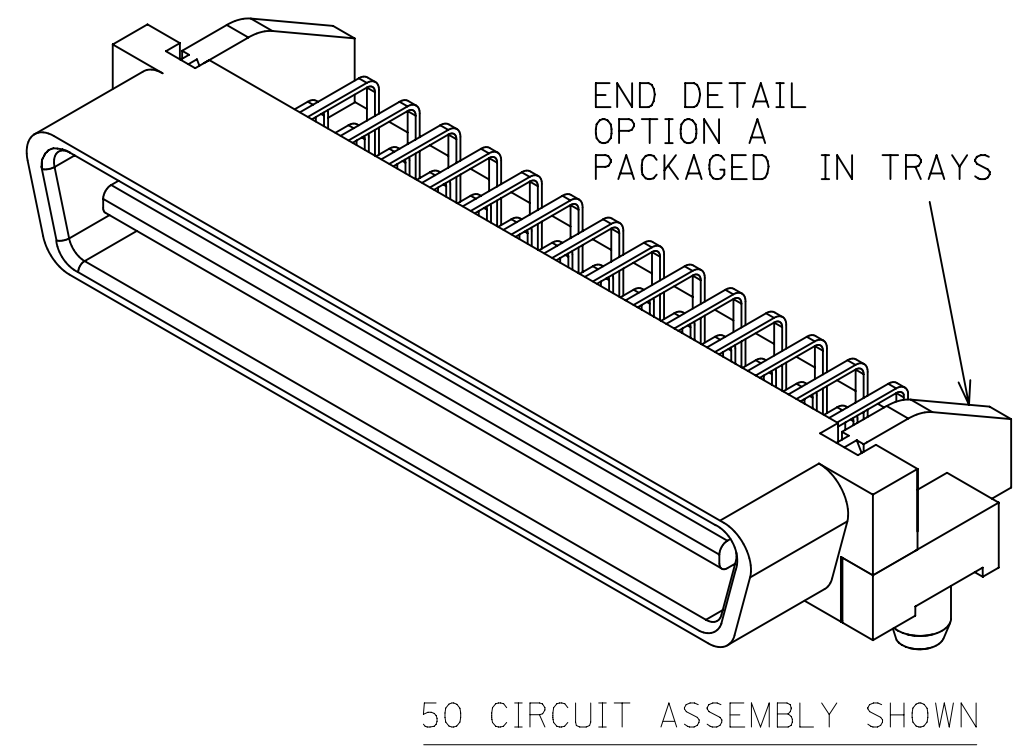


OPTION A

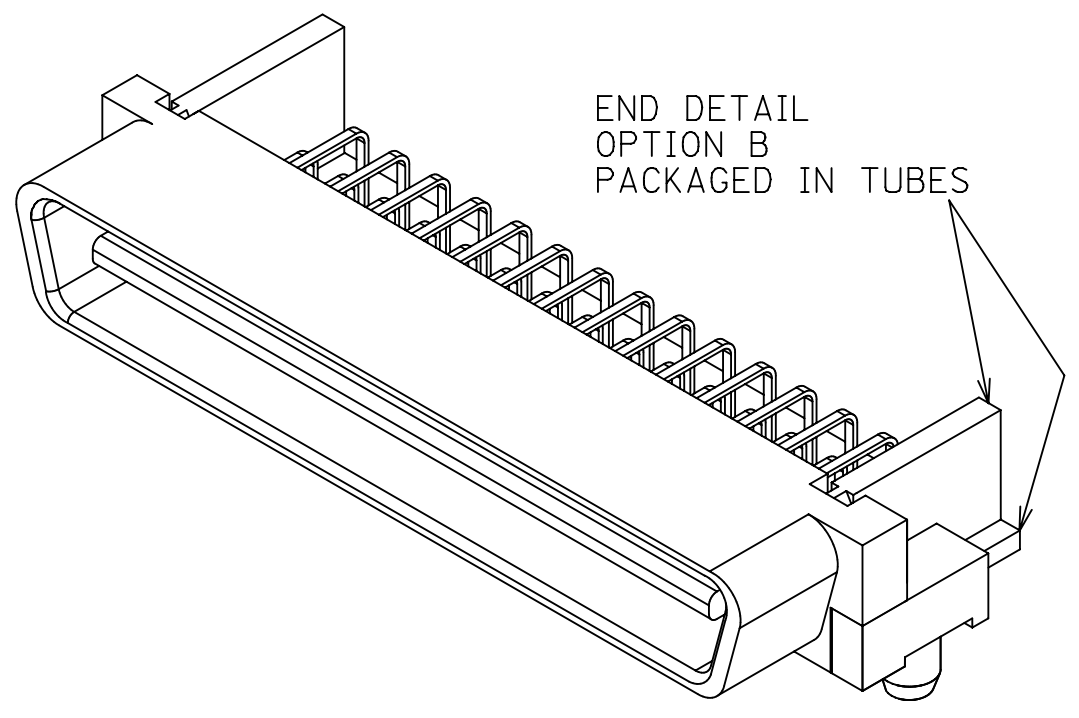
THIS DRAWING CONTAINS INFORMATION THAT IS PROPRIETARY TO MOLEX ELECTRONIC TECHNOLOGIES, LLC AND SHOULD NOT BE USED WITHOUT WRITTEN PERMISSION											
DIMENSION UNITS		SCALE		CURRENT REV DESC: REMOVED OBSOLETE PART NUMBER AS PER PCN#510808.							
INCH		4:1									
GENERAL TOLERANCES (UNLESS SPECIFIED)				EC NO: 736640		2023/01/31		SALES ASSEMBLY EBBI 50D RIGHT ANGLE PLUG CONNECTOR			
				DRWN: LIKITV		2023/02/16					
4 PLACES ±				CHK'D: GGA		2023/02/16		PRODUCT CUSTOMER DRAWING			
3 PLACES ± 0.01				APPR: GGA							
2 PLACES ± 0.25				INITIAL REVISION:				DOCUMENT NUMBER		DOC TYPE   DOC PART   REVISION	
1 PLACE ±				DRWN: DRAWN BY		0099/99/99		SDA-71661-2XXX		PSD 001 R1	
0 PLACES ±				APPR: APPR BY		0099/99/99		MATERIAL NUMBER		CUSTOMER	
ANGULAR TOL ± 0.5°				THIRD ANGLE PROJECTION		DRAWING		SERIES		SHEET NUMBER	
DRAFT WHERE APPLICABLE MUST REMAIN WITHIN DIMENSIONS				C-SIZE		71661		see table		GENERAL MARKET 1 OF 2	



**RECOMMENDED PC BOARD LAYOUT** **COMPONENT SIDE**



50 CIRCUIT ASSEMBLY SHOWN



END DETAIL  
OPTION B  
PACKAGED IN TUBES

TRAY PACK  
PER SPEC.  
PK-70873-084\*

END DETAIL  
OPTION "A"

.110 (2.79)	2.741 (69.63)	2.892 (73.45)	2.676 (67.97)	2.450 (62.23)	100	71661-2100
	1.241 (31.53)	1.392 (35.35)	1.176 (29.87)	.950 (24.13)	40	71661-2040
	.991 (25.18)	1.142 (29.00)	.925 (23.52)	.700 (17.78)	30	71661-2030
E	D	C	B	A	CKT ("N")	ITEM NUMBER

THIS DRAWING CONTAINS INFORMATION THAT IS PROPRIETARY TO MOLEX ELECTRONIC TECHNOLOGIES, LLC AND SHOULD NOT BE USED WITHOUT WRITTEN PERMISSION

DIMENSION UNITS <b>INCH</b>	SCALE <b>4:1</b>	CURRENT REV DESC: REMOVED OBSOLETE PART NUMBER AS PER PCN#510808.	<b>molex</b>			
GENERAL TOLERANCES (UNLESS SPECIFIED)		EC NO: 736640				SALES ASSEMBLY EBBI 50D RIGHT ANGLE PLUG CONNECTOR
4 PLACES ±	±	DRWN: LIKITV	2023/01/31			
3 PLACES ±	± 0.01	CHK'D: GGA	2023/02/16			
2 PLACES ±	0.25 ±	APPR: GGA	2023/02/16			
1 PLACE ±	±	INITIAL REVISION:	PRODUCT CUSTOMER DRAWING			
0 PLACES ±	±	DRWN: DRAWN BY	DOCUMENT NUMBER	DOC TYPE	DOC PART	REVISION
ANGULAR TOL ± 0.5°		APPR: APPR BY	<b>SDA-71661-2XXX</b>	PSD	001	<b>R1</b>
DRAFT WHERE APPLICABLE MUST REMAIN WITHIN DIMENSIONS	THIRD ANGLE PROJECTION	DRAWING	MATERIAL NUMBER	CUSTOMER	SHEET NUMBER	
		<b>C-SIZE</b>	see table	GENERAL MARKET	2 OF 2	
		SERIES				
		<b>71661</b>				