

MATERIALS AND FINISHES

BODY SEE TABLE
PLATED SEE TABLE

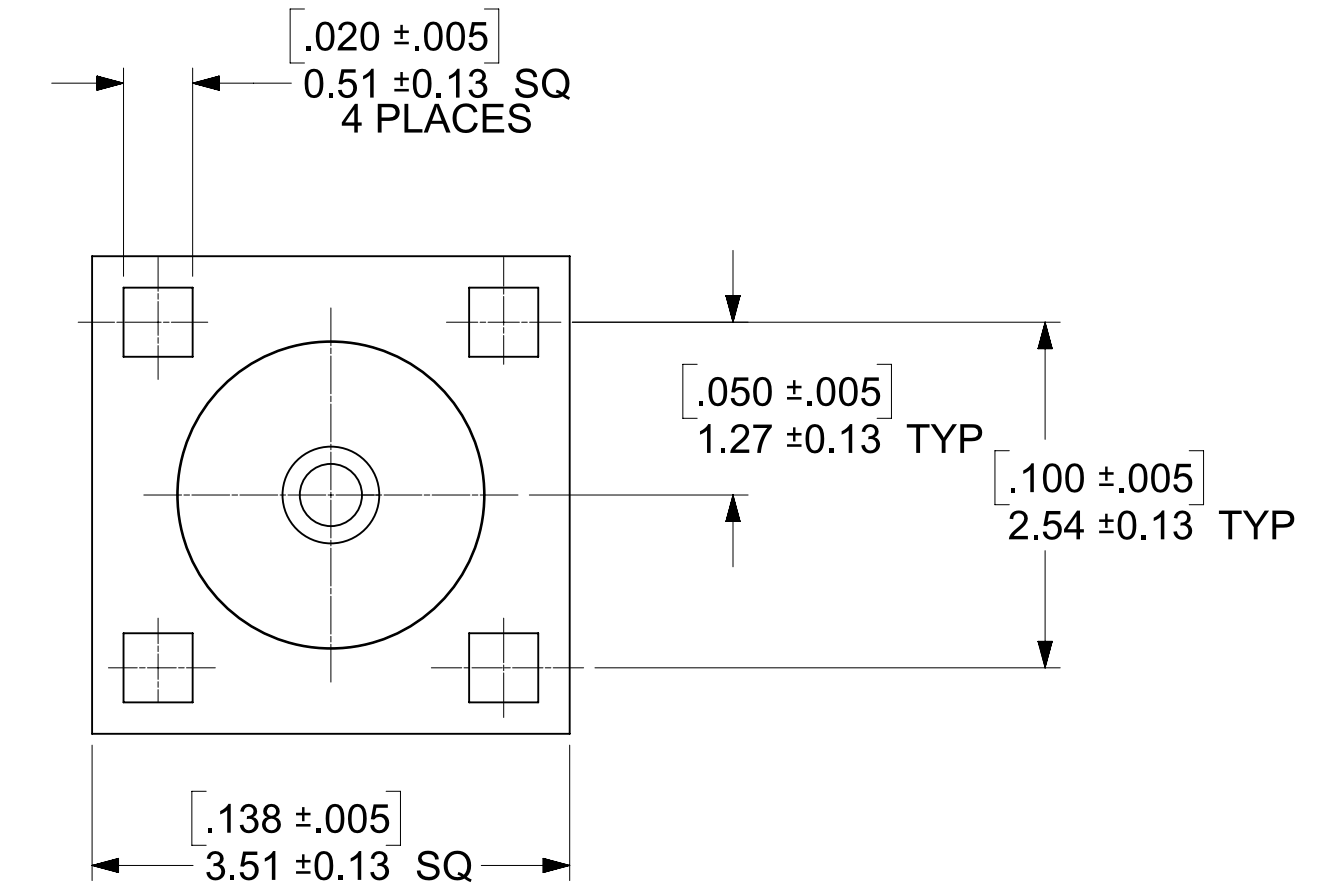
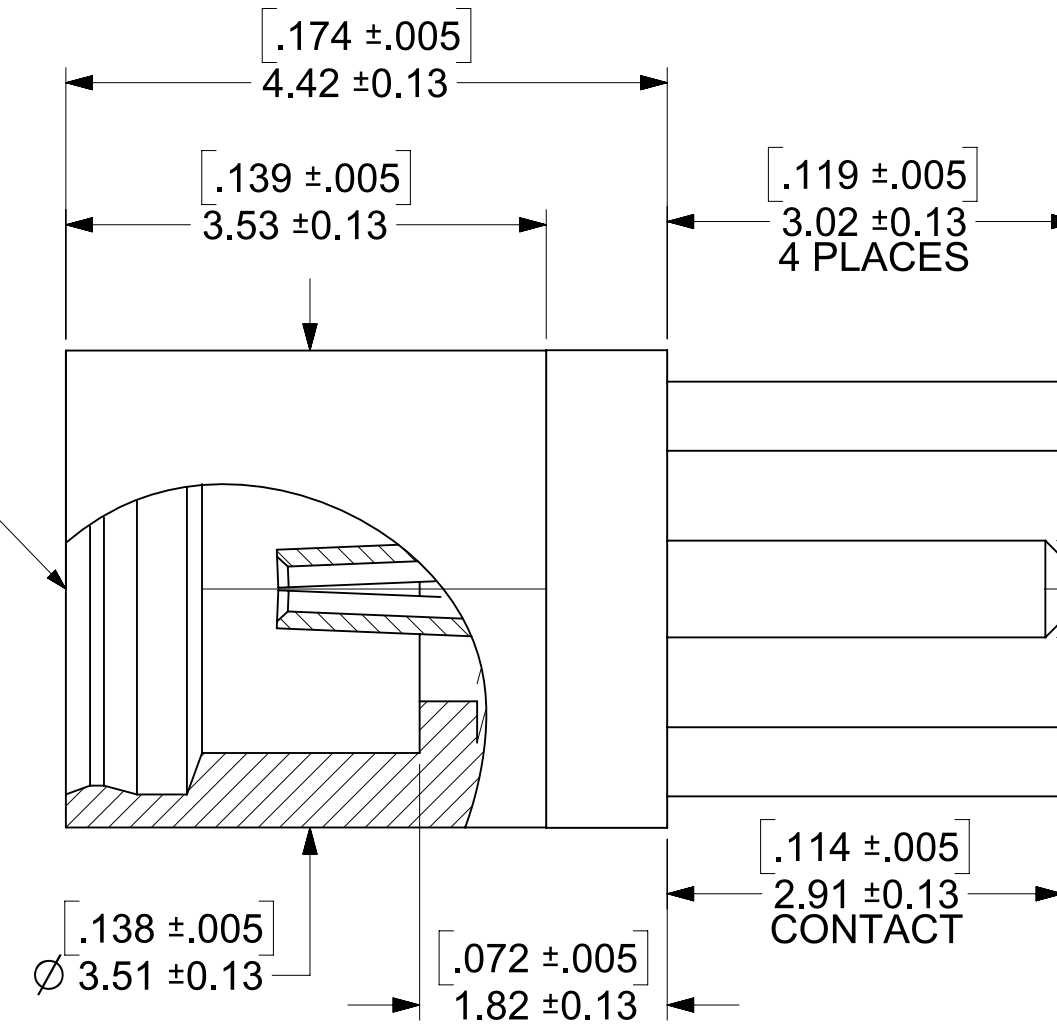
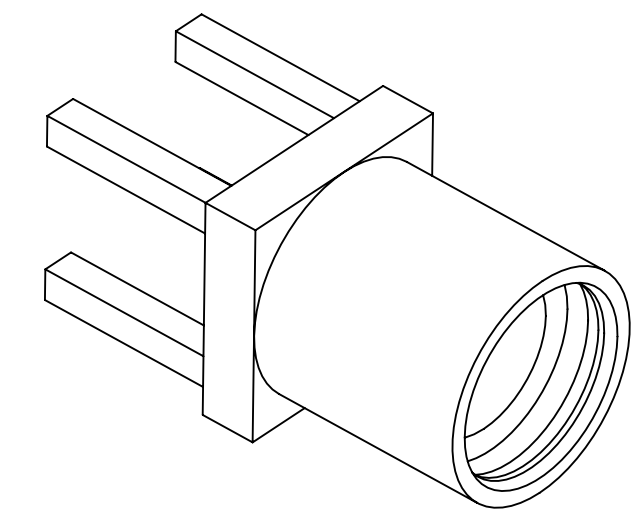
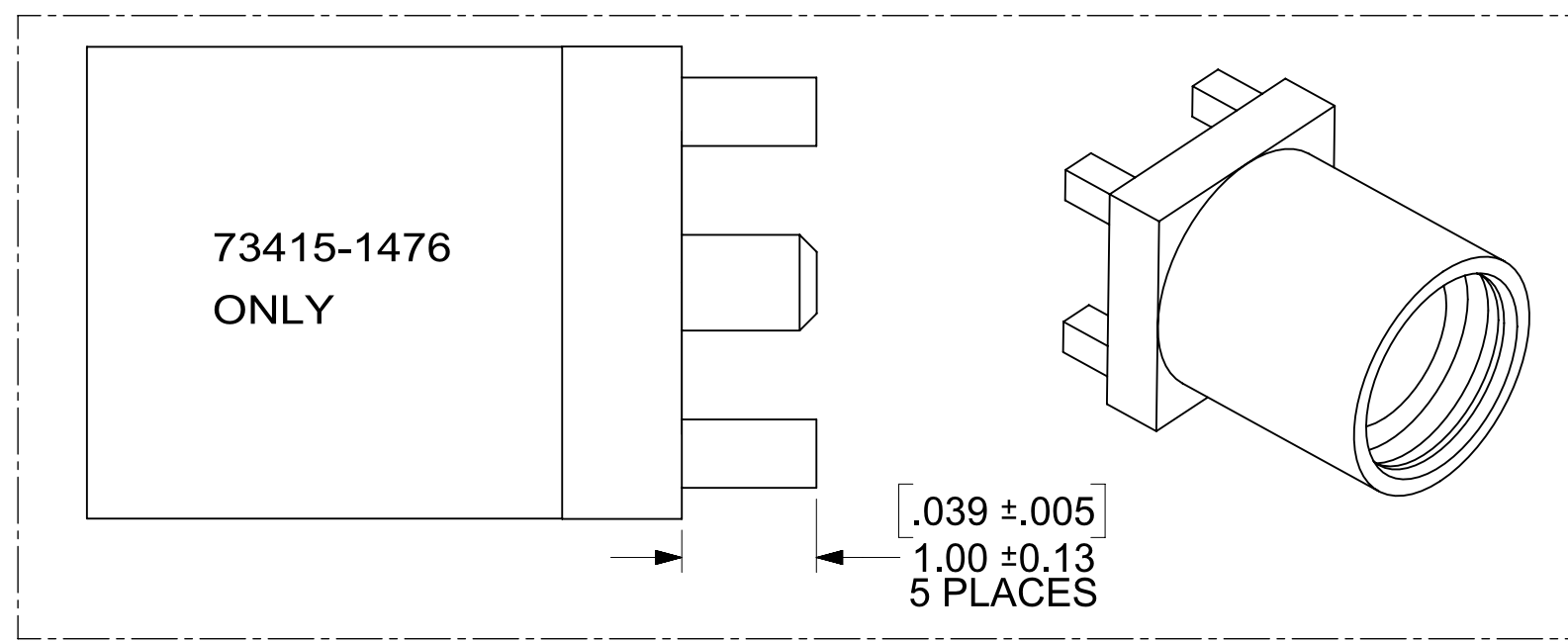
CENTER CONTACT BERYLLIUM COPPER
PLATED SEE TABLE

INSULATOR TEFLON

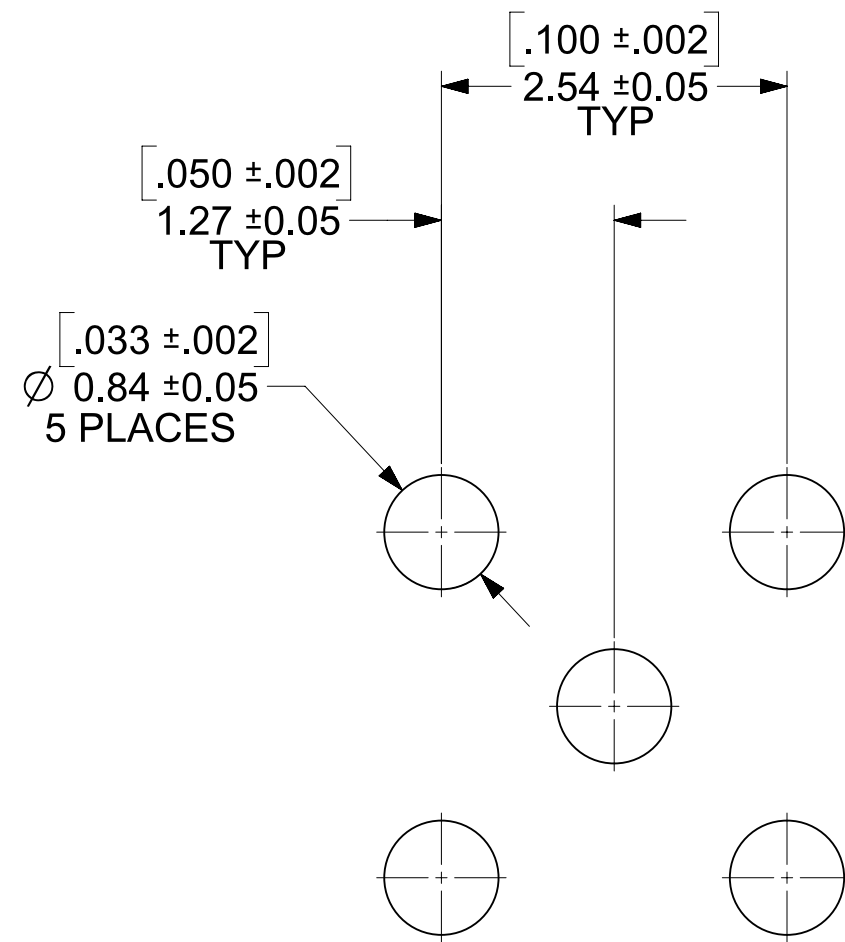
NOTE

PART # 73415-1473 IS

NON-MAGNETIC



MMCX JACK
INTERFACE



SUGGESTED PCB LAYOUT

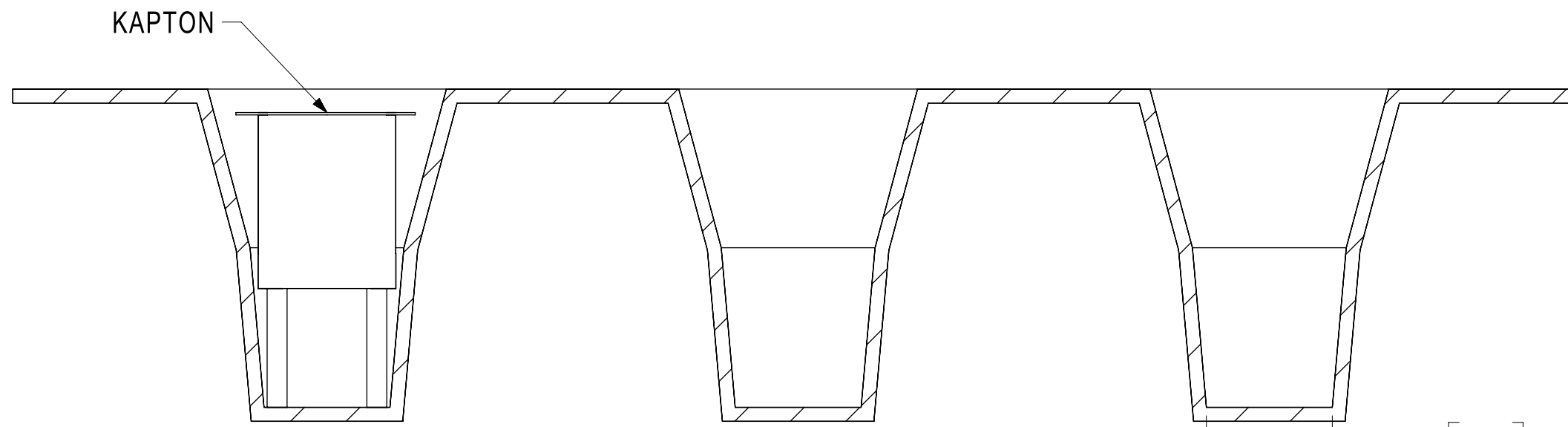
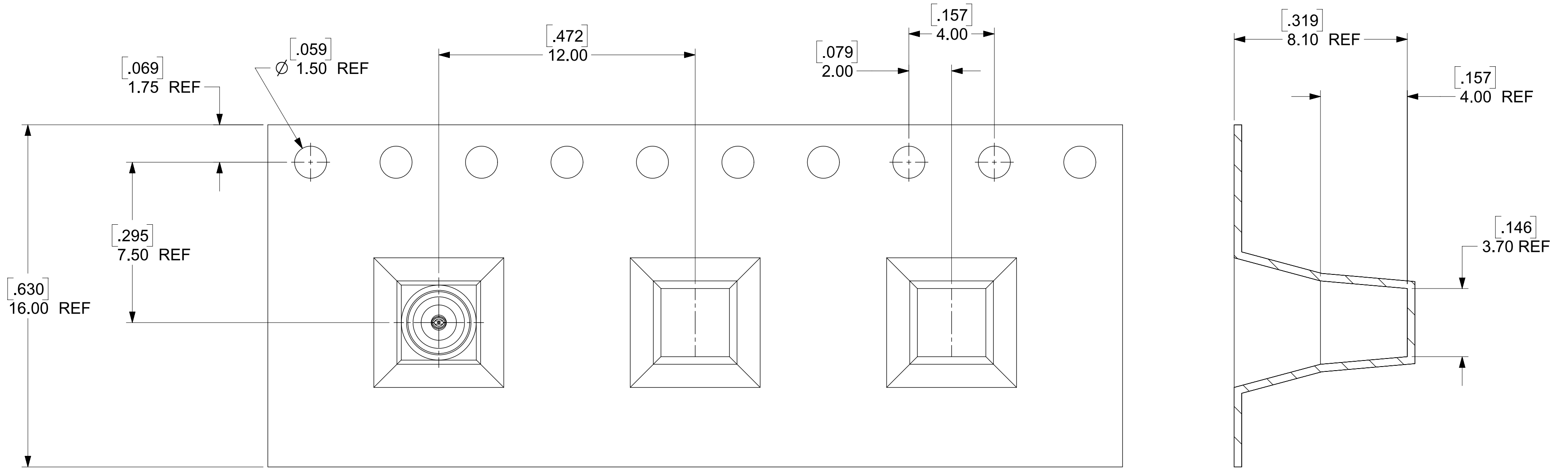
73415-1478	P/N 73415-1471 , TAPE AND REEL WITHOUT KAPTON TAPE	BRASS/GOLD 1u" (PER COMMERCIAL REQUIRMENT)	GOLD 30u"
73415-1477	TRAY	BRASS/GOLD 1u" (PER COMMERCIAL REQUIRMENT)	GOLD 1u"
73415-1476	TRAY (1.00 MM LEG LENGTHS)	BRASS/GOLD 1u" (PER COMMERCIAL REQUIRMENT)	GOLD 30u"
73415-1475	P/N 73415-1471 , TAPE AND REEL WITH KAPTON TAPE	BRASS/GOLD 1u" (PER COMMERCIAL REQUIRMENT)	GOLD 30u"
73415-1474	TRAY	BRASS/GOLD 1u" (PER COMMERCIAL REQUIRMENT)	GOLD 30u"
73415-1473	BAG (SEE 89542-0103 DRAWING)	BeCu/GOLD 10u" (NON MAGNETIC)	GOLD 30u"
73415-1472	P/N 73415-1471, ONE PER BAG	BRASS/GOLD 1u" (PER COMMERCIAL REQUIRMENT)	GOLD 30u"
73415-1471	BAG (SEE 89542-0102 DRAWING)	BRASS/GOLD 1u" (PER COMMERCIAL REQUIRMENT)	GOLD 30u"
73415-1470	BAG (SEE 89542-0102 DRAWING)	BRASS/ GOLD 30u" (PER MILITARY REQUIRMENT)	GOLD 50u"
PART NO.	PACKAGING	MATERIAL/PLATING (BODY)	PLATING (CENTER CONTACT)

CECC 22 340	INTERFACE
PS-89675-1920	ELECTRO/MECH PER.
SPECIFICATION	DESCRIPTION

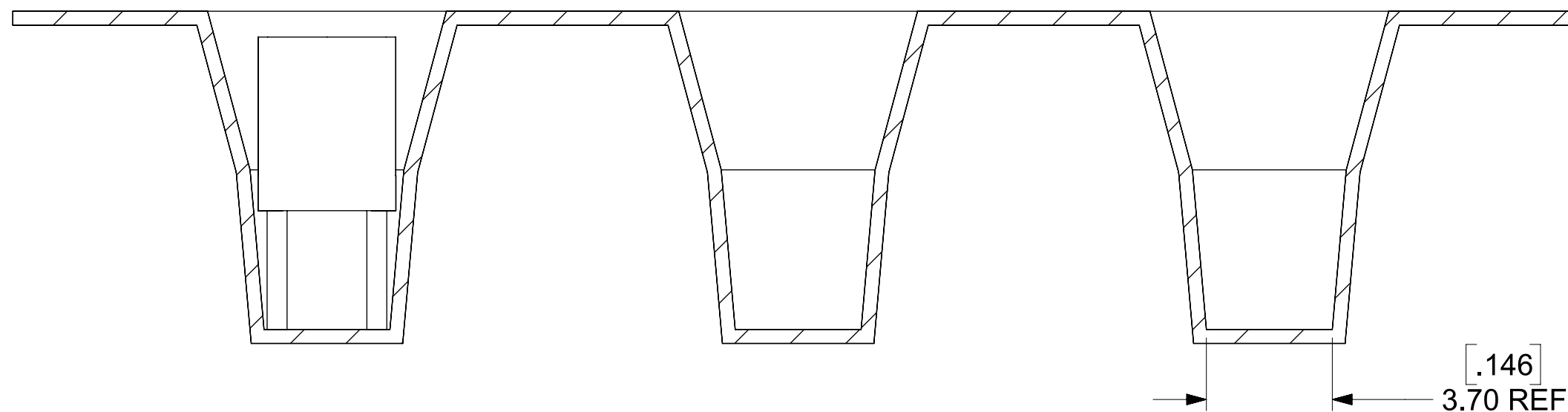
SYMBOLS		THIS DRAWING CONTAINS INFORMATION THAT IS PROPRIETARY TO MOLEX ELECTRONIC TECHNOLOGIES, LLC AND SHOULD NOT BE USED WITHOUT WRITTEN PERMISSION	
DIMENSION UNITS	SCALE	CURRENT REV DESC:	
MM/INCH	NTS	ADDED -1478 PART NO	
GENERAL TOLERANCES (UNLESS SPECIFIED)		EC NO: 666360	
ANGULAR TOL	± 2.0°	DRWN: JSU18	2021/05/26
4 PLACES	±	CHK'D: YCHENG	2021/06/11
3 PLACES	±	APPR: YCHENG	2021/06/11
2 PLACES	±	INITIAL REVISION:	
1 PLACE	±	DRWN: RFC_PLMIMP	2017/12/28
0 PLACES	±	APPR: JWIENER	2007/01/09
DRAFT WHERE APPLICABLE MUST REMAIN WITHIN DIMENSIONS		THIRD ANGLE PROJECTION	DRAWING
		C-SIZE	SERIES
			73415

molex			
MMCX JACK, PCB MOUNT 50 OHMS MMCX-J/PCB			
PRODUCT CUSTOMER DRAWING			
DOCUMENT NUMBER	DOC TYPE	DOC PART	REVISION
SD-73415-147	PSD	001	C4
MATERIAL NUMBER	CUSTOMER	SHEET NUMBER	
	GENERAL MARKET	1 OF 3	

NOTE
DIMENSIONS ARE PROVIDED FOR REFERENCE ONLY



(FOR 73415-1475)



(FOR 73415-1478)

THIS DRAWING CONTAINS INFORMATION THAT IS PROPRIETARY TO MOLEX ELECTRONIC TECHNOLOGIES, LLC AND SHOULD NOT BE USED WITHOUT WRITTEN PERMISSION											
SYMBOLS		DIMENSION UNITS		SCALE		CURRENT REV DESC:					
▽ = 0	▽ = 0	MM/INCH	NTS			EC NO: 666360					
▽ = 0	▽ = 0	GENERAL TOLERANCES (UNLESS SPECIFIED)				DRWN: JSU18		2021/05/26			
▽ = 0	▽ = 0	ANGULAR TOL ± 2.0°				CHK'D: YCHENG		2021/06/11			
▽ = 0	▽ = 0	4 PLACES ±				APPR: YCHENG		2021/06/11			
▽ = 0	▽ = 0	3 PLACES ±				INITIAL REVISION:					
▽ = 0	▽ = 0	2 PLACES ±				DRWN: RFC_PLMIMP		2017/12/28			
▽ = 0	▽ = 0	1 PLACE ±				APPR: JWIENER		2007/01/09			
▽ = 0	▽ = 0	0 PLACES ±				DRAFT WHERE APPLICABLE MUST REMAIN WITHIN DIMENSIONS		THIRD ANGLE PROJECTION		DRAWING SERIES	
▽ = 0	▽ = 0					C-SIZE		73415			
DOCUMENT STATUS				P1		RELEASE DATE		2021/06/11		03:42:23	
DOCUMENT NUMBER				DOC TYPE		DOC PART		REVISION			
SD-73415-147				PSD		001		C4			
MATERIAL NUMBER				CUSTOMER				SHEET NUMBER			
GENERAL MARKET				2 OF 3							

13" REEL SIZE

12.993 ±.020
 Ø 330.02 ±0.51

.647
 16.43 MIN

.502
 Ø 12.75 REF

250 MM EMPTY MIN

250 MM EMPTY MIN

ORDER QUANTITY PACKED

230.00 MIN

LABEL

- ORDER NO.
- QUANTITY
- PART NO.
- LOT NO.

SYMBOLS										THIS DRAWING CONTAINS INFORMATION THAT IS PROPRIETARY TO MOLEX ELECTRONIC TECHNOLOGIES, LLC AND SHOULD NOT BE USED WITHOUT WRITTEN PERMISSION																			
DIMENSION UNITS					SCALE					CURRENT REV DESC:																			
MM/INCH					NTS					EC NO: 666360 DRWN: JSU18 2021/05/26 CHK'D: YCHENG 2021/06/11 APPR: YCHENG 2021/06/11 INITIAL REVISION: DRWN: RFC_PLMIMP 2017/12/28 APPR: JWIENER 2007/01/09																			
GENERAL TOLERANCES (UNLESS SPECIFIED)																				PRODUCT CUSTOMER DRAWING									
ANGULAR TOL ± 2.0°																				DOCUMENT NUMBER					DOC TYPE DOC PART REVISION				
4 PLACES ±																				SD-73415-147					PSD 001 C4				
1 PLACE ±										MATERIAL NUMBER					CUSTOMER					SHEET NUMBER									
0 PLACES ±															GENERAL MARKET					3 OF 3									
DRAFT WHERE APPLICABLE MUST REMAIN WITHIN DIMENSIONS										THIRD ANGLE PROJECTION					DRAWING					SERIES									
															C-SIZE					73415									

molex

MMCX JACK, PCB MOUNT
 50 OHMS MMCX-J/PCB

PRODUCT CUSTOMER DRAWING

SD-73415-147

PSD 001 C4

GENERAL MARKET

3 OF 3