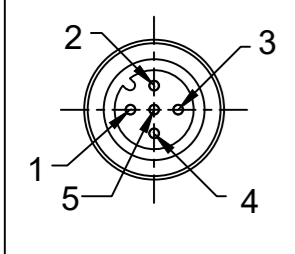
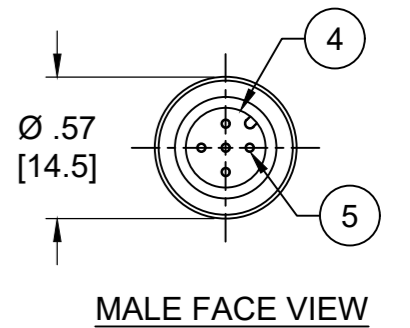
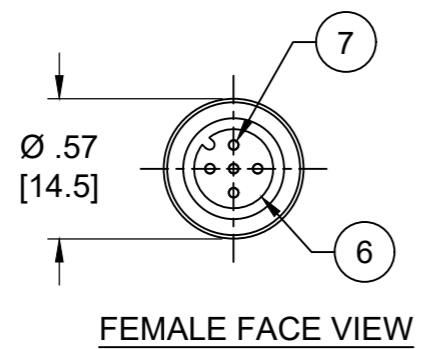
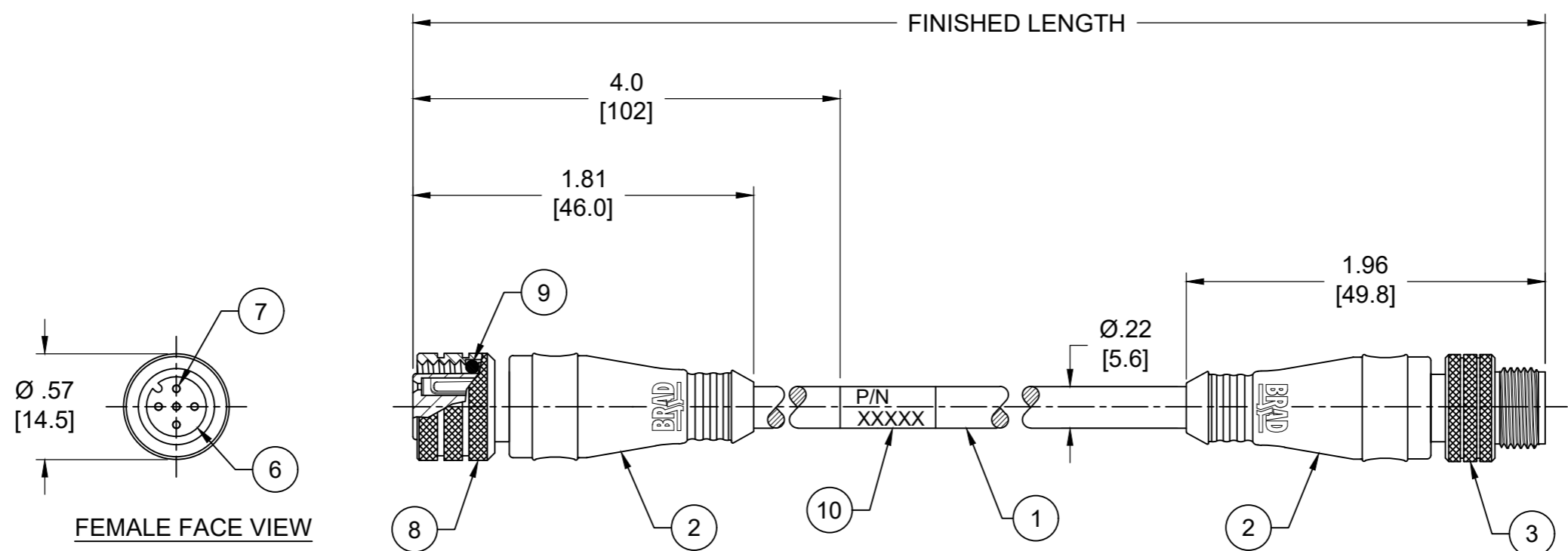
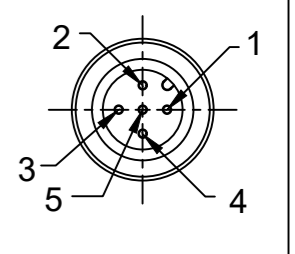


FEMALE FACE VIEW



| PART NUMBER | ENGINEERING NUMBER | FINISHED LENGTH |
|-------------|--------------------|------------------|
| 1200660424 | 885030A09M003 | 0.3M [1FT] |
| 1200660443 | 885030A09M200 | 20M [65FT 7 IN] |
| 1202010018 | 885030A09M400 | 40M [131FT 2 IN] |

MALE FACE VIEW



- NOTES:
1. MATERIAL: AS NOTED
 2. FINISH: AS NOTED
 3. ELECTRICAL:
VOLTAGE: 250 VAC/VDC
CURRENT: 4A
 4. TEMP RATING: -20°TO +105°C
 5. PROTECTION: IP67 (WHEN MATED)
 6. COUPLING THREAD: M12X1
 7. UL RECOGNIZED FILE: E152210
CSA CERTIFIED FILE: LR6837 (D1)
 8. ALL DIMENSIONS ARE FOR REFERENCE
UNLESS TOLERANCED OR NOTED OTHERWISE

PART NUMBER LEGEND

885030A09M003

FINISHED LENGTH
M003 = 0.3 METER
M010 = 1 METER
M100 = 10 METER

| | | |
|---|-------|---|
| 1 | BROWN | 1 |
| 2 | WHITE | 2 |
| 3 | BLUE | 3 |
| 4 | BLACK | 4 |
| 5 | GRAY | 5 |

WIRING DIAGRAM

CABLE LENGTH TOLERANCES

| | |
|--------------------------|-------------------------|
| <.3M [1FT]: | +19mm-0 [+.75in-0] |
| .3 - .9M [1 - 3FT]: | +44.5mm-0 [+1.75in-0] |
| .9 - 1.8M [3 - 6FT]: | +55.6mm-0 [+2.19in-0] |
| 1.8 - 3.7M [6 - 12FT]: | +88.9mm-0 [+3.50in-0] |
| 3.7 - 7.3M [12 - 24FT]: | +165.1mm-0 [+6.50in-0] |
| 7.3-14.6M [24 - 48FT]: | +317.5mm-0 [+12.50in-0] |
| 14.6 - 30.5M [48-100FT]: | +622.3mm-0 [+24.50in-0] |
| OVER 30M [100FT] | +2% OF FINISHED LENGTH |

| ITEM | DESCRIPTION | MATERIAL | FINISH |
|------|--------------------------|--------------|------------------|
| 10 | WRAP LABEL | VINYL | BLACK/YELLOW |
| 9 | O-RING | VITON | RED |
| 8 | M12 COUPLING NUT, FEMALE | BRASS | NICKEL PLATED |
| 7 | CONTACT SOCKET | COPPER ALLOY | GOLD OVER NICKEL |
| 6 | FEMALE INSERT | PUR | BLACK |
| 5 | CONTACT PIN | COPPER ALLOY | GOLD OVER NICKEL |
| 4 | MALE INSERT | PUR | BLACK |
| 3 | M12 COUPLING NUT, MALE | BRASS | NICKEL PLATED |
| 2 | OVERMOLDS | PUR | YELLOW |
| 1 | CABLE, 5P, 22AWG | PVC JACKET | YELLOW |

| | | | | |
|--|---|---------|------------------------------|---|
| FUNCTIONAL SYMBOLS | THIS DRAWING CONTAINS INFORMATION THAT IS PROPRIETARY TO MOLEX ELECTRONIC TECHNOLOGIES, LLC AND SHOULD NOT BE USED WITHOUT WRITTEN PERMISSION | | | |
| | DIMENSION UNITS | SCALE | | |
| DIVISIONAL SYMBOLS | INCH/MM | NTS | EC NO: 702709 | SD-120066-007 |
| | GENERAL TOLERANCES (UNLESS SPECIFIED) | | DRWN: ABENJAMINLW 2021/10/21 | |
| DIVISIONAL SYMBOLS | 4 PLACES ±---- | ±---- | CHK'D: RSTONE 2022/04/11 | PRODUCT CUSTOMER DRAWING MICRO-CHANGE CORDSET, M12 5 POLE, MALE- FEMALE, STRAIGHT, SINGLE KEY, #22 AWG |
| | 3 PLACES ±---- | ±---- | APPR: BWOODMAN 2022/04/16 | |
| DIVISIONAL SYMBOLS | 2 PLACES ±---- | ±---- | INITIAL REVISION: | DOCUMENT NUMBER SD-120066-007 |
| | 1 PLACE ±---- | ±---- | DRWN: LHARTMAN 2009/07/28 | |
| DIVISIONAL SYMBOLS | 0 PLACES ±---- | ±---- | APPR: JFMURPHY 2009/08/10 | DOC TYPE/DOC PART/REVISION PSD/001/D1 |
| | ANGULAR TOL ± ---- ° | | | |
| DRAFT WHERE APPLICABLE MUST REMAIN WITHIN DIMENSIONS | THIRD ANGLE PROJECTION | DRAWING | SERIES | MATERIAL NUMBER |
| | | B-SIZE | 120066 | SEE P/N CHART |
| | | | | CUSTOMER |
| | | | | GENERAL MARKET |
| | | | | SHEET NUMBER |
| | | | | 1 OF 1 |