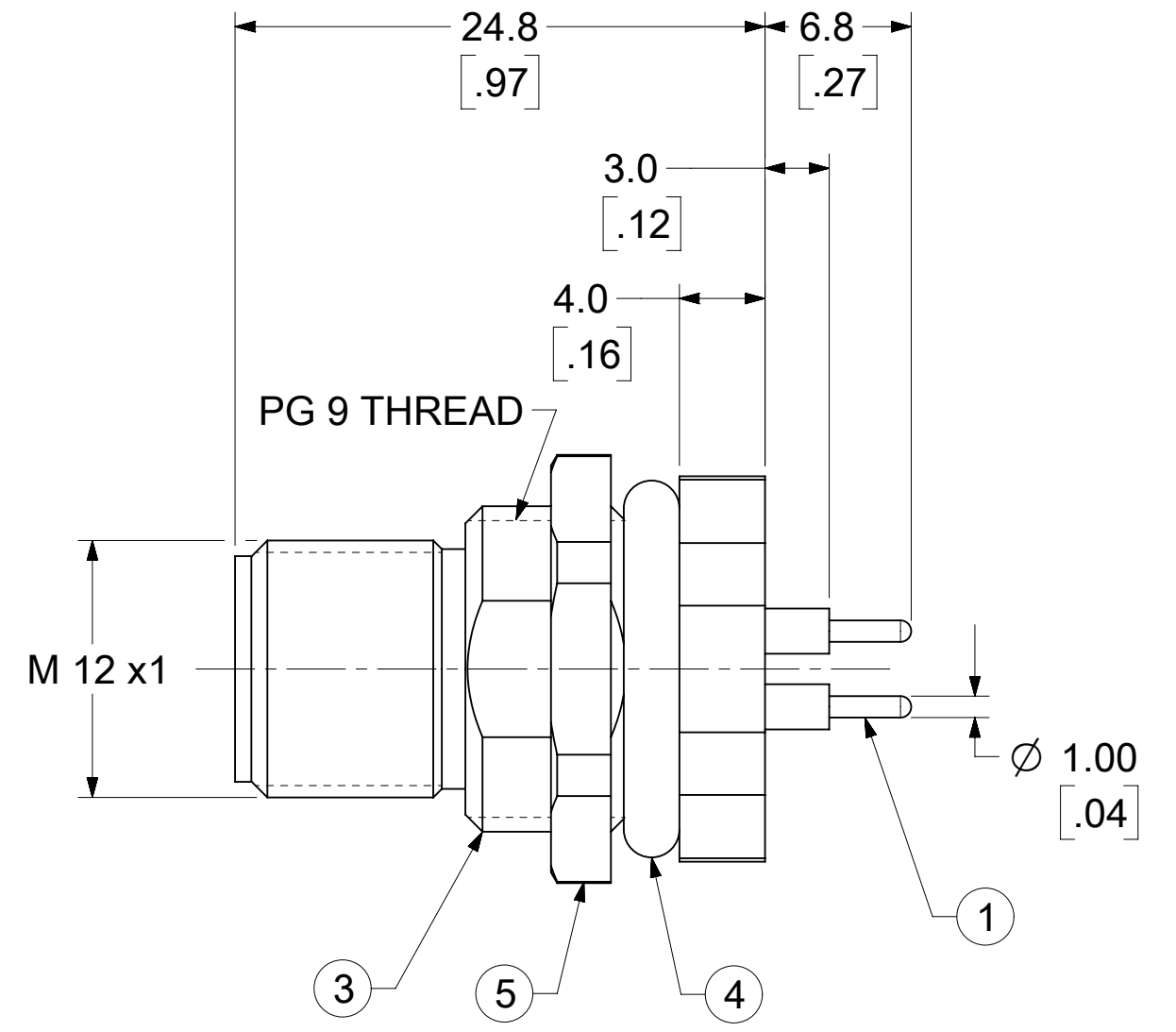
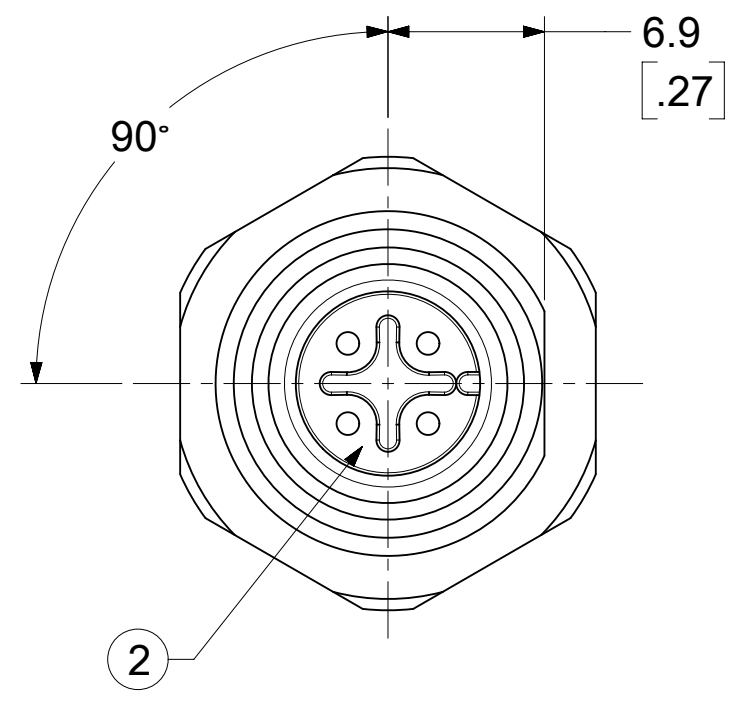
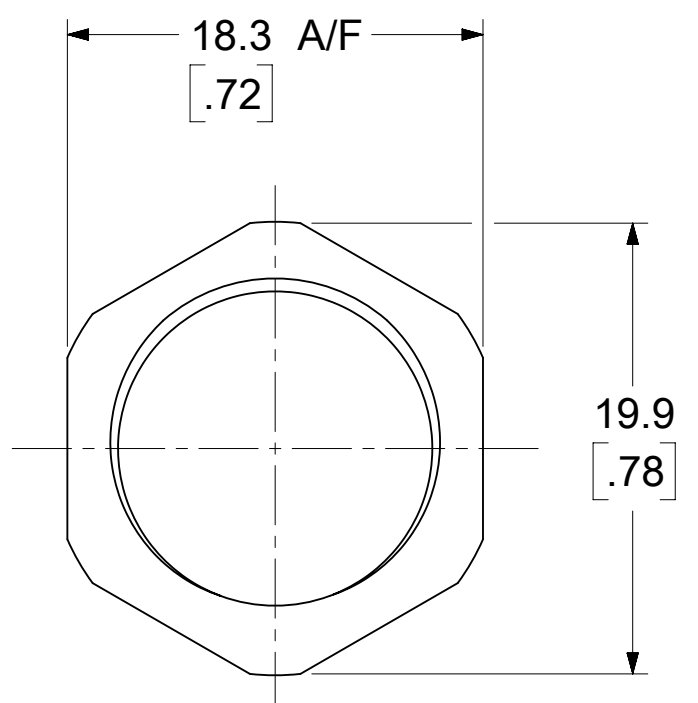
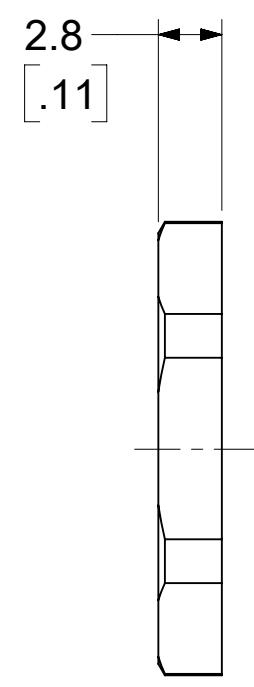
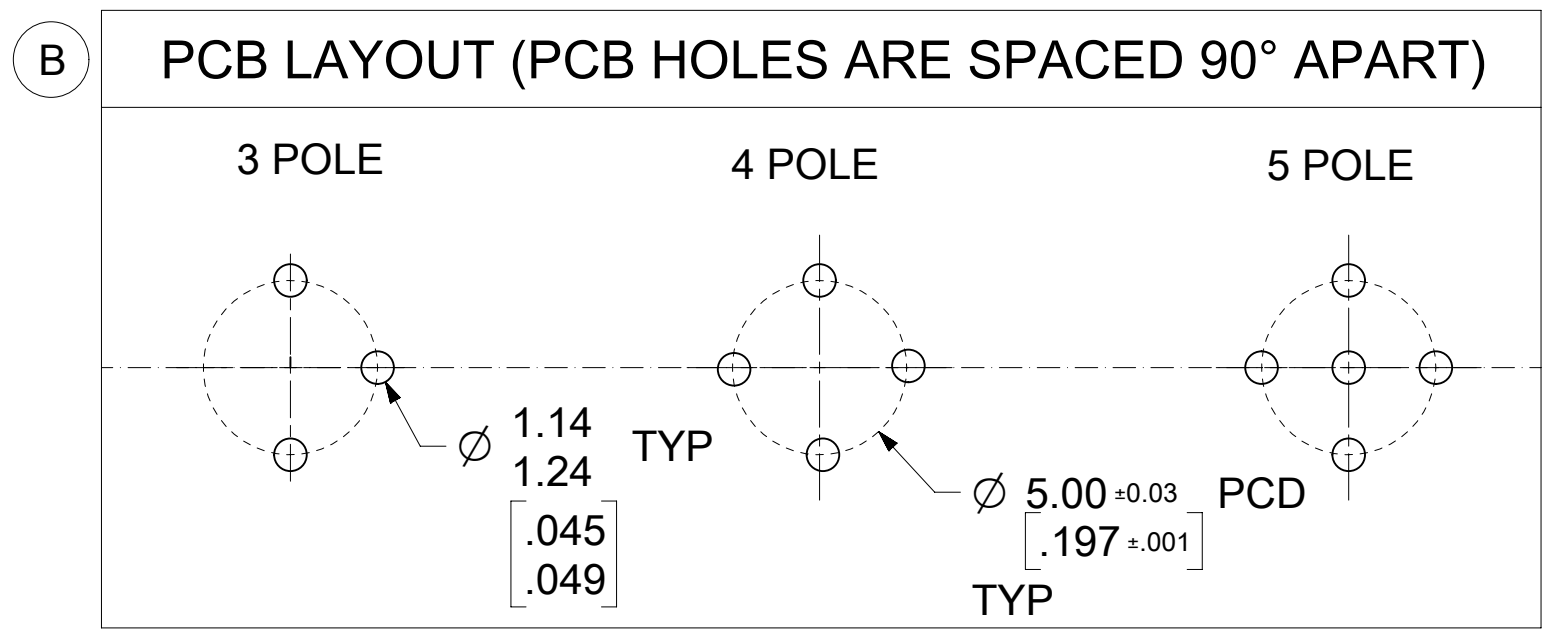
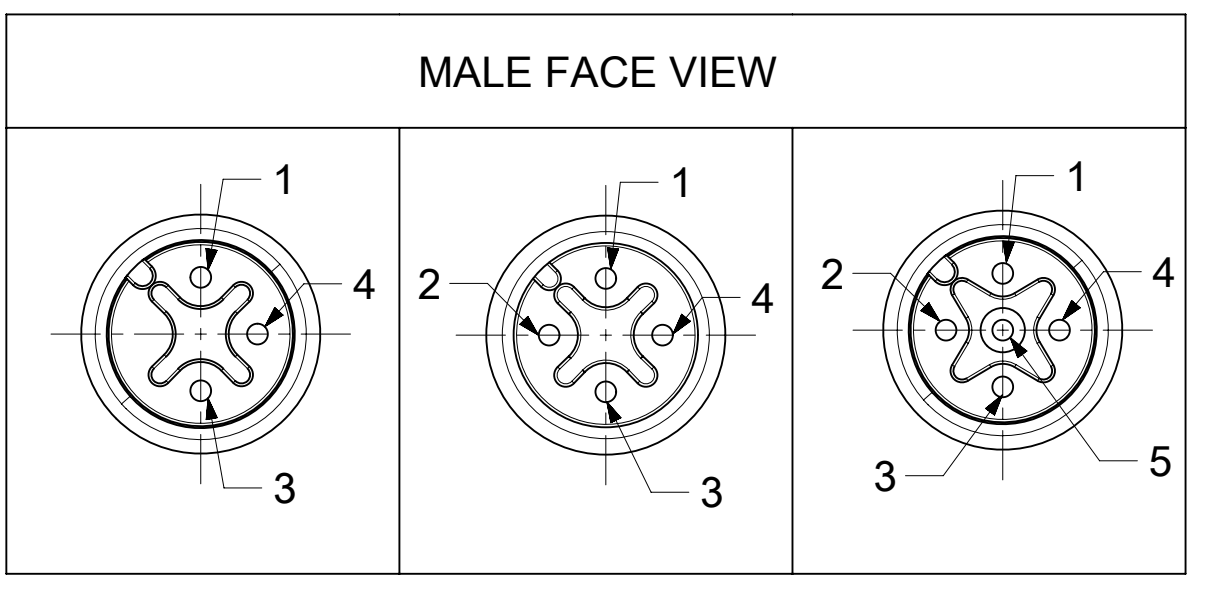
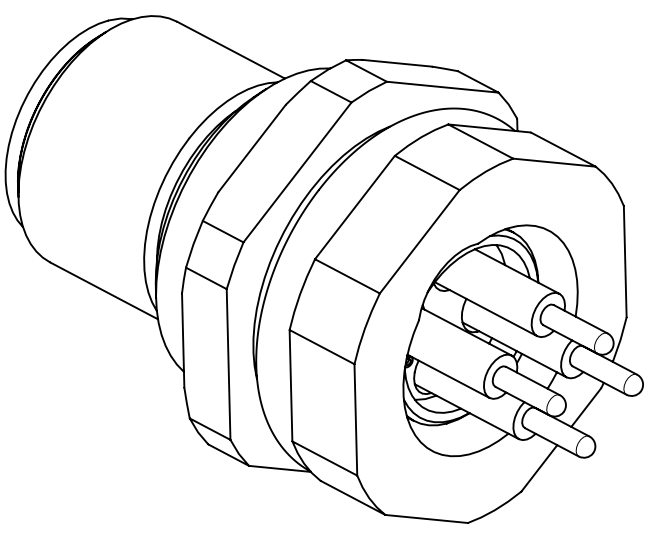
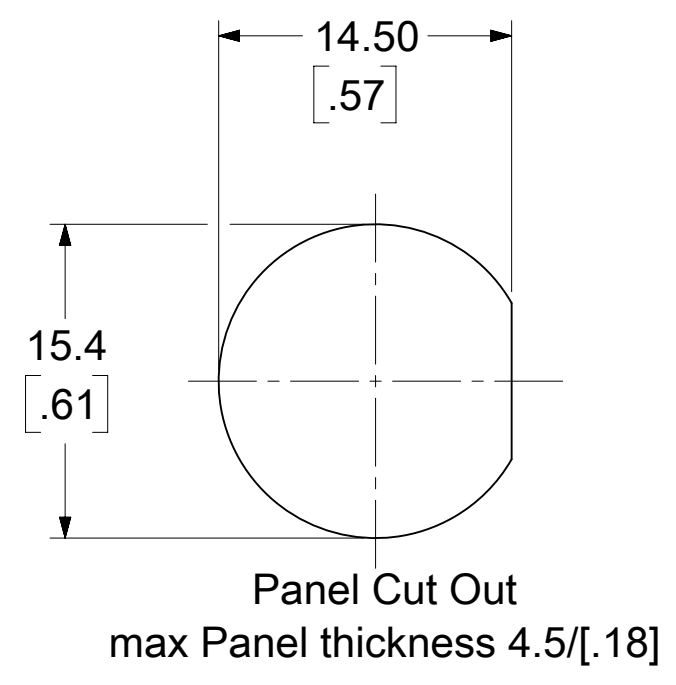


MATERIAL NO.	ENGINEERING NO.
1200110281	8R4J460003
1200700235	8R5J460003
1200705204	8R3J460003

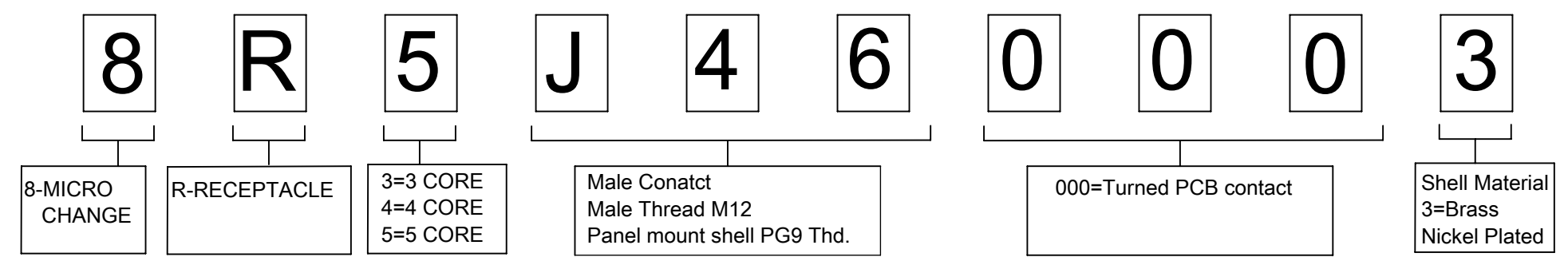
(B)



- NOTES: (B)
- MATERIAL: AS NOTED
 - FINISH: AS NOTED
 - ELECTRICAL:
VOLTAGE: 250V AC/DC
CURRENT: 4A
 - TEMP RATING: -20°C TO +80°C
 - PROTECTION: IP67 (WHEN MATED)
 - ALL DIMS ARE FOR REFERENCE UNLESS TOLERANCED OR NOTED OTHERWISE



(B) PART NUMBER LEGEND



ITEM	DESCRIPTION	MATERIAL	FINISH
5	LOCKNUT	Cu ALLOY	BRIGHT NICKEL PLATED
4	O-RING	VITON	BLACK
3	RECEPTACLE SHELL	Cu ALLOY	BRIGHT NICKEL PLATED
2	INSERT	NYLON	BLACK
1	CONTACT PIN	Cu ALLOY	GOLD OVER NICKEL

(B)

FUNCTIONAL SYMBOLS FA = 0 FC = 0 FP = 0	THIS DRAWING CONTAINS INFORMATION THAT IS PROPRIETARY TO MOLEX ELECTRONIC TECHNOLOGIES, LLC AND SHOULD NOT BE USED WITHOUT WRITTEN PERMISSION										
	DIMENSION UNITS MM/INCH		SCALE 3:1		CURRENT REV DESC: ADDED STD. NOTES, PCB LAYOUT, PART NUMBER LEGEND, UPDATED MATERIAL TABLE & INSERT WAS PUR.						
	GENERAL TOLERANCES (UNLESS SPECIFIED)										
	4 PLACES ±		MM		INCH		EC NO: 696324				
DIVISIONAL SYMBOLS	3 PLACES ±						DRWN: AKABADI 2022/01/18				
	2 PLACES ±						CHK'D: RSTONE 2022/02/17				
	1 PLACE ±						APPR: BWOODMAN 2022/02/21				
	0 PLACES ±						INITIAL REVISION: DRWN: CFOERDERER 2012/10/04				
ANGULAR TOL ± °						APPR: CBURGER 2012/10/29		DOCUMENT NUMBER SD-120011-281			
DRAFT WHERE APPLICABLE MUST REMAIN WITHIN DIMENSIONS		THIRD ANGLE PROJECTION		DRAWING C-SIZE		SERIES 120011		MATERIAL NUMBER SEE TABLE		CUSTOMER GENERAL MARKET	
								DOC TYPE PSD		DOC PART 001	
										REVISION B	
										SHEET NUMBER 1 OF 1	