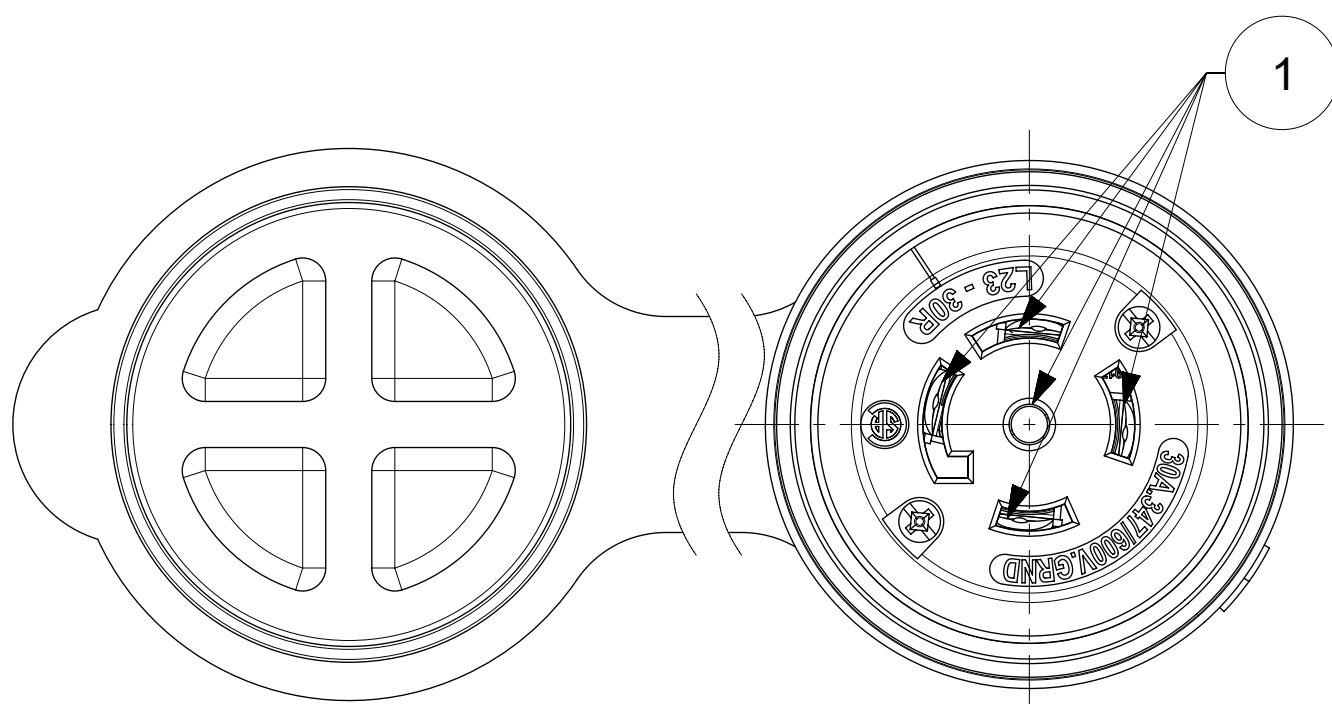
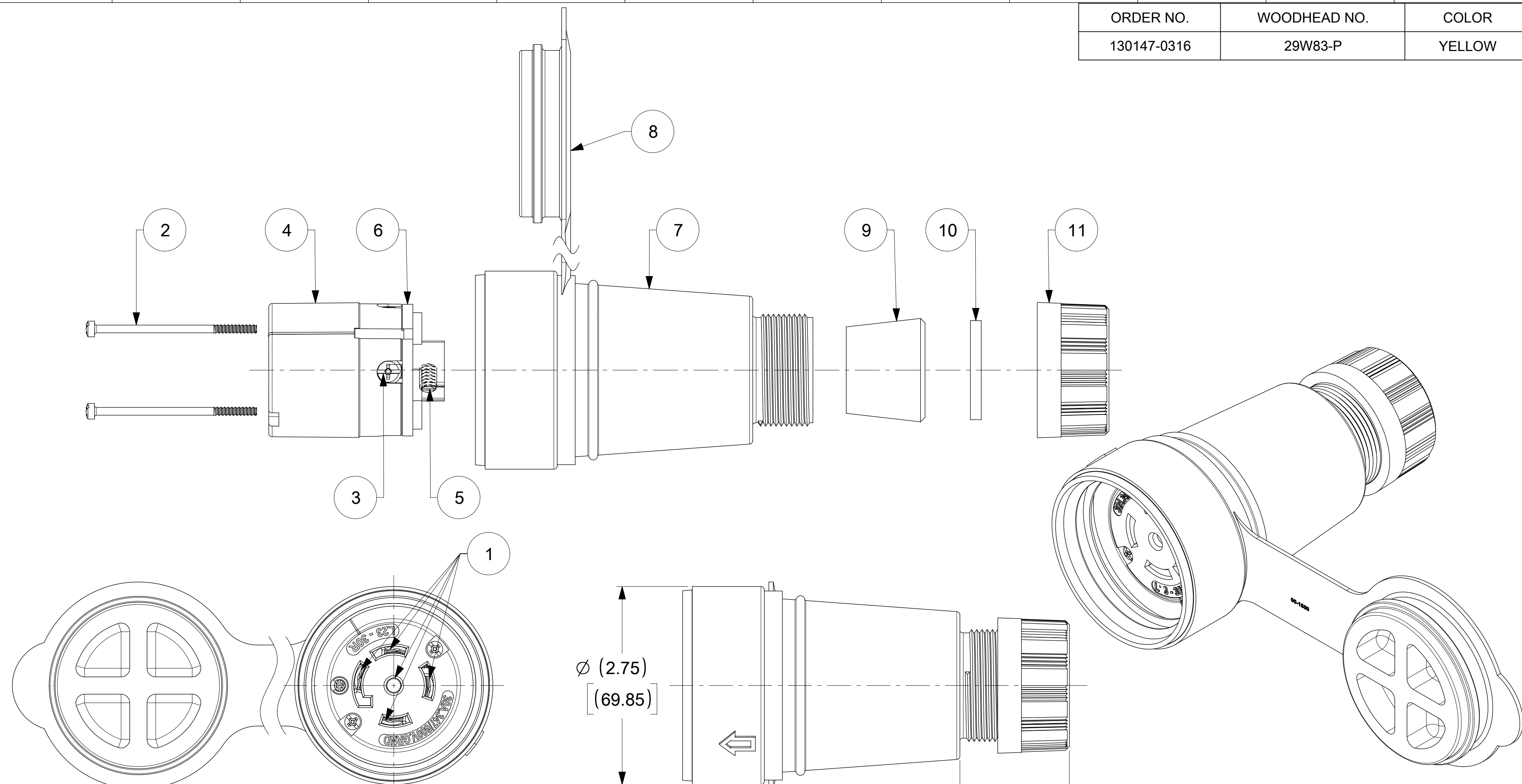
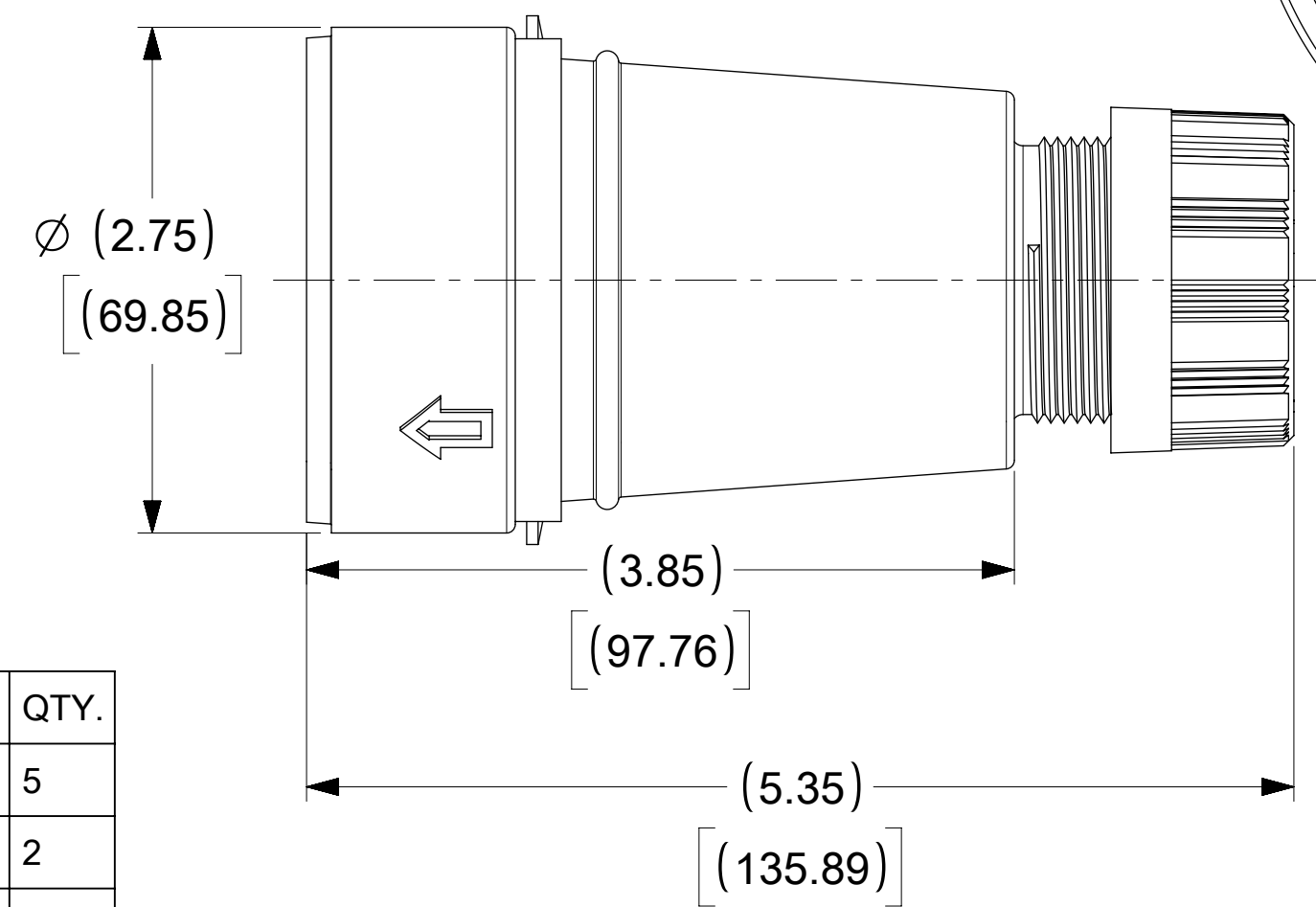


ORDER NO.	WOODHEAD NO.	COLOR
130147-0316	29W83-P	YELLOW



FACE VIEW



ITEM NO.	DESCRIPTIONS	MATERIAL	QTY.
1	BLADE	BRASS, NICKEL PLATED	5
2	RETAINING SCREWS	STAINLESS STEEL	2
3	CLAMP AND TERMINAL SCREW ASSY	BRASS, ZINC PLATED	4
4	INSERT	NYLON	1
5	SET SCREW	STAINLESSSTEEL	1
6	TERMINAL COVER	POLYCARBONATE	1
7	HOUSING	SILICON WITH NYLON THREAD	1
8	COVER CLOSURE	SILICON WITH NYLON THREAD	1
9	GROMMET	RUBBER	4
10	FRICTION RING	NYLON	1
11	COMPRESSION NUT	NYLON	1

SYMBOLS		THIS DRAWING CONTAINS INFORMATION THAT IS PROPRIETARY TO MOLEX ELECTRONIC TECHNOLOGIES, LLC AND SHOULD NOT BE USED WITHOUT WRITTEN PERMISSION	
$\nabla = 0$	DIMENSION UNITS	SCALE	CURRENT REV DESC: RELEASED
$\nabla = 0$	INCH[MM]	NTS	
$\nabla = 0$	GENERAL TOLERANCES (UNLESS SPECIFIED)		
$\nabla = 0$		MM	INCH
$\nabla = 0$	4 PLACES	±	±
$\nabla = 0$	3 PLACES	±	±
$\nabla = 0$	2 PLACES	±	±
$\nabla = 0$	1 PLACE	±	±
$\nabla = 0$	0 PLACES	±	±
$\nabla = 0$	ANGULAR TOL	± °	
$\nabla = 0$	DRAFT WHERE APPLICABLE MUST REMAIN WITHIN DIMENSIONS		
	THIRD ANGLE PROJECTION	DRAWING	SERIES
		C-SIZE	130147
	EC NO: 614388	DRWN: DSOPPIN	2019/01/03
	CHK'D: DNGUYEN62	APPR: HKNEELAND	2019/04/24
	INITIAL REVISION:	DRWN: DSOPPIN	2019/01/03
	APPR: HKNEELAND	APPR: HKNEELAND	2019/04/25
DOCUMENT NUMBER		DOC TYPE	DOC PART
1301470316		PSD	000
MATERIAL NUMBER		CUSTOMER	SHEET NUMBER
SEE TABLE		GENERAL MARKET	1 OF 1

molex

WATERTITE CONNECTOR 4P5W L23-30

PRODUCT CUSTOMER DRAWING