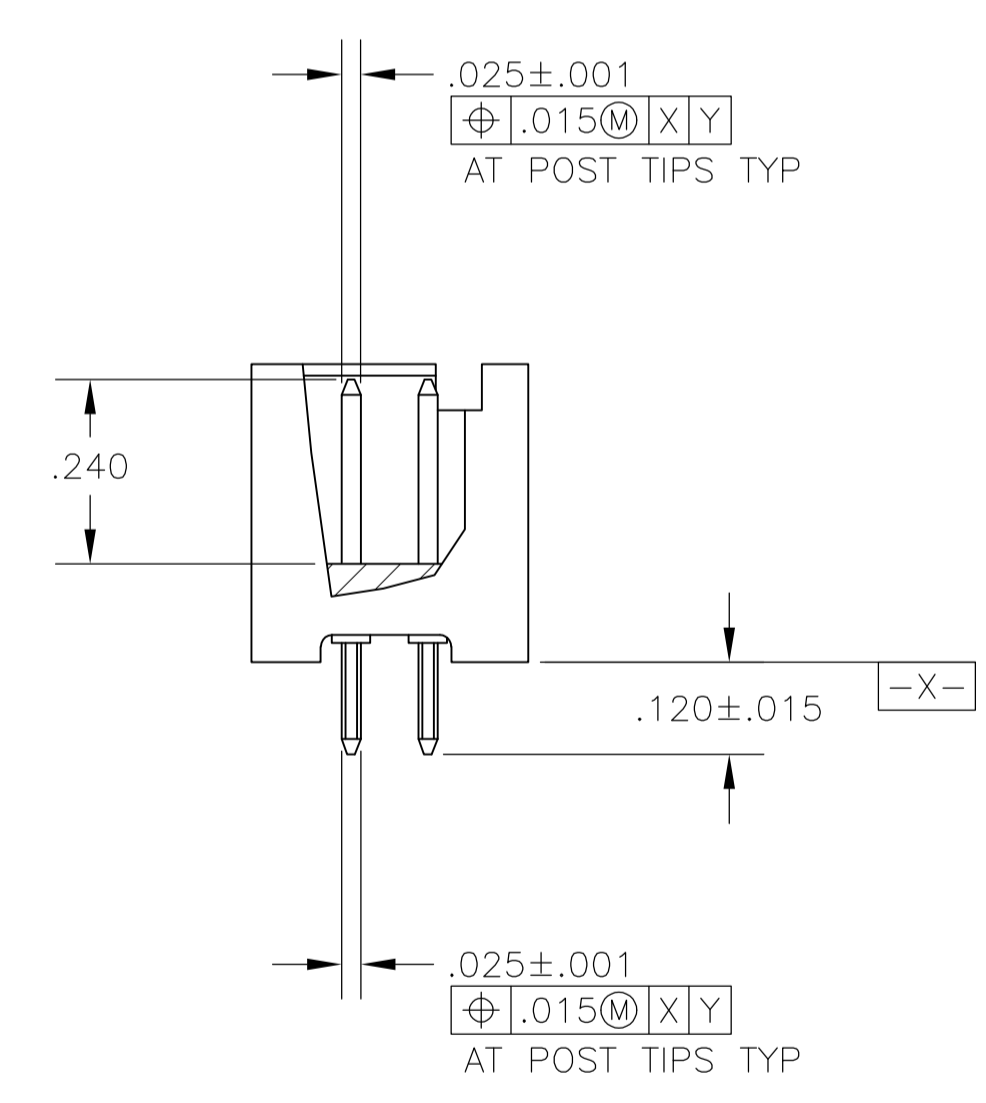
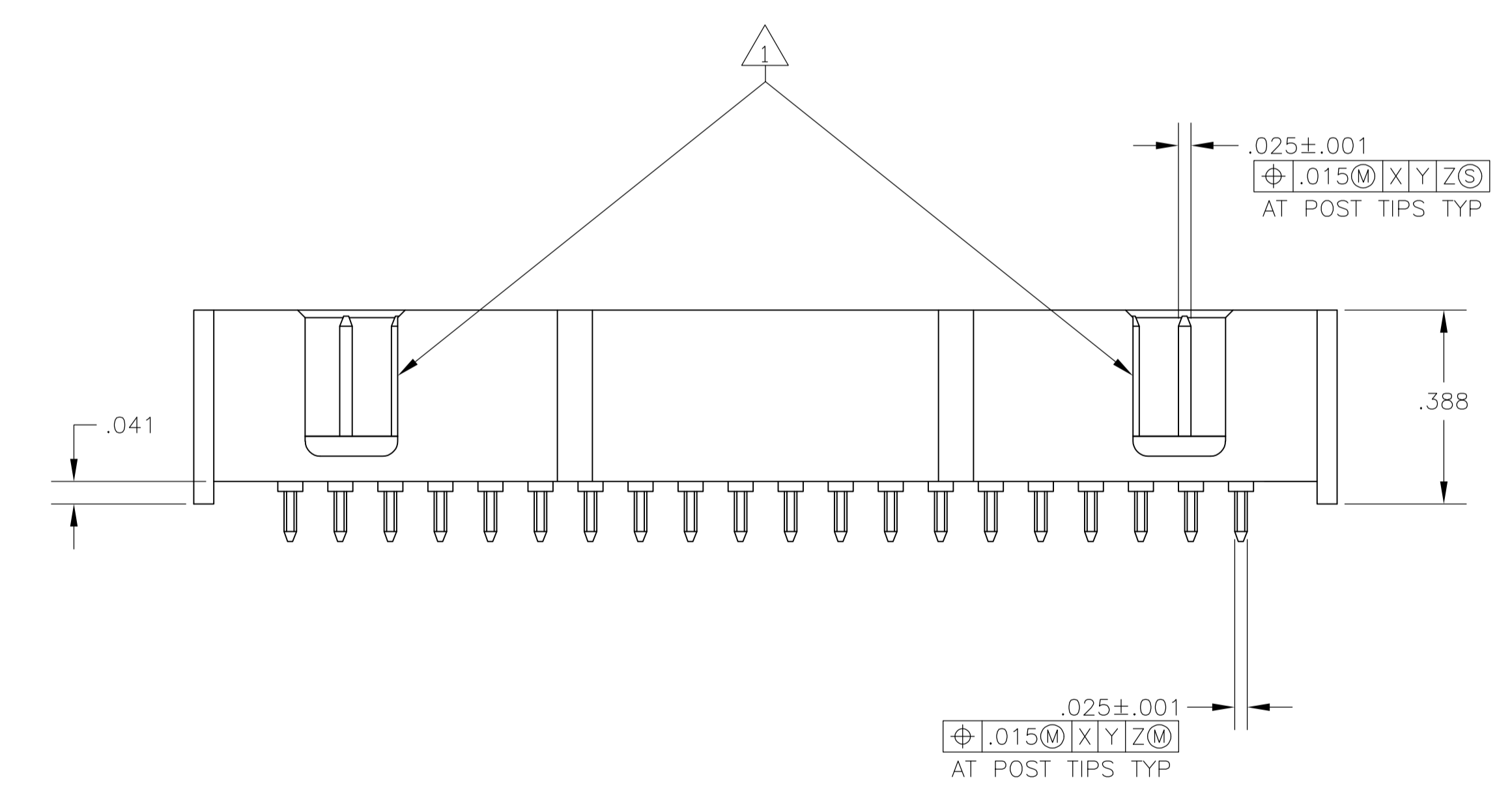
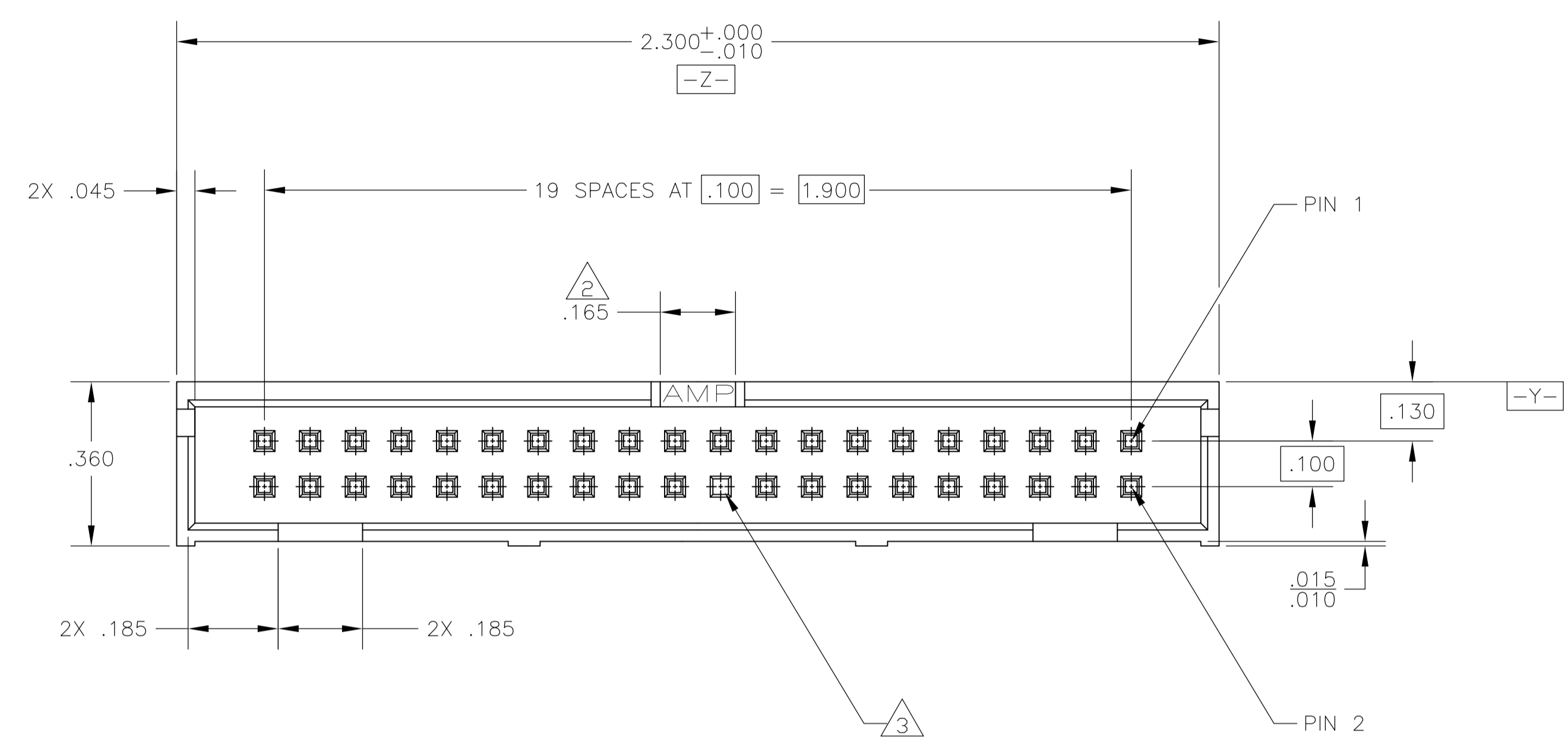
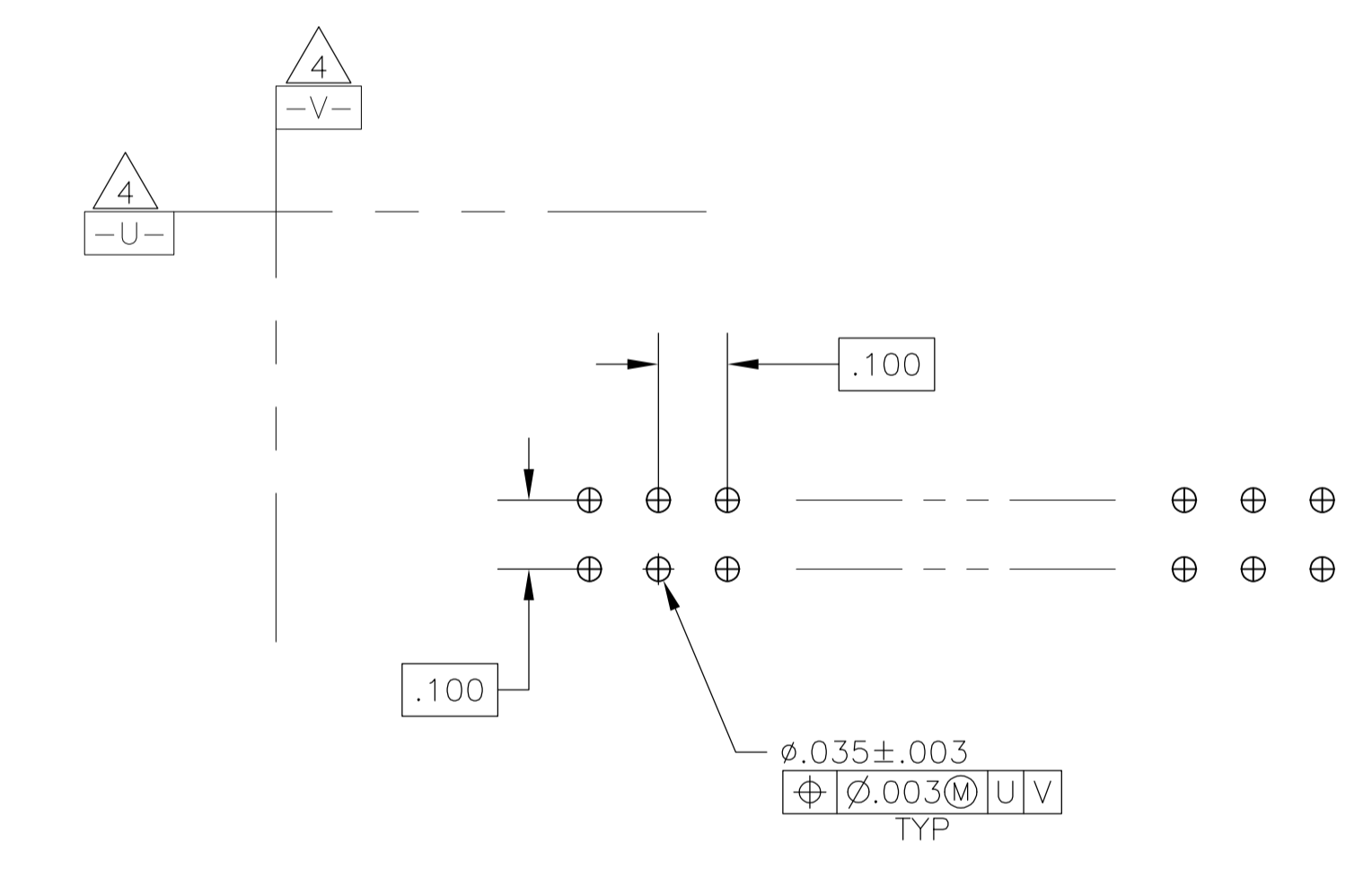


LOC		DIST		REVISIONS			
P	LTR	DESCRIPTION	DATE	DN	APVD		
E		REVISED PER ECO-11-003735	16MAR2011	CJV	SLB		



- 1 DOUBLE BAR POLARIZATION SLOTS.
- 2 CENTER POLARIZATION SLOT.
- 3 POST OMITTED IN POSITION NO. 20.
- 4 DATUMS U AND V TO BE ESTABLISHED BY THE CUSTOMER.
- 5 HOUSING: GLASS FILLED NYLON OR PBT, BLACK, UL 94V-0 RATED. POSTS: BRASS.
- 6 POSTS: GOLD FLASH OVER PALLADIUM-NICKEL PLATE, .000015 MIN TOTAL ON THE MATING SURFACES, .000100 MIN TIN PLATE ON THE SOLDER-TAILS, .000050 MIN NICKEL UNDERPLATE ON THE ENTIRE POST.  
-OR-  
.000015 MIN GOLD PLATE ON THE MATING SURFACES, .000100 MIN TIN PLATE ON THE SOLDER-TAILS, .000050 MIN NICKEL UNDERPLATE ON THE ENTIRE POST.
- 7 GOLD FLASH ON MATING AREA, .000100 MIN TIN ON SOLDER END, ALL OVER .000050 MIN NICKEL ON ENTIRE POST.



RECOMMENDED PCB LAYOUT

1888188-2	
1888188-1	
POST FINISH	PART NUMBER

THIS DRAWING IS A CONTROLLED DOCUMENT.

DIMENSIONS: INCHES	TOLERANCES UNLESS OTHERWISE SPECIFIED:	0 PLC ± -	1 PLC ± -	2 PLC ± -	3 PLC ± .005	4 PLC ± -	ANGLES ± -
--------------------	--	-----------	-----------	-----------	--------------	-----------	------------

MATERIAL	FINISH	SEE TABLE	WEIGHT	—	SIZE	A1	CAGE CODE	00779	DRAWING NO	1888188	RESTRICTED TO	—
----------	--------	-----------	--------	---	------	----	-----------	-------	------------	---------	---------------	---

CUSTOMER DRAWING SCALE 4:1 SHEET 1 OF 1 REV E

APPROVED: S. BOLASH, M. WALMSLEY  
 DATE: 14 DEC 05  
 NAME: M. WALMSLEY  
 PRODUCT SPEC: 108-40018  
 APPLICATION SPEC: —  
 Tyco Electronics Corporation, Harrisburg, PA 17105-3608  
 Tyco Electronics  
 HEADERS ASSY, 40 POSITION, VERTICAL, LOW PROFILE, AMP-LATCH