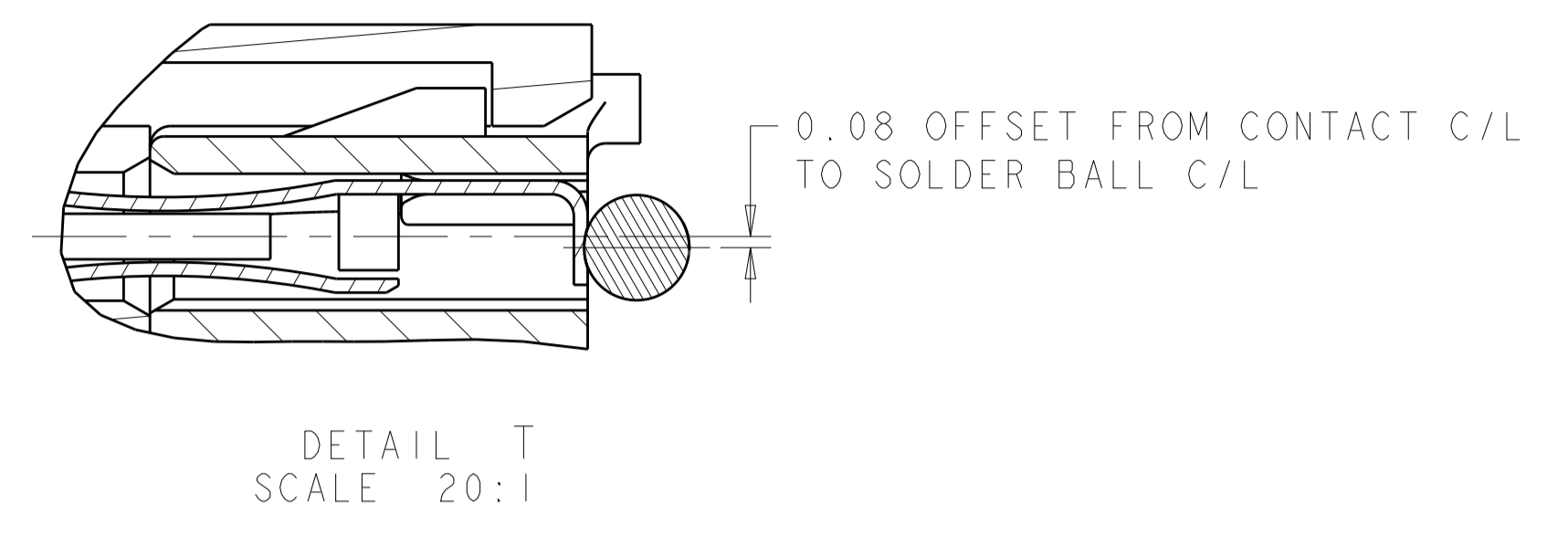
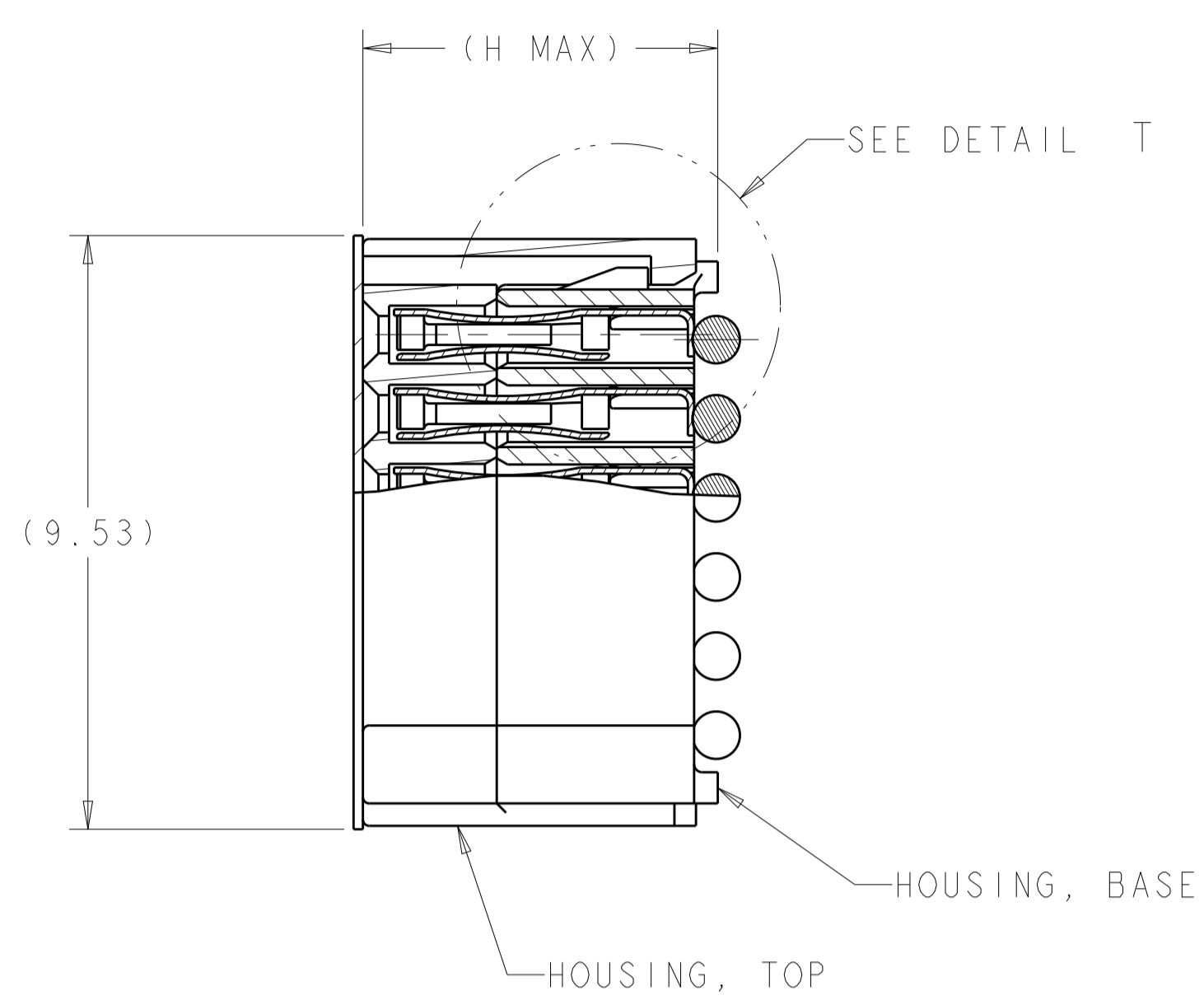
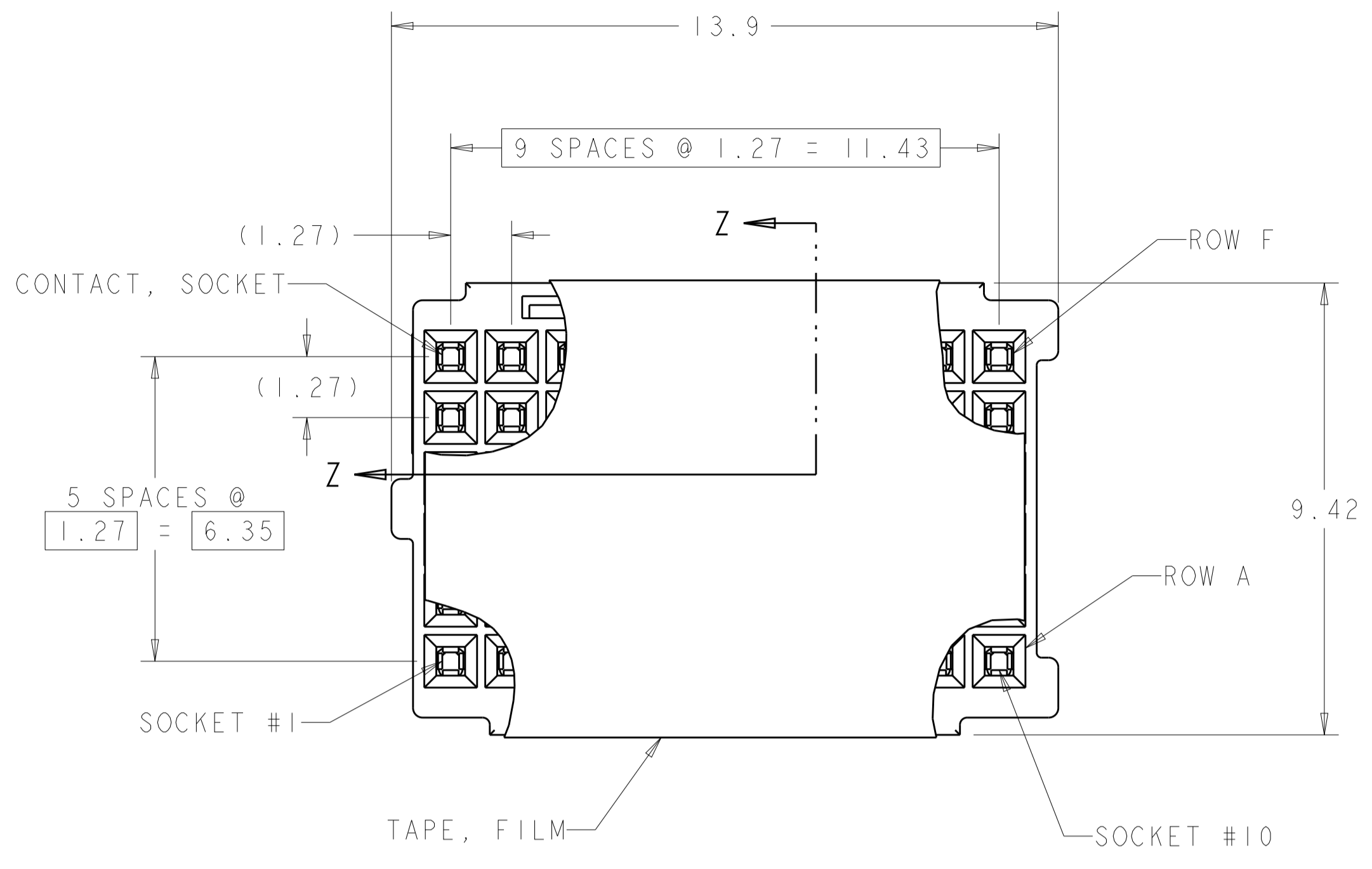
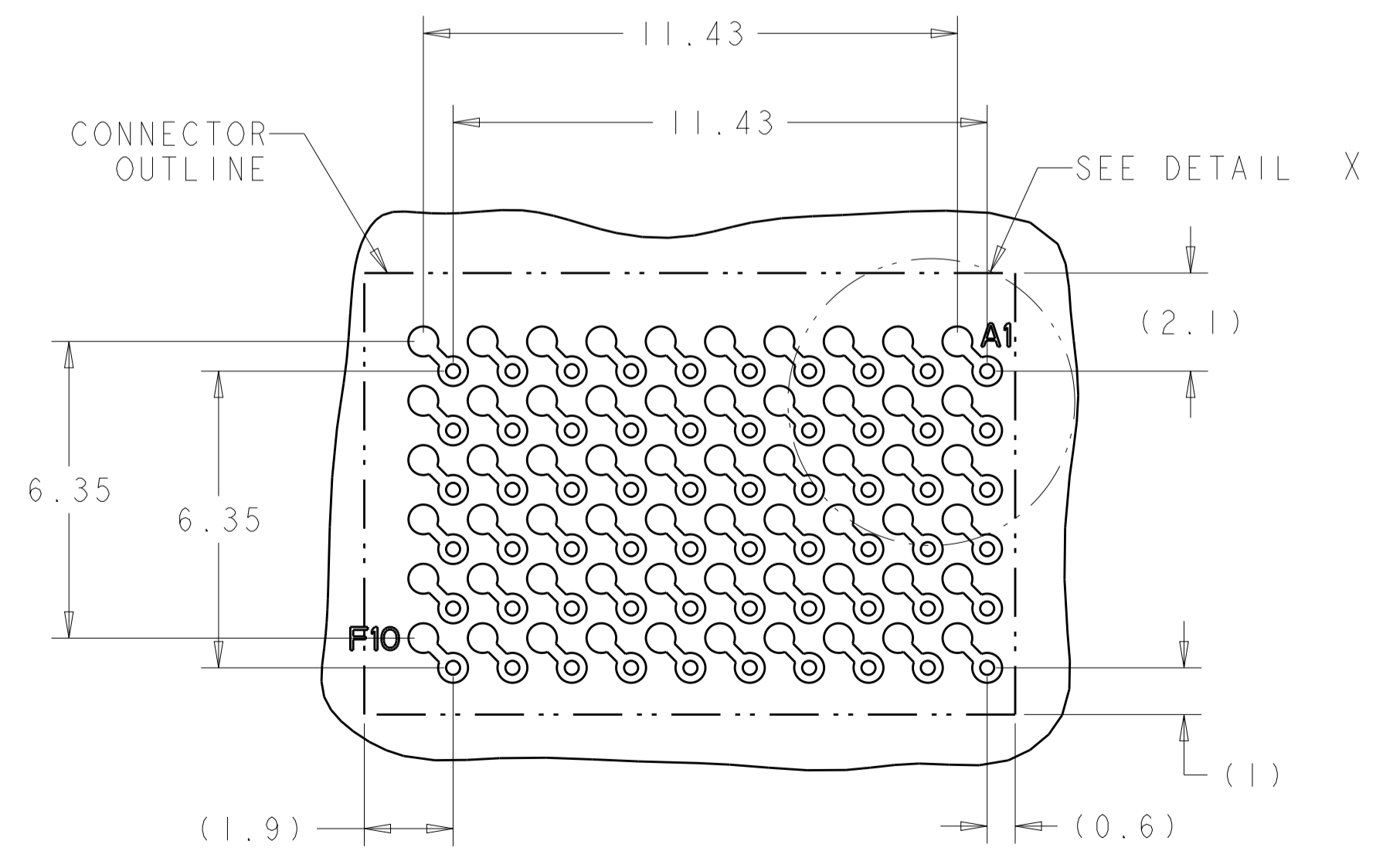
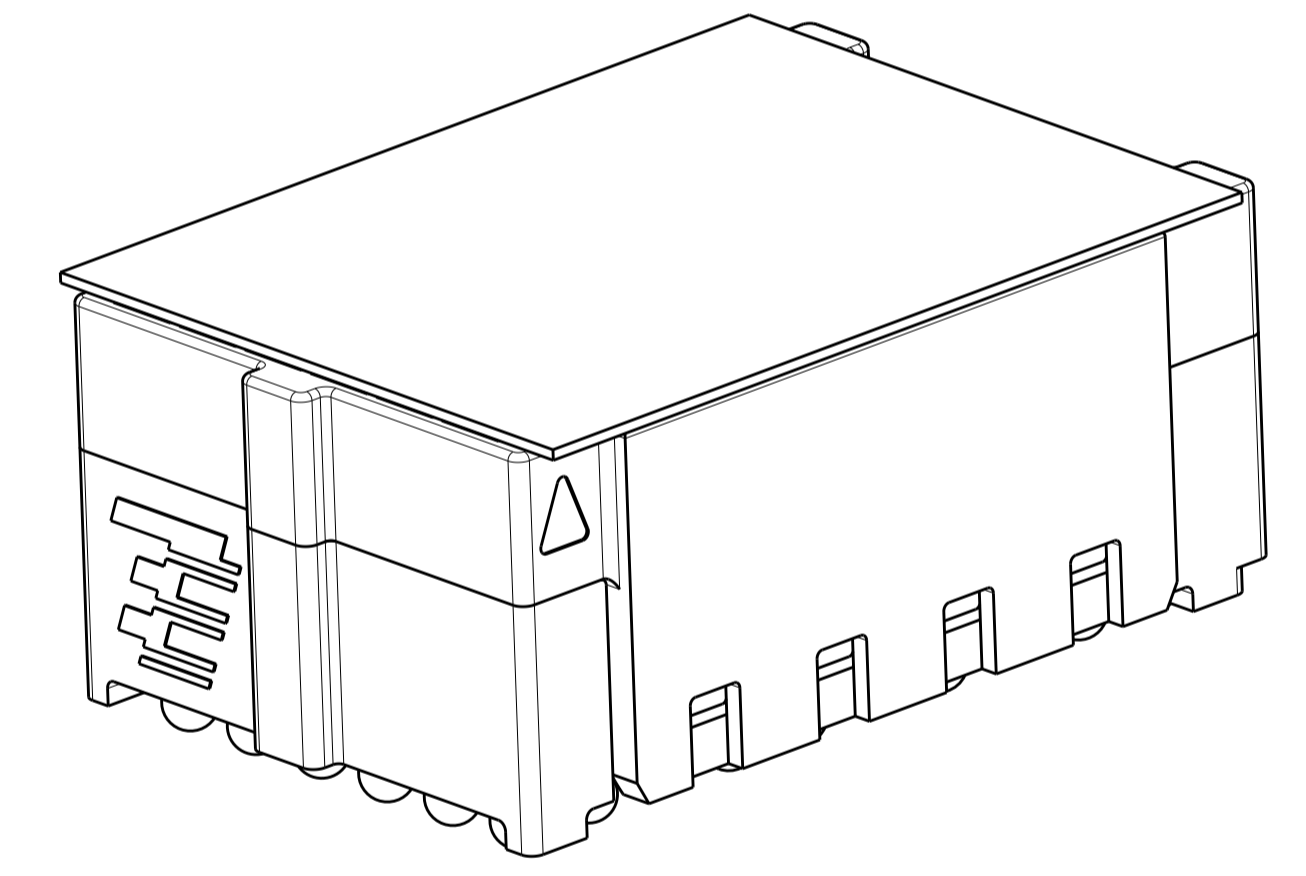
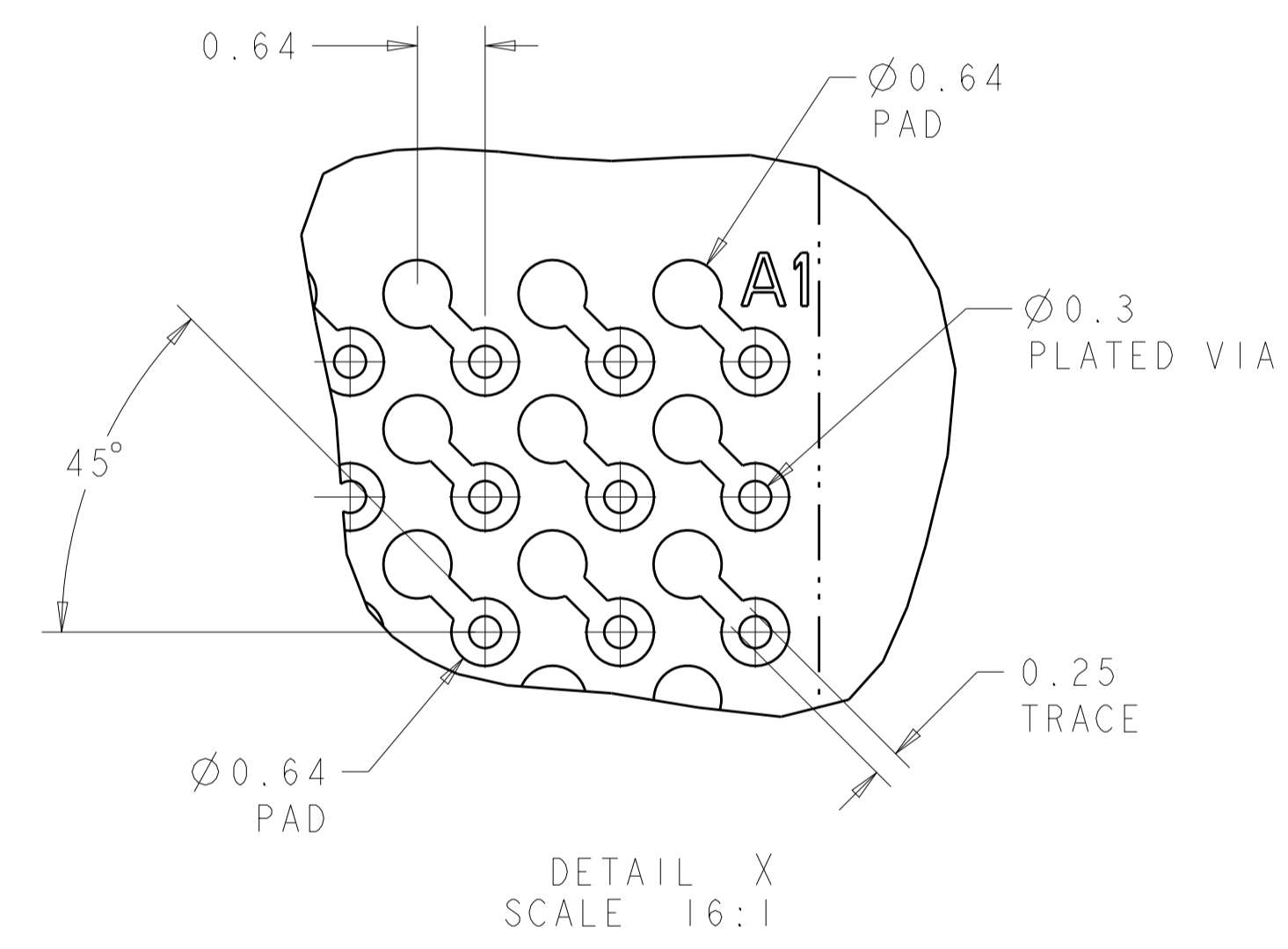
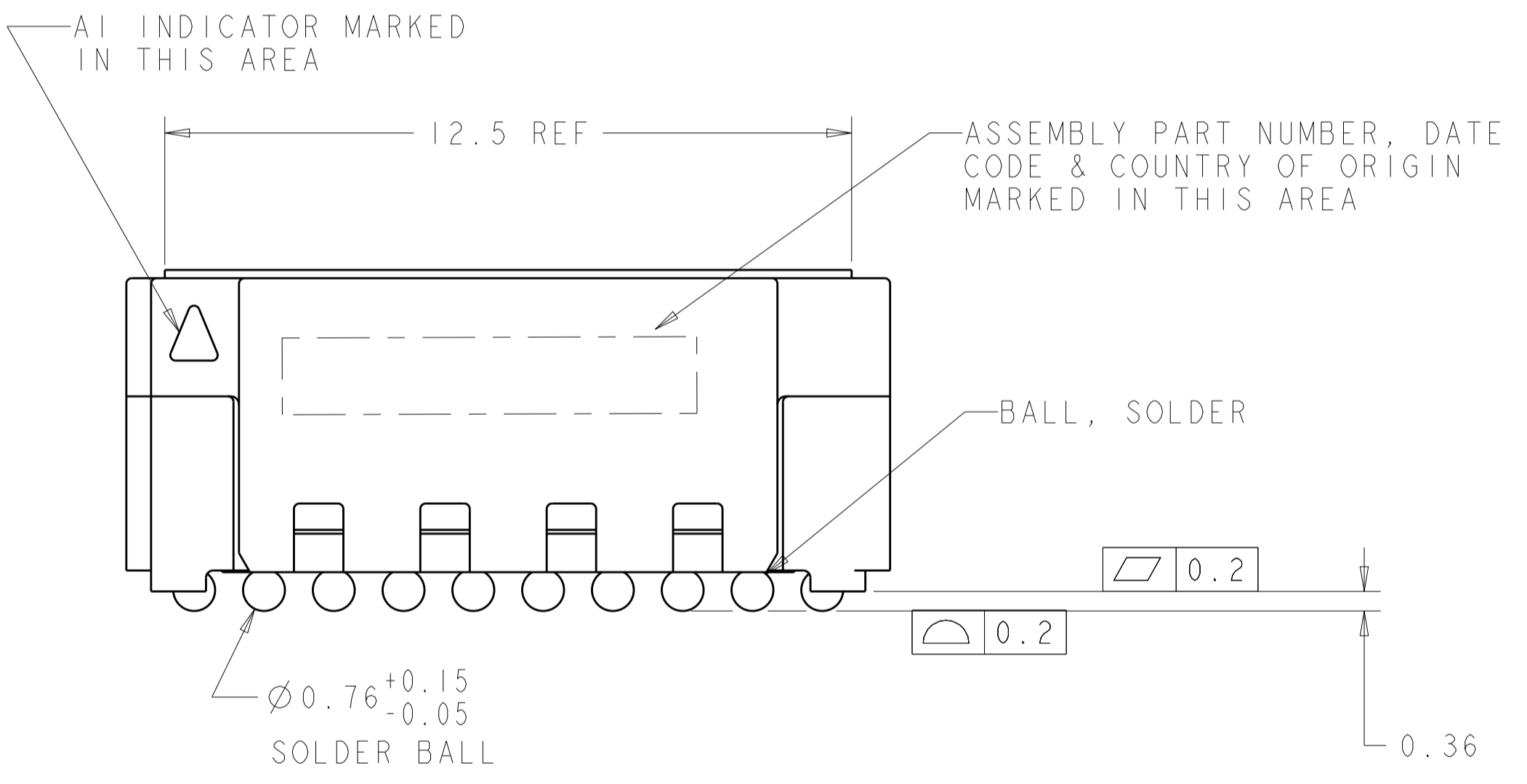


REVISIONS					
P.	LTN	DESCRIPTION	DATE	DWN	APVD
E		REV PER ECO 18-010457	7-24-18	CT	CJ
F		REVISED PER ECO-19-004671	26MAR2019	DCB	RL



△ MATERIAL: HOUSINGS; LCP, COLOR-NATURAL
CONTACT; BERYLLIUM COPPER
SOLDER BALL; SEE TABLE
TAPE, FILM; KAPTON WITH SILICON ADHESIVE

△ FINISH: CONTACT; GOLD (SEE TABLE) ON MATING AREA OVER NICKEL ON ENTIRE CONTACT.



SUPERSEDED BY 2102080-4	2102079-4	12	0.76 μ m	8	LEAD FREE PER SAC405	2102080-8
SUPERSEDED BY 2102080-3	2102079-3	12	0.76 μ m	8	TIN LEAD	2102080-7
SUPERSEDED BY 2102080-2	2102079-4	10	0.76 μ m	6	LEAD FREE PER SAC405	2102080-6
SUPERSEDED BY 2102080-1	2102079-3	10	0.76 μ m	6	TIN LEAD	2102080-5
	2102079-2	12	1.27 μ m	8	LEAD FREE PER SAC405	2102080-4
	2102079-1	12	1.27 μ m	8	TIN LEAD	2102080-3
	2102079-2	10	1.27 μ m	6	LEAD FREE PER SAC405	2102080-2
	2102079-1	10	1.27 μ m	6	TIN LEAD	2102080-1
MATING PART NUMBER	MATED STACK HEIGHT (mm)	GOLD PLATING THICKNESS	H MAX REF	SOLDER BALL MATERIAL	PART NUMBER	

PCB LAYOUT (CONNECTOR SIDE)
SCALE 8:1

THIS DRAWING IS A CONTROLLED DOCUMENT.

DWN: G. DOWNEY 23JUL2009
CHK: K. DOWHOWER 23JUL2009
APVD: K. DOWHOWER 23JUL2009

TE Connectivity

NAME: ASSEMBLY, SOCKET, 60 POSITION, MEZALOK STACKING CONNECTOR

PRODUCT SPEC: 108-2411
APPLICATION SPEC: 114-13279

SIZE: A1
CAGE CODE: 100779
DRAWING NO: C=2102080

RESTRICTED TO: F

SCALE: 8:1 SHEET: 1 OF 1 REV: F