

ITEM	PART#	DESCRIPTION	QTY	UOM
A	2059792041	M-ONE 2.0 RECHSG 4CKT BK	1	PC
B	561349001	2.0 WTB CONN CRIMP REC AWG#22-#24 CHAIN	4	PC
C	--	PAPER PRINTED PAPER WHITE	1	PC

FROM	TO	DESCRIPTION	COLOR
A1	--	1X22AWG DISC PVC BK UL1569 HOOKUP	BLACK
A2	--	1X22AWG DISC PVC BK UL1569 HOOKUP	BLACK
A3	--	1X22AWG DISC PVC BK UL1569 HOOKUP	BLACK
A4	--	1X22AWG DISC PVC BK UL1569 HOOKUP	BLACK

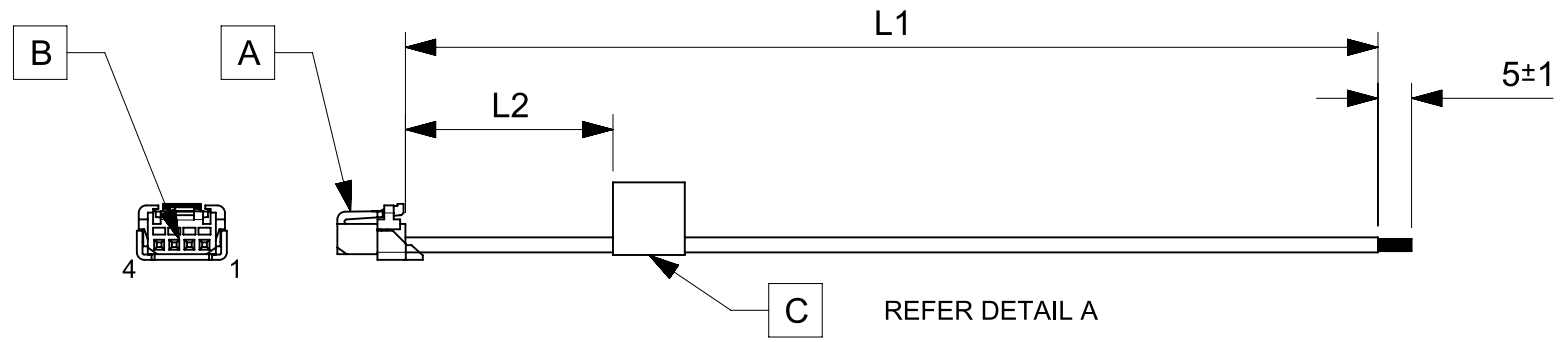


TABLE			
PART NUMBER	L1	L2 (REF)	TITLE
2196531040	50±3	15	Micro-One ISL R-S 4ckt 50mm disc Sn
2196531041	100±3	15	Micro-One ISL R-S 4ckt 100mm disc Sn
2196531042	150±4	15	Micro-One ISL R-S 4ckt 150mm disc Sn
2196531043	300±4	15	Micro-One ISL R-S 4ckt 300mm disc Sn
2196531044	600±6	15	Micro-One ISL R-S 4ckt 600mm disc Sn

NOTES

1. Connector view shown is from mating side.
2. Label text must be 2mm max. in height with Arial font.
3. Label must be wrapped in Flag type on a single cable.
4. Free ends must be stripped, twisted & tinned. The length of tinning is 5±1mm. Tinning Dia must be 0.9 mm Max.

MOLEX P/N
MOLEX
BATCH WK/YR
DETAIL A

REVISION			
DATE	REV	DESCRIPTION	CHANGER
2021/12/27	A	INITIAL RELEASE	SAIKIG

FUNCTIONAL SYMBOLS $\frac{F}{A} = 0$ $\frac{F}{E} = 0$ $\frac{F}{P} = 0$ DIVISIONAL SYMBOLS	DIMENSION UNITS: mm SCALE: NTS		CURRENT REV DESC:				
	GENERAL TOLERANCES (UNLESS SPECIFIED)		EC NO: 690621			SEE TABLE	
	ANGULAR TOL ± °		DRWN: SAIKIG 2021/12/25				
	4 PLACES ±		CHK'D: MNARAYAN01 2022/01/11				
3 PLACES ±		APPR: MNARAYAN01 2022/01/11		PRODUCT CUSTOMER DRAWING			
2 PLACES ±		INITIAL REVISION:		DOCUMENT NUMBER	DOC TYPE		
1 PLACE ±		DRWN: SAIKIG 2021/12/25		2196531040	PSD		
0 PLACES ±		APPR: MNARAYAN01 2022/01/11		000	A		
DRAFT WHERE APPLICABLE MUST REMAIN WITHIN DIMENSIONS		THIRD ANGLE PROJECTION	DRAWING	SERIES	MATERIAL NUMBER	CUSTOMER	SHEET NUMBER
			A4-SIZE	219653	SEE TABLE	GENERAL MARKET	1 OF 1