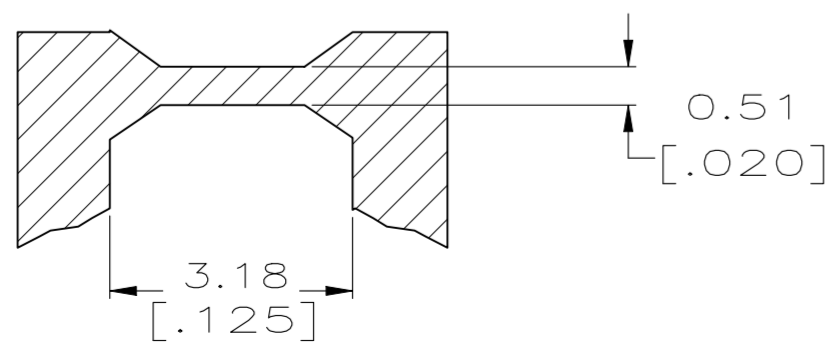
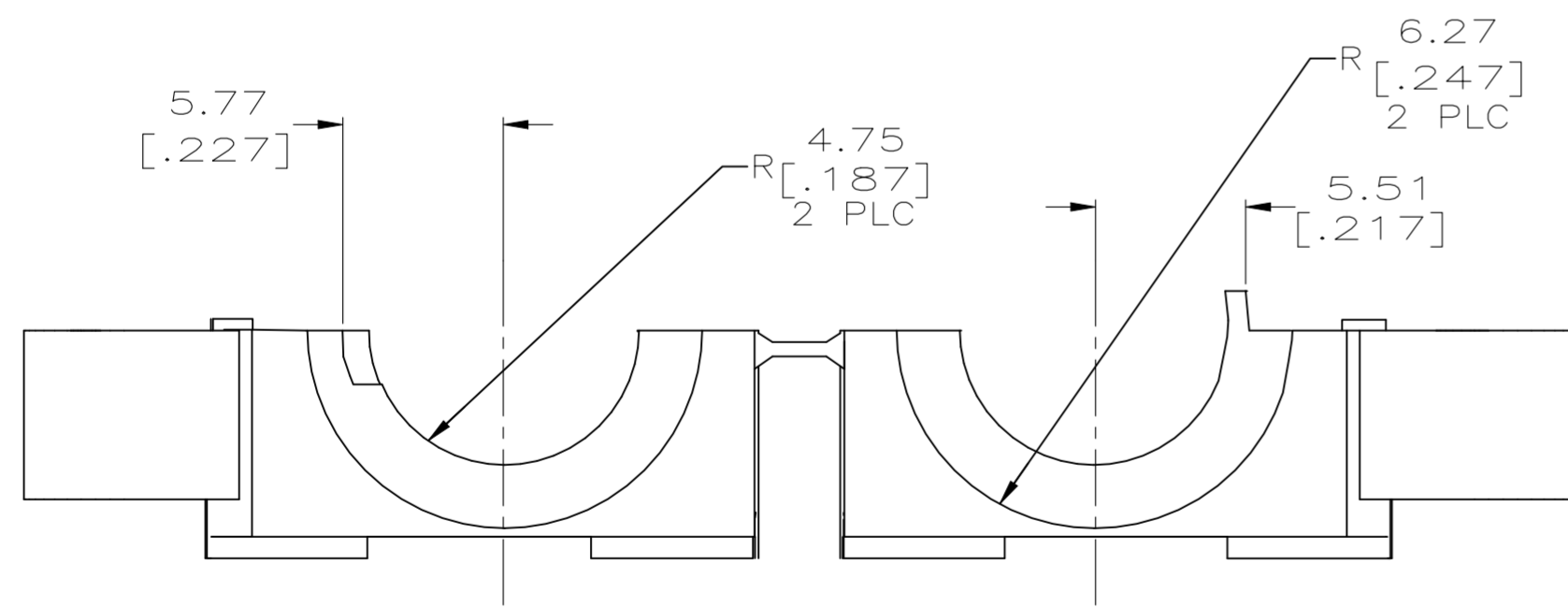
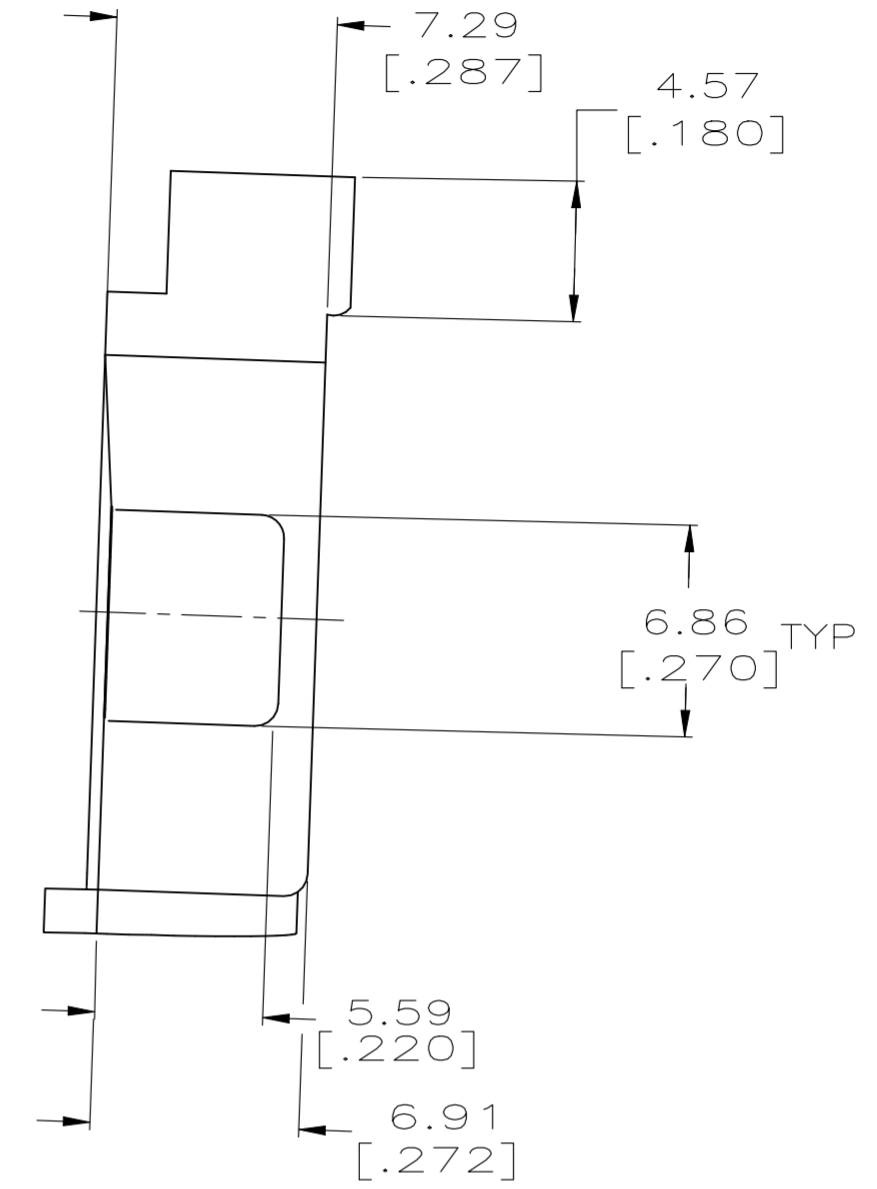
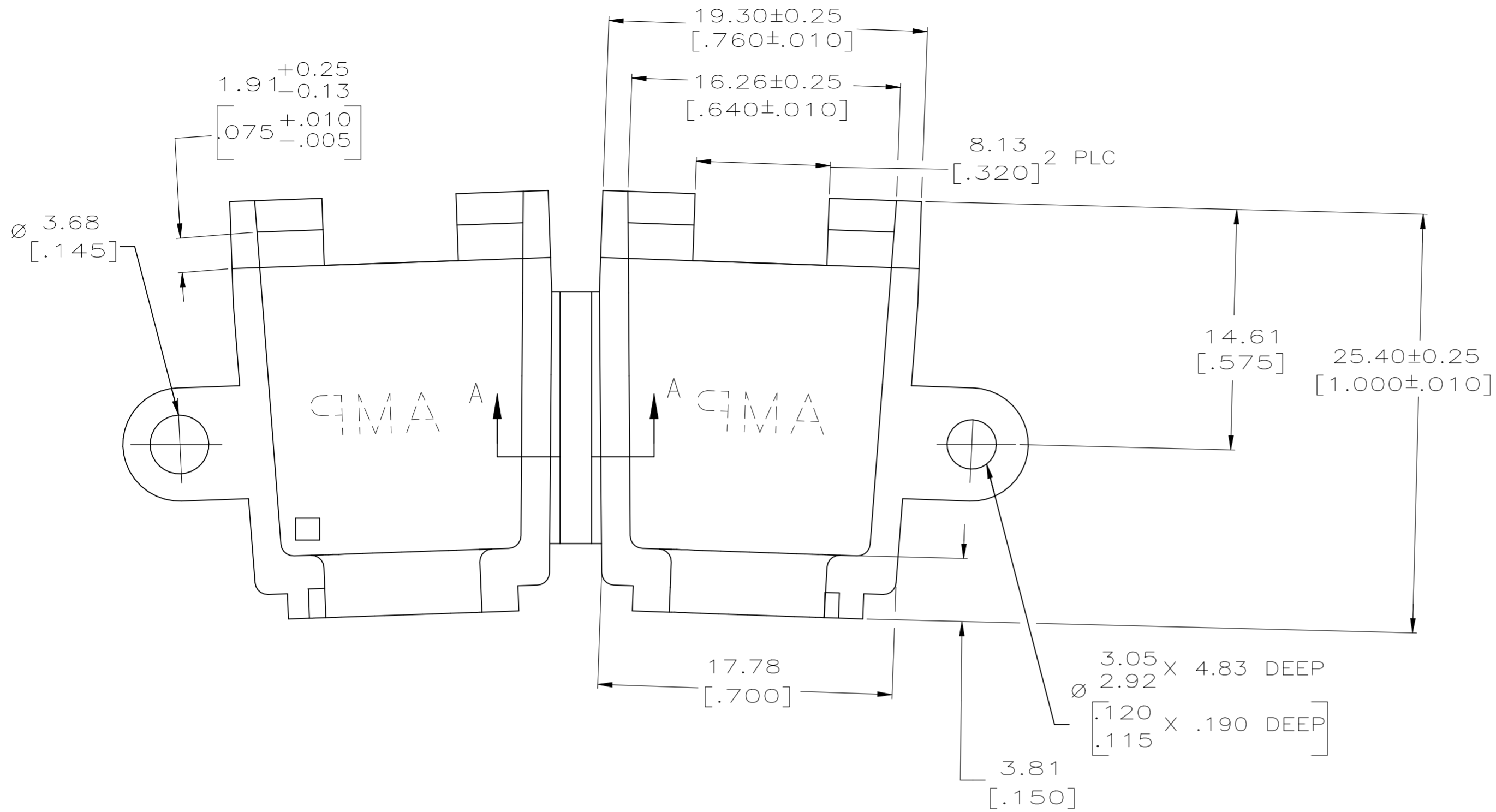
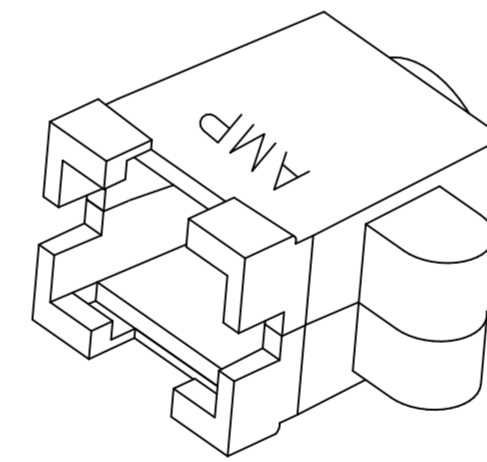


REVISIONS					
P	LTR	DESCRIPTION	DATE	DWN	APVD
L		ECO-21-006913	04OCT2021	RK	MZ



SECTION A-A
SCALE 10:1



3-DIMENSIONAL MODEL
NTS

- 1. REQUIRES A #6 PAN HEAD TYPE "B" SELF TAPPING PAN HEAD SCREW, 9.53 [.375] LONG.
- 2. DIMENSIONS IN BRACKETS ARE IN INCHES.
- 3. HOUSING MATERIAL: PA66, BLACK, UL 94 V-0 RATED
- 4. HOUSING MATERIAL: PA66, BLACK, UL 94 V-2 RATED

4	1-350373-9
3	350373-1
MATERIAL	PART NO

THIS DRAWING IS A CONTROLLED DOCUMENT.		DWN	K. SALMON	5-3-93		TE Connectivity		
DIMENSIONS: mm[INCHES]		CHK	R. SWING	5-3-93		STRAIN RELIEF, HINGED, 6 POSITION		
TOLERANCES UNLESS OTHERWISE SPECIFIED:		APVD	W. LONG	-		-		
0 PLC ± -		PRODUCT SPEC	-	-		-		
1 PLC ± -		APPLICATION SPEC	-	-	SIZE	CAGE CODE	DRAWING NO	RESTRICTED TO
2 PLC ± 0.13[.005]		MATERIAL	SEE TABLE	FINISH	-	A2	00779	C=350373
3 PLC ± -		CUSTOMER DRAWING		WEIGHT	-	SCALE	4:1	SHEET
4 PLC ± -				ANGLES	± -	1 OF 1		REV
FINISH								L