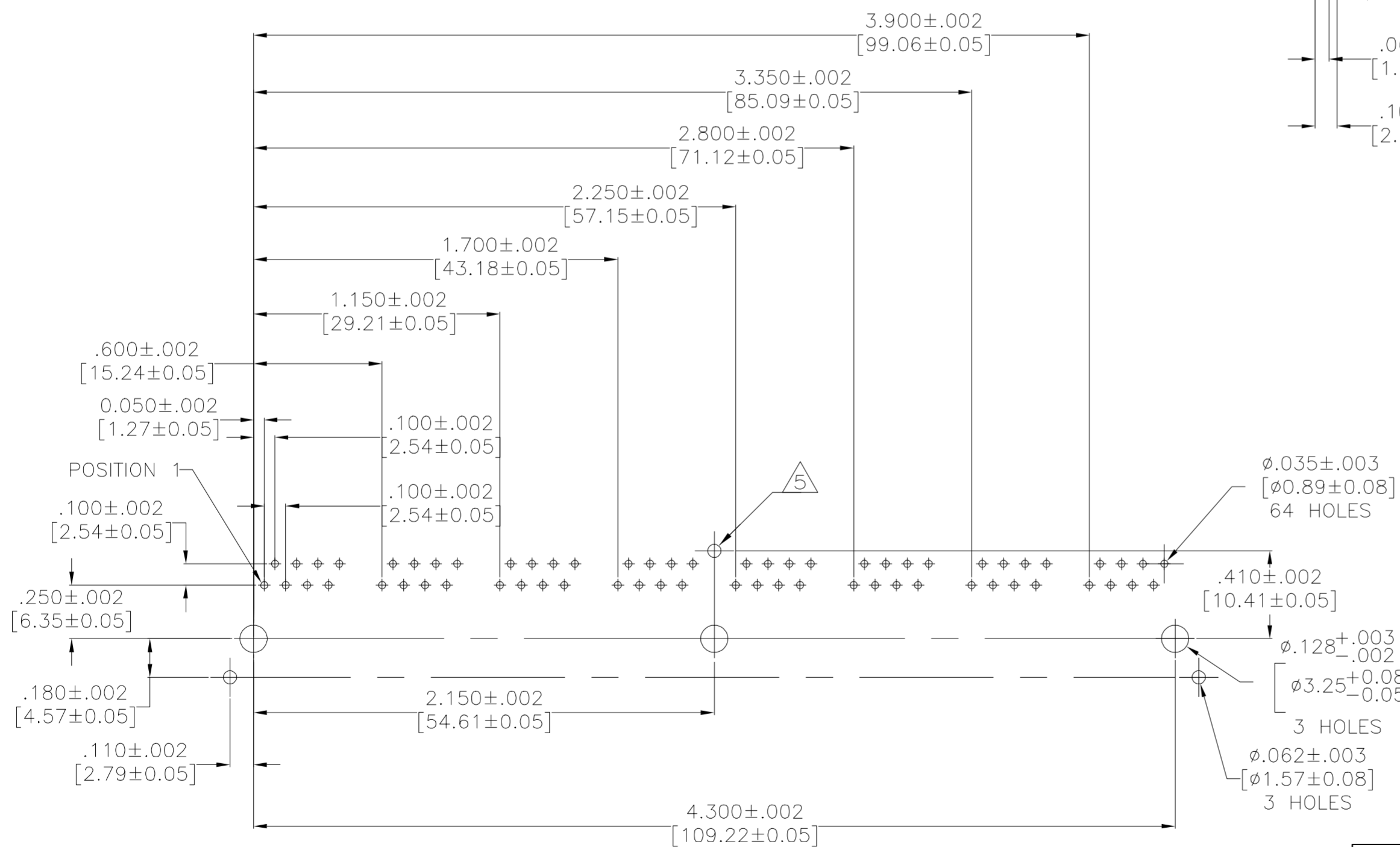
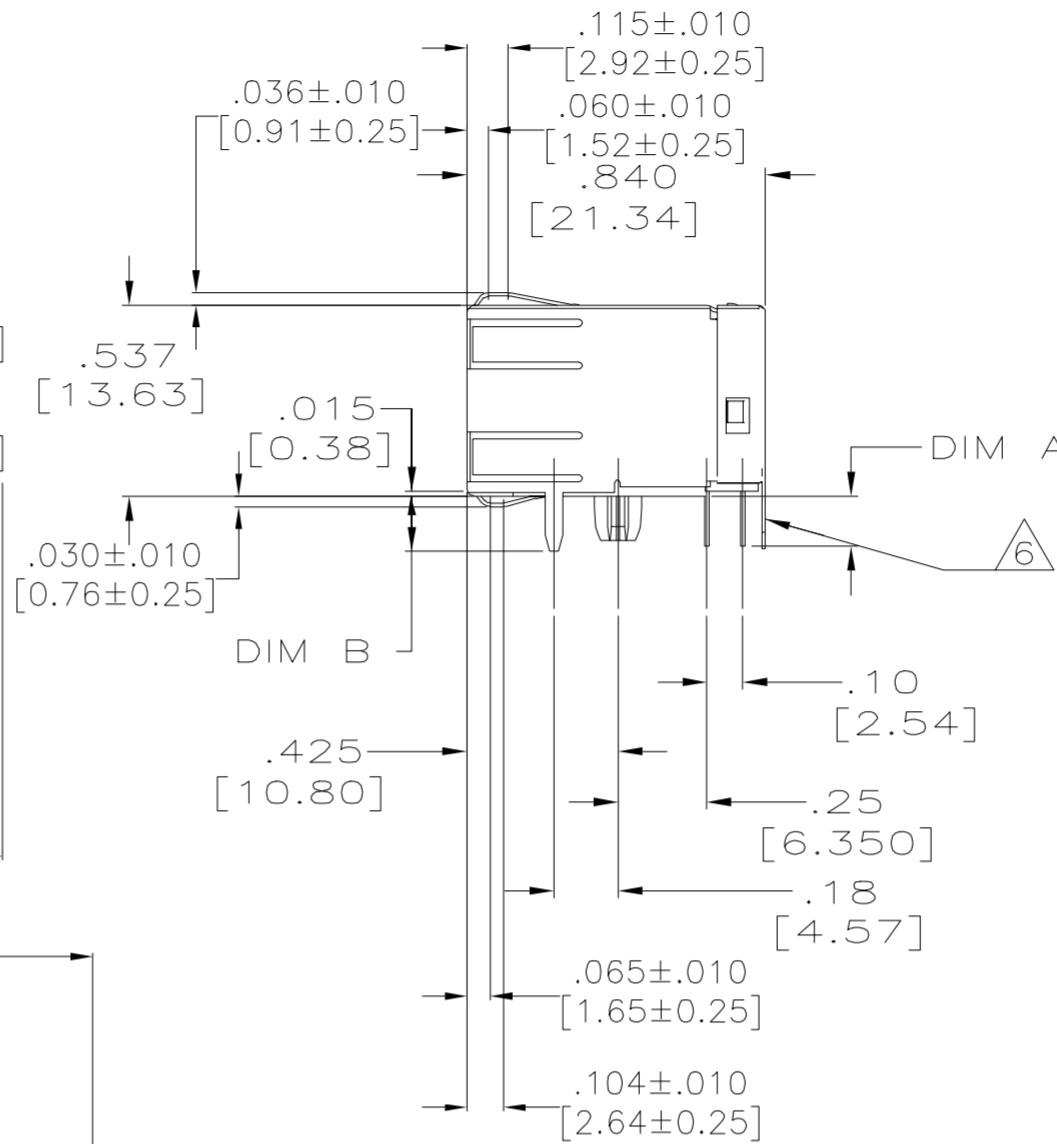
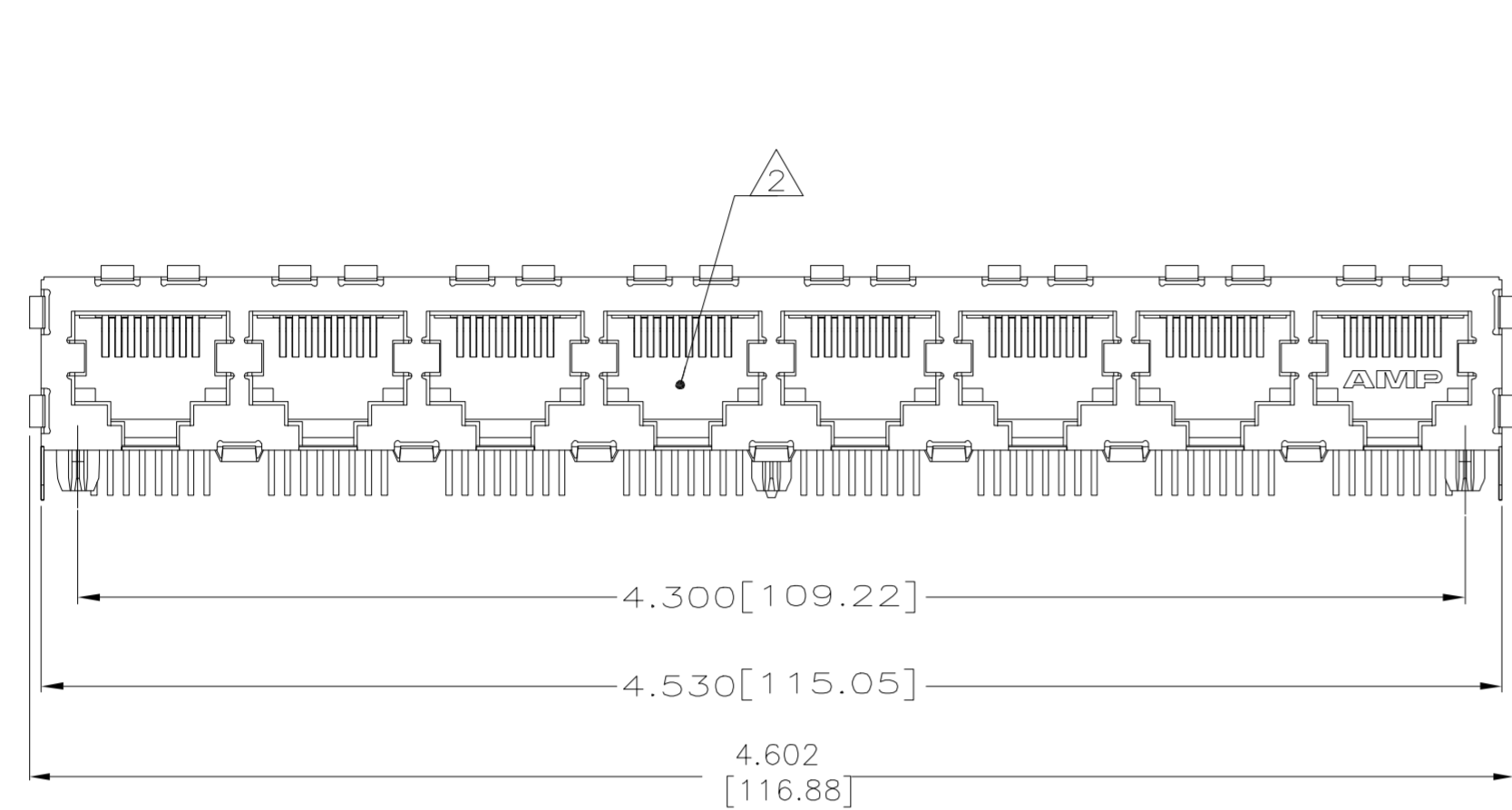


REVISIONS					
P	LTR	DESCRIPTION	DATE	DWN	APVD
F7		ECR-19-014657	13DEC2020	RR	SZ



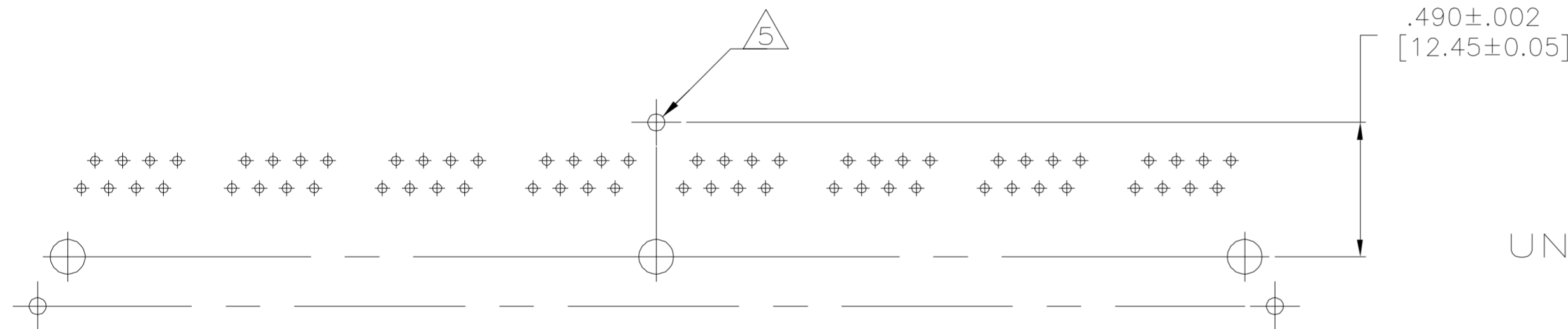
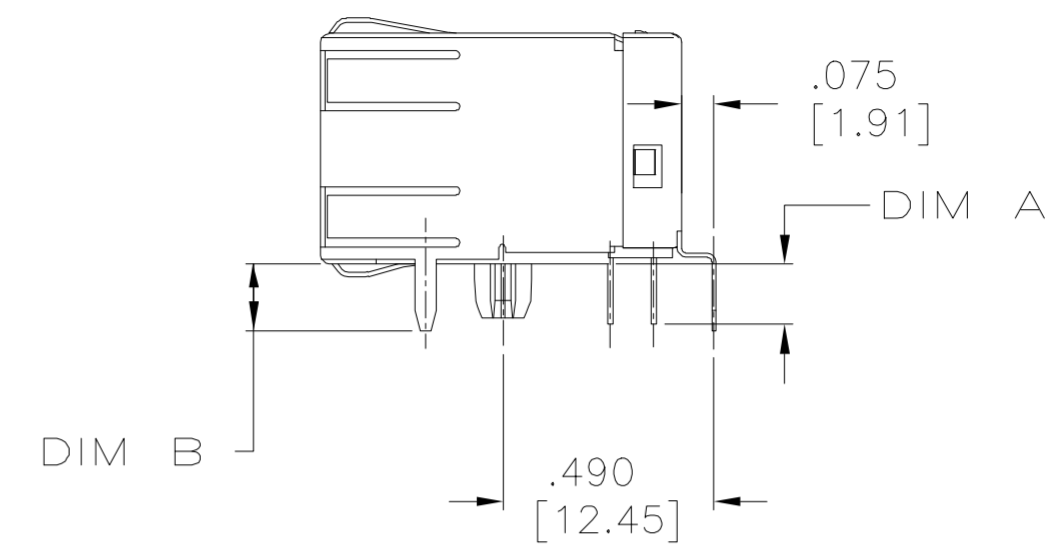
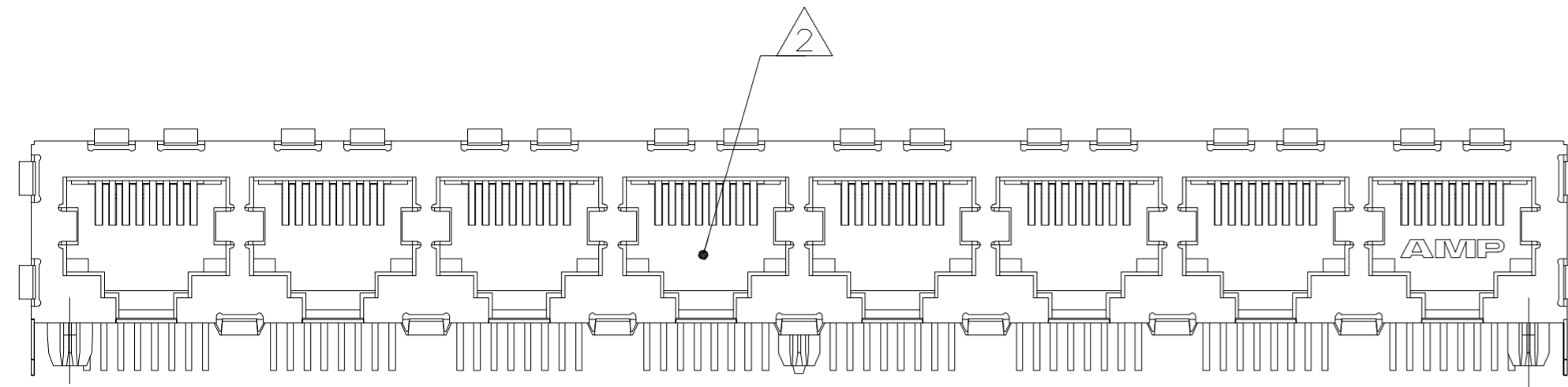
- △ MATERIAL:
HOUSING - NYLON, COLOR: BLACK, UL94V-0.
OVERMOLDED TERMINAL ARRAY - HTN, BROWN.
TERMINALS-.013 [0.33] THICK PHOS BRONZE
PLATED WITH .000050 [1.27µm] THICK HARD
GOLD IN LOCALIZED AREA AND .000150 [3.81 µm] MIN
THICK MATTE TIN IN SOLDER AREA OVER .000050
[1.27 µm] MIN THICK NICKEL UNDERPLATE
SHIELDS - .010 [0.254] THICK COPPER ALLOY
PLATED WITH 1.27 µm [0.00050] MINIMUM NICKEL
AND 2.03 µm [0.00080] MINIMUM HOT TIN DIP ON
PCB GROUND TABS.
- △ JACK CAVITY CONFORMS TO FCC RULES AND
REGULATIONS, PART 68 SUBPART F.
- 3. ALL DIMENSIONS SHOWN ARE NOMINAL UNLESS
OTHERWISE SPECIFIED.
- 4. ALL DIMENSIONS SHOWN IN BRACKETS [] ARE
IN MILLIMETERS.
- △ THIS HOLE IS NEEDED FOR -1 AND -3 ONLY.
- △ THIS TAB REMOVED ON -2.
- △ THE PART IS PRELIMINARY
- △ MATERIAL:
HOUSING - NYLON, COLOR: BLACK, UL94V-0.
OVERMOLDED TERMINAL ARRAY - PBT, BROWN.
TERMINALS-.013 [0.33] THICK PHOS BRONZE
PLATED WITH .000050 [1.27µm] THICK HARD
GOLD IN LOCALIZED AREA AND .000150 [3.81 µm] MIN
THICK MATTE TIN IN SOLDER AREA OVER .000050
[1.27 µm] MIN THICK NICKEL UNDERPLATE
SHIELDS - .010 [0.254] THICK COPPER ALLOY
PLATED WITH 1.27 µm [0.00050] MINIMUM NICKEL
AND 2.03 µm [0.00080] MINIMUM HOT TIN DIP ON
PCB GROUND TABS.
- △ OBSOLETE PARTS: OBSOLETE CIS STREAMLINING
PER D.RENAUD/D.SINISI

△	.128±.010	.128±.010	WITH REAR PC BOARD GROUND TAB	5406491-5
△	.128±.010	.128±.010	WITH REAR PC BOARD GROUND TAB	5406491-4
△	.155	.140±.015	WITHOUT REAR PC BOARD GROUND TAB	5406491-2
△	.155	.140±.015	WITH REAR PC BOARD GROUND TAB	5406491-1
MATERIAL	DIM B (INCHES)	DIM A (INCHES)	DESCRIPTION	PART NO.

FOR P/N:5406491-1&-2
SUGGESTED PC BOARD LAYOUT
COMPONENT SIDE
SEE APPLICATION SPECIFICATION

THIS DRAWING IS A CONTROLLED DOCUMENT.		DWN	13DEC2020	STE TE Connectivity	
DIMENSIONS: mm		CHK	14APR2009		
TOLERANCES UNLESS OTHERWISE SPECIFIED:		Denny Zhu		NAME	
0 PLC ± -	1 PLC ± -	APVD		14APR2009	
2 PLC ± 0.01(0.254)	3 PLC ± 0.005(0.127)	Steven Yao		PRODUCT SPEC	
4 PLC ± -	ANGLES ± -	108-1163-2		APPLICATION SPEC	
MATERIAL	FINISH	114-2048		SIZE	CAGE CODE
-	-	WEIGHT		A2	00779
		CUSTOMER DRAWING		DRAWING NO	
		SCALE		RESTRICTED TO	
		1:1		-	
		SHEET		REV	
		1 OF 2		F7	

REVISIONS					
P	LTR	DESCRIPTION	DATE	DWN	APVD
-	-	SEE SHEET 1	-	-	-



FOR P/N:5406491-4;-5
 SUGGESTED PC BOARD LAYOUT
 COMPONENT SIDE
 SEE APPLICATION SPECIFICATION

UNMARKED DIMENSIONS SAME AS P/N:5406491-1

THIS DRAWING IS A CONTROLLED DOCUMENT.		DWN	13DEC2020		TE TE Connectivity
		CHK	-		
DIMENSIONS:		APVD	-		NAME MODULAR JACK, PANEL GROUND, 8P, RIGHT ANGLE SHEILDED, CAT 5e
mm		PRODUCT SPEC	-		
TOLERANCES UNLESS OTHERWISE SPECIFIED:		APPLICATION SPEC	-		SIZE
0 PLC ± -		WEIGHT	-		A2
1 PLC ± -		CUSTOMER DRAWING	CAGE CODE	00779	DRAWING NO
2 PLC ± -		SCALE	1:1		5406491
3 PLC ± -		SHEET	2 OF 2		RESTRICTED TO
4 PLC ± -		REV	F7		-
ANGLES ± -					
FINISH					