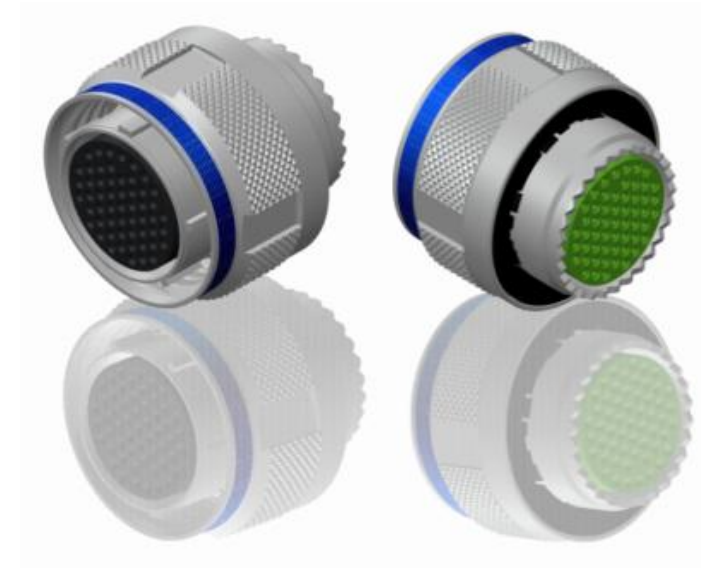
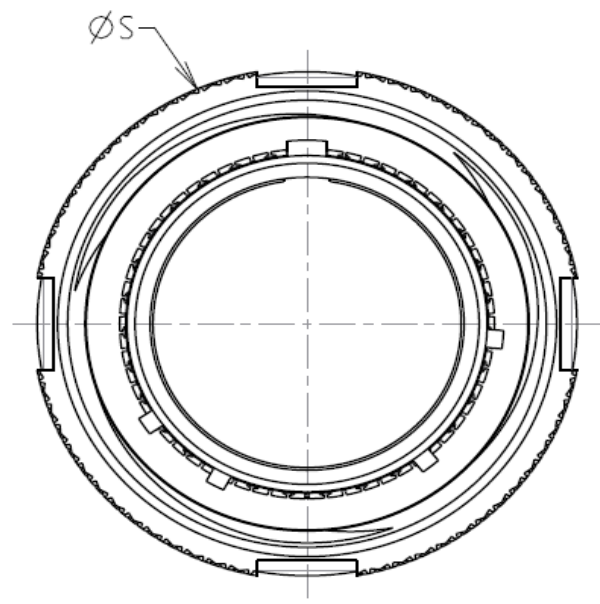
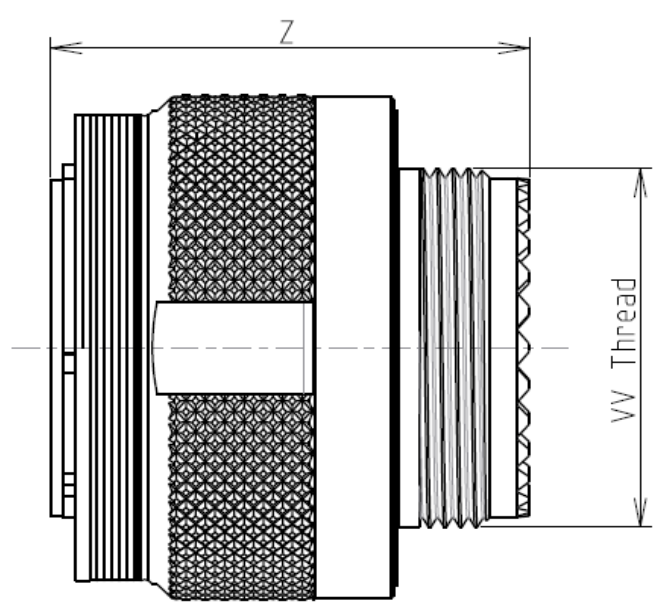


H G F E D C B A



LAYOUT SHOWN AS EXAMPLE

Keying Shown as example

CHARACTERISTICS

- Standard : Based on MIL-DTL-38999 Series III
- Shell Material : Stainless Steel
- Shell Plating : Nickel
- Insulator : Thermoplastic
- Contacts : Copper Alloy
- Seals & Grommet : Silicon Elastomer
- Contact Plating : Gold over copper Alloy 0.8µm minimum
- Durability : 500 Mating cycles
- Delivered without Souriau contacts
- Temperature Range : -65°C to +200°C
- Salt Spray : 500 hours

Connector dimension	
Dim	Nominal
ØS	48 Max
Z	31 Max
VV THREAD	M37x1-6g

SOURIAU shall not be liable for any non-conformity or damage due to a use of the Products which does not comply with the Specifications issued by either of the Parties or by a third party (professional recommendation, technical notice.)

Country	Jurisdiction & Control List
FR	Not Listed

PN: 8D525S41SBL

A	08-10-2016	First Release	
ISS	DATE	Latest modification - by	MOD N°
Designed By:		Date:	CUSTOMER DRAWING

TITLE	Stainless Steel Plug 8D series		
--------------	---------------------------------------	--	--

SCALE		General linear Tolerances:	NPRDS / PROJECT
NA		±--	859

SOURIAU	WWW.SOURIAU.COM	This document is the property of SOURIAU it must not be reproduced or communicated without permission
----------------	------------------------	---

FORMAT	SOURIAU DRG N° 8D525S41SBL-C	SHEET
A3		1/2

BASIC SERIES:	8D	5	-	25	S	41	S	B	L	Delivered W/O Contacts
SHELL TYPE :	Plug with RFI Shielding				ORIENTATION : B					
CONTACT TYPE :	Standard Crimp Contact				CONTACT TYPE : SOCKET(500 Matings)					
SHELL SIZE :	25				CONTACT LAYOUT : 25-41					
PLATING :	S = Nickel									

H G F E D C B A

Contact Layout

41



22#22D, 3#20
11#16, 2#12
3#8 Triax

25-41					
Ctc	X	Y	Ctc	X	Y
A	0	10.79	Y	-5.37	7.92
B	7.09	11.34	Z	3.32	5.72
C	10.77	7.92	a	7.96	-0.42
D	12.94	3.39	b	0	-6.6
E	13.27	-1.62	c	-7.96	-0.42
F	8.17	-6.44	d	-3.32	5.72
G	4.67	-12.53	e	0	4.48
H	0	-13.37	f	3.02	3.07
J	-4.67	-12.53	g	5.32	0.005
K	-8.17	-6.44	h	3.7	-2.43
L	-13.27	-1.62	i	2.38	-4.74
M	-12.94	3.39	j	-2.38	-4.74
N	-10.77	7.92	k	-3.7	-2.43
P	-7.09	11.34	m	-5.32	0.005
R	5.37	7.92	n	-3.02	3.07
S	7.32	3.91	p	0	1.81
T	10.39	0.67	q	2.59	-0.01
U	1.77	-9.66	r	0	-3.53
V	-1.77	-9.66	s	-2.59	-0.01
W	-10.39	0.67	t	0	-0.86
X	-7.32	3.91			

SOURIAU shall not be liable for any non-conformity or damage due to a use of the Products which does not comply with the Specifications issued by either of the Parties or by a third party (professional recommendation, technical notice.)

Country	Jurisdiction & Control List
FR	Not Listed

PN: 8D525S41SBL

A	08-10-2016	First Release	
ISS	DATE	Latest modification - by	MOD N°
Designed By:		Date:	CUSTOMER DRAWING
TITLE	Stainless Steel Plug 8D series		
SCALE		General linear Tolerances: ±--	NPRDS / PROJECT 859
SOURIAU	WWW.SOURIAU.COM		This document is the property of SOURIAU it must not be reproduced or communicated without permission
FORMAT	SOURIAU DRG N° 8D525S41SBL-C		SHEET 2/2