



# 12MHz and 60/72MHz output Clock Generator AK8153A

## Features

- **Input Frequency:**  
60.0MHz (SEL= L)  
72.0MHz (SEL= H)
- **Output Frequency:**  
12M:12MHz  
REF: 60.0MHz (SEL= L)  
72.0MHz (SEL= H)
- **Low Jitter Performance:**  
Longterm jitter (p-p):125 ps  
(1000cycles delay,  $10\sigma$ )
- **Low Current Consumption:**  
6.4 mW max.
- **Output Load:**  
12M: 12pF Max  
REF: 25pF Max
- **Supply Voltage:**  
VDD : 1.8V $\pm$ 0.1V
- **Operating Temperature Range:**  
-30 to +80°C
- **Package:**  
6-pin USON (1.4mm x 1.4mm)

## Description

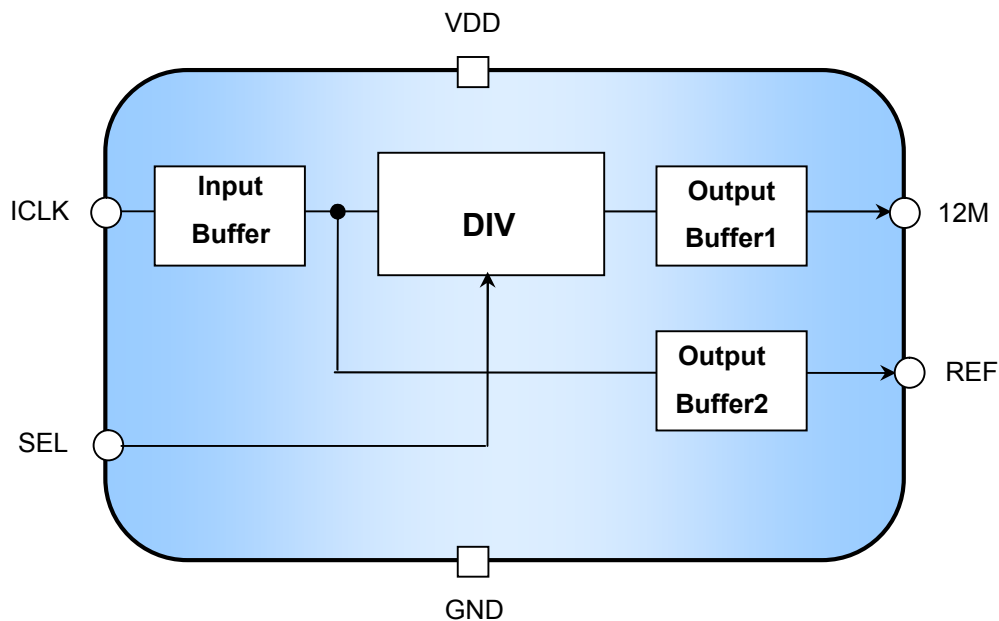
The AK8153A is a high performance clock generator IC with two outputs. It generates 12MHz clock by dividing 60M or 72MHz input clock. And also outputs REF clock which is to be ICLK.

AK8153A provides very low jitter and highly accurate clock output without an external crystal.

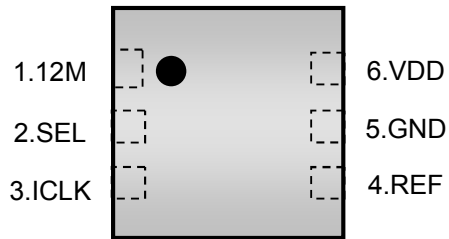
## Applications

- Digital Still Camera
- Digital Video Camera

## Block Diagram



## PIN DESCRIPTION



Package: 6-Pin USON (Top View)  
\*lead-free

Pin No.	Pin Name	Pin Type	Description
1	12M	OUT	12MHz output.
2	SEL	IN	Input Clock frequency select. “L”: 60.0MHz, “H”: 72.0MHz
3	ICLK	IN	60 MHz or 72 MHz input. 1.8V available. Input frequency is selected by SEL pin setting.
4	REF	OUT	Reference clock output. The signal input to the ICLK pin is output.
5	GND	--	Ground.
6	VDD	--	Power supply.

## Input frequency Setting

SEL	ICLK Frequency	Output pin	Output Frequency
L	60.00 MHz	12M	12.00MHz
		REF	60.00MHz
H	72.00 MHz	12M	12.00MHz
		REF	72.00MHz

## Ordering Information

Part Number	Marking	Shipping Packaging	Package	Temperature Range
AK8153A	53A	Tape and Reel	6-pin USON	-30 to 80 °C

## Absolute Maximum Rating

Over operating free-air temperature range unless otherwise noted <sup>(1)</sup>

Items	Symbol	Ratings	Unit
Supply Voltage	VDD	-0.3 to 4.6	V
Input Voltage	V <sub>in</sub>	VSS-0.3 to 3.6	V
Input Current (any pins except supplies)	I <sub>IN</sub>	±10	mA
Storage Temperature	T <sub>stg</sub>	-55 to 130	°C

Note:

(1) Stress beyond those listed under “Absolute Maximum Ratings” may cause permanent damage to the device. These are stress ratings only. Functional operation of the device at these or any other conditions beyond those indicated under “Recommended Operating Conditions” is not implied. Exposure to absolute-maximum-rating conditions for extended periods may affect device reliability. Electrical parameters are guaranteed only over the recommended operating temperature range.



## ESD Sensitive Device

This device is manufactured on a CMOS process, therefore, generically susceptible to damage by excessive static voltage. Failure to observe proper handling and installation procedures can cause damage. AKM recommends that this device is handled with appropriate precautions.

## Recommended Operation Conditions

Parameter	Symbol	Conditions	Min	Typ	Max	Unit
Operating Temperature	T <sub>a</sub>		-30		80	°C
Supply Voltage	VDD		1.7	1.8	1.9	V
Input Clock Frequency	F <sub>in</sub>	SEL=L		60.0		MHz
		SELH		72.0		
Input Clock Duty Cycle		At 1/2 level of ICLK amplitude		50		%
Output Load Capacitance	C <sub>p</sub>	Pin: 12M			12	pF
		Pin: REF			25	

## DC Characteristics

All specifications at VDD: 1.7 to 1.9V, Ta: -30 to +80°C, unless otherwise noted

Parameter	Symbol	Conditions	Min	Typ	Max	Unit
High level input voltage	V <sub>IH</sub>	Pin: ICLK, SEL	0.8*VDD			V
Low level input voltage	V <sub>IL</sub>				0.2*VDD	V
Input leakage current	I <sub>L</sub>	Pin: ICLK, SEL	-10		+10	μA
High level output voltage	V <sub>OH</sub>	12M IOH= -3mA	0.8*VDD1			V
		REF IOH= -7mA	0.9*VDD2			
Low level output voltage	V <sub>OL</sub>	12M IOH= +3mA			0.2*VDD1	V
		REF IOH= +7mA			0.1*VDD2	
Power Consumption	W	No load VDD=1.8V			6.4	mW

## AC Characteristics

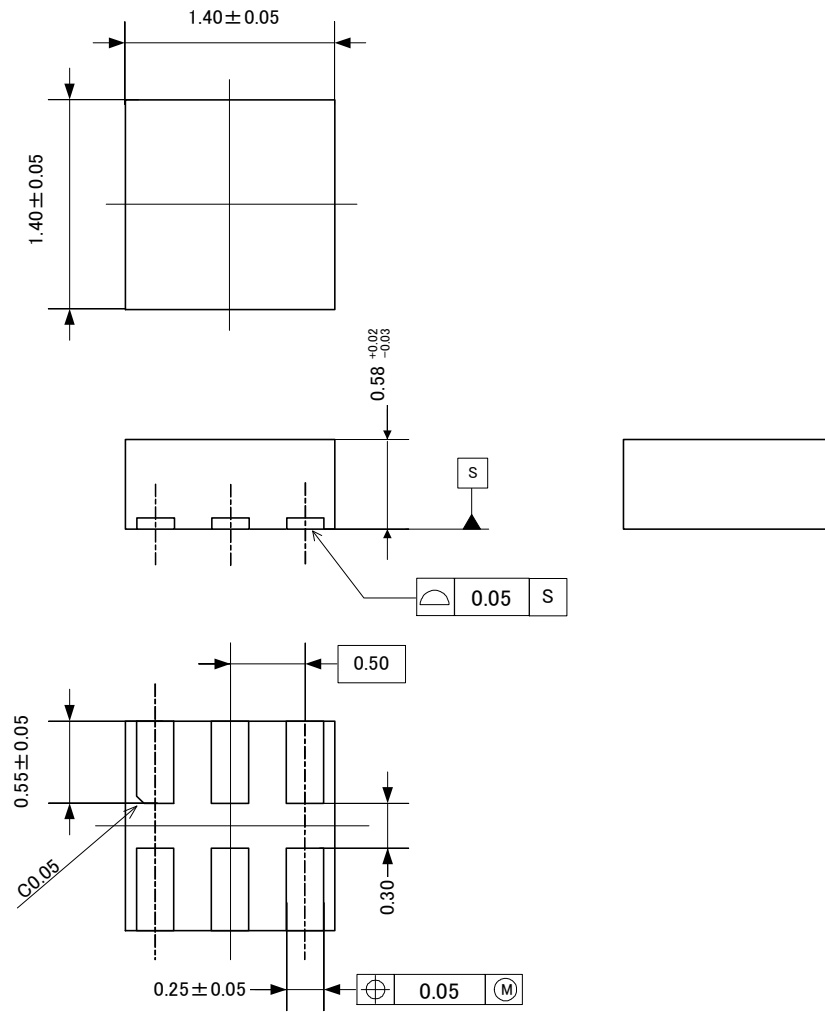
All specifications at VDD: 1.7 to 1.9V, Ta: -30 to +80°C, unless otherwise noted

Parameter	Symbol	Conditions	MIN	TYP	MAX	Unit
Output Clock Frequency 1	fo1	Pin: 12M		12.00		MHz
Output Clock Frequency 2	fo2	Pin: REF SEL=L		60.00		MHz
		Pin: REF SEL=H		72.00		MHz
Output Clock Duty Cycle 1 <sup>(1)(2)</sup>		Pin: 12M Cp=12pF	45	50	55	%
Output Clock Duty Cycle 2 <sup>(1)(2)</sup>		Pin: REF Cp=25pF	40	50	60	%
Output Clock Rise Time <sup>(1)</sup>	t <sub>rise</sub>	Pin: 12M 0.2VDD to 0.8VDD, Cp=12pF			4.0	ns
		Pin: REF 0.1VDD to 0.9VDD, Cp=25pF			1.9	
Output Clock Fall Time <sup>(1)</sup>	t <sub>fall</sub>	Pin: 12M 0.2VDD to 0.8VDD, Cp=12pF			4.0	ns
		Pin: REF 0.1VDD to 0.9VDD, Cp=25pF			1.9	
Period Jitter <sup>(1)</sup>	Jit	Pin: 12M 1σ, Cp=12pF		25		ps
Cycle to Cycle Jitter <sup>(1)</sup>	Jit	Pin: 12M 1σ, Cp=12pF		50		ps
Longterm Jitter <sup>(1)</sup>	Jit	Pin: REF 1000 cycles delay, 10σ in 10000 sampling, Cp=25pF			125	ps
Output Stable Time <sup>(3)</sup>	t <sub>lock</sub>	Pin:12M, REF no load			0.2	ms

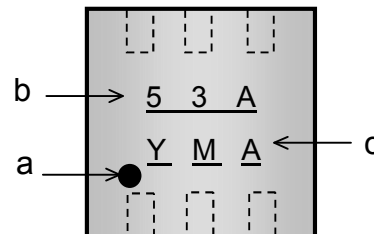
(1) Design value

(2) When the Input clock duty cycle is 50% at 1/2 level of ICLK amplitude

(3) The time that output reaches the target frequency within accuracy of ±0.1% from the point that the ICLK signal starts to be input

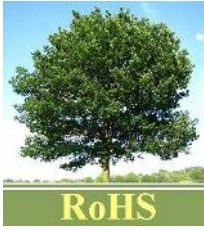
**Package Information**
**• Mechanical data (Units:mm)**

**• Marking**

- a: #1 Pin Index
- b: Part number
- c: Date code (3 digits)



**AKM** and the logo - - are the brand of AKM's IC's and identify that AKM continues to offer the best choice for high performance mixed-signal solution under this brand.

## RoHS Compliance



All integrated circuits from Asahi Kasei Microdevices (AKM) assembled in “lead-free” packages\* are fully compliant with RoHS.

(\* ) RoHS compliant products from AKM are identified with “Pb free” letter indication on product label posted on the anti-shield bag and boxes.

### IMPORTANT NOTICE

- These products and their specifications are subject to change without notice. When you consider any use or application of these products, please make inquiries the sales office of Asahi Kasei Microdevices Corporation (AKM) or authorized distributors as to current status of the products.
- Descriptions of external circuits, application circuits, software and other related information contained in this document are provided only to illustrate the operation and application examples of the semiconductor products. You are fully responsible for the incorporation of these external circuits, application circuits, software and other related information in the design of your equipments. AKM assumes no responsibility for any losses incurred by you or third parties arising from the use of these information herein. AKM assumes no liability for infringement of any patent, intellectual property, or other rights in the application or use of such information contained herein.
- Any export of these products, or devices or systems containing them, may require an export license or other official approval under the law and regulations of the country of export pertaining to customs and tariffs, currency exchange, or strategic materials.
- AKM products are neither intended nor authorized for use as critical components<sup>Note1)</sup> in any safety, life support, or other hazard related device or system<sup>Note2)</sup>, and AKM assumes no responsibility for such use, except for the use approved with the express written consent by Representative Director of AKM. As used here:
  - Note1) A critical component is one whose failure to function or perform may reasonably be expected to result, whether directly or indirectly, in the loss of the safety or effectiveness of the device or system containing it, and which must therefore meet very high standards of performance and reliability.
  - Note2) A hazard related device or system is one designed or intended for life support or maintenance of safety or for applications in medicine, aerospace, nuclear energy, or other fields, in which its failure to function or perform may reasonably be expected to result in loss of life or in significant injury or damage to person or property.
- It is the responsibility of the buyer or distributor of AKM products, who distributes, disposes of, or otherwise places the product with a third party, to notify such third party in advance of the above content and conditions, and the buyer or distributor agrees to assume any and all responsibility and liability for and hold AKM harmless from any and all claims arising from the use of said product in the absence of such notification.