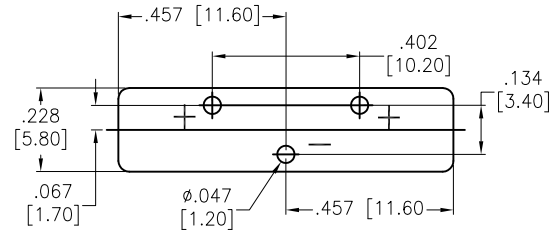
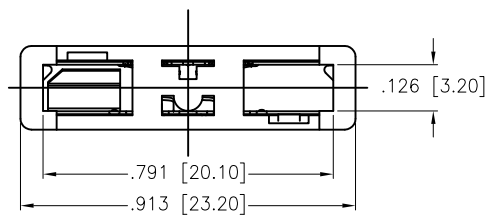
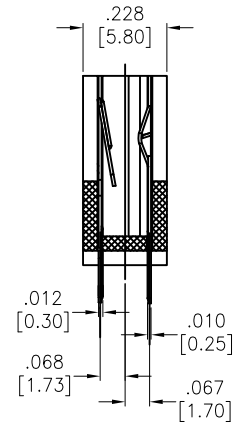
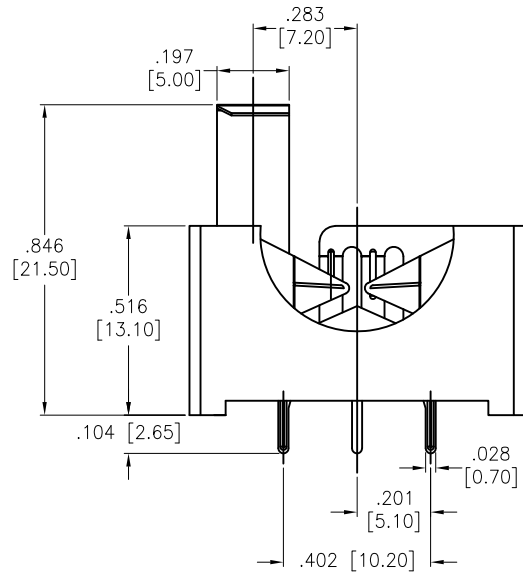


6	5	4	3	2	1		
APPROVED: _____			Rev	AWO #	Description	Date	Appr
DATE: _____ TITLE: _____			-		RELEASED	8/11/16	



RECOMMENDED PCB LAYOUT

SPECIFICATIONS:

Material:
Housing: PBT, Glass reinforced, rated UL94V-0, Color: Black
Contact: Phosphor Bronze, Tin plated
Electrical:
Contact resistance: 30 mohms max
Insulation resistance: 1,000 Mohms min
Dielectric Voltage: 500 VAC one sec level
Temperature Rating:
Operating temperature: -25°C to +85°C.
Environmental:
Lead free, RoHS compliant



UNLESS OTHERWISE SPECIFIED ALL DIMENSIONS ARE INCHES [MM] TOLERANCES: EXCEPT AS NOTED		ADAM TECH 909 Rahway Avenue, Union, NJ 07083 Phone: 908-687-5000 Fax: 908-687-5710	
INCHES HOLES .X ± .10 Ø.X ± .10 .XX ± .020 Ø.XX ± .015 .XXX ± .015 Ø.XXX ± .010			
APPROVALS		TITLE	
DRAWN	HR	BATTERY HOLDER, PCB THRU HOLE VERTICAL, FOR CR2032, BLACK	
CHECKED	LW	DATE	8/11/16
APPROVED		SIZE	X
		PART NO.	BH-91-1
		REV.	-
		REF:	S00136C
		SCALE:	NTS
		SHEET	1 OF 1