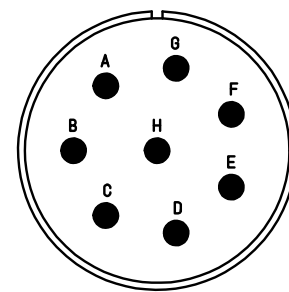
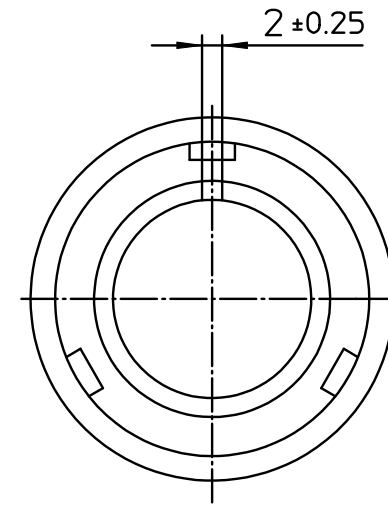




NO.	MASSE / DIMENSIO
A	43.1
B1	15.9
B2	-
C	68



NO.	BESCHREIBUNG / DESCRIPTION
2	ISOLIERKÖRPER BUCHSE / INSULATOR SOCKET
3	DICHTKÖRPER / GROMMET
4	ENDRING / ENDRING
6	KONTAKTBUCHSE / CONTACT SOCKET
7	ZYLINDERGHÄUSE / BARREL
9	ÜBERWURFMUTTER / COUPLING NUT
10	DICHTRING FRONT / FRONT SEALING RING
12	ENDGEHÄUSE / ENDBELL

Note: Due to an automatic nomenclature system, numbers generated may not be sequential.  
 Specification and Dimensions subject to change  
 Drawings illustrate normal insulator positioning

<b>Material Specification:</b>
Shell Material: Aluminium alloy
Shell Plating: Olive drab chromate over cadmium (conductive)
Insulator Material: CR-Elastomere
Contact Material: Copper alloy
Contact Plating: Hard silver

all dimensions are in mm  
 Dimensions without tolerance indications are general tolerances in acc. with DIN7168m  
 drawing for CUSTOMER



description CA3106E22-23SYB-F80-F0  
 Plug, straight  
 Endbell with clamp and bushing  
 AWG Crimp / Socket / Layout: 22-23