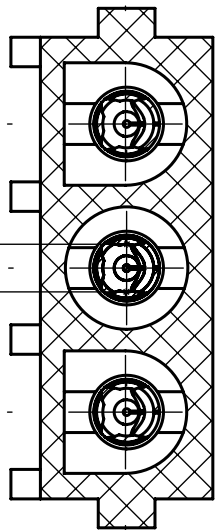
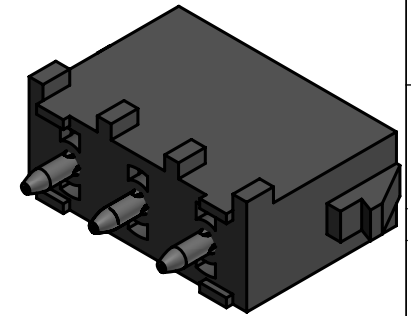
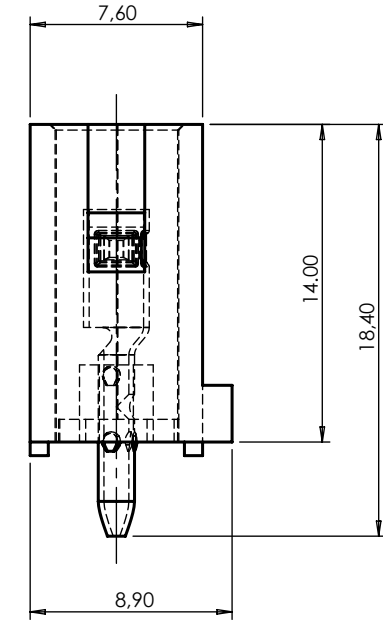
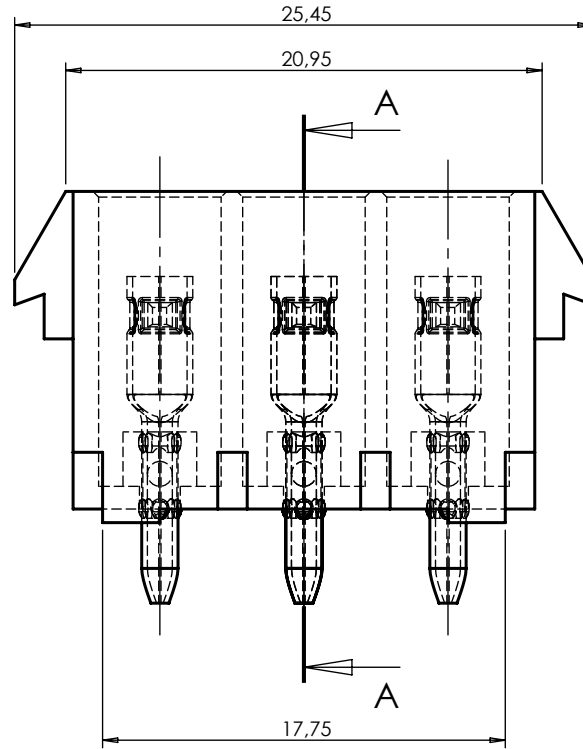
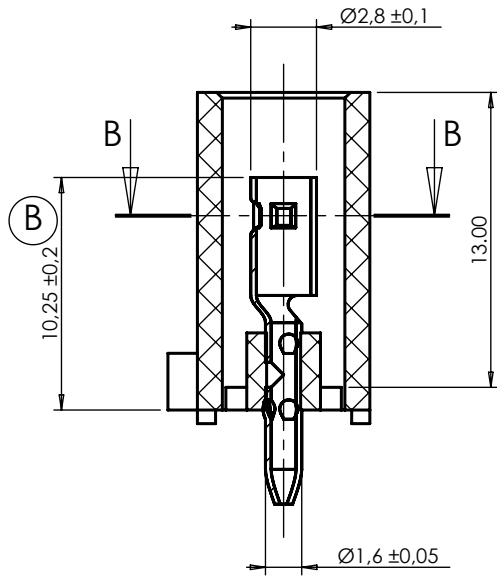
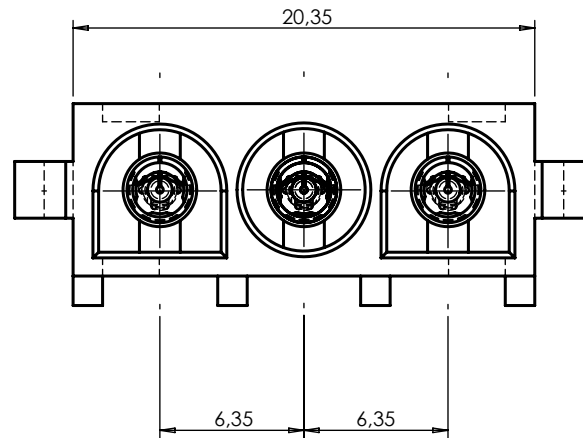


SEZIONE A-A



SEZIONE B-B  
SCALA 3:1



DIMENSIONS WITHOUT TOLERANCES				CS-LK03PCB/F	PA66 UL94 V-2
A $\pm 2^\circ$	0 - 6	$\pm 0,1$	CS-LK03PCB/FV0	PA6/66 UL94 V-0	
	6 - 30	$\pm 0,2$	CS-LK03PCB/FSTY	PA46 UL94 V-2	
	> 30	$\pm 0,3$	CS-LK03PCB/FV0750NF	PA66 UL94 V-0 GWIT 775	
			CS-LK03PCB/F-G	PA6 UL94 V-2 GWIT 775	
			PART NUMBER	MATERIAL	

1	Aggiornato cartiglio e aggiunto quote A e B		13-02-2019
INDEX	MODIFICATION		DATE
 <p>CS S.r.l. 20063 CERNUSCO S/N - VIA COMO, 11 TEL +39.02.9210.7404 - FAX +39.02.9210.0217 http://www.csconnectors.com - e-mail: info@csconnectors.com</p>			
CHECKED BY Stefano Galimberti		DATE 13-02-2019	DESIGN UNITS METRIC
DRAWN BY Luca Viscardi		DATE 13-02-2019	WEIGHT (g) 1.52
CAD REFER Y:\dis\cs\lk\03vie\pcb\		SIZE A4	SCALE 3:1
INDEX 0 06-03-2002			
BASE CODE CS-LK03PCB/F	DESCRIPTION Giunto 3 vie per scheda circuito stampato term. femmina serie LK		