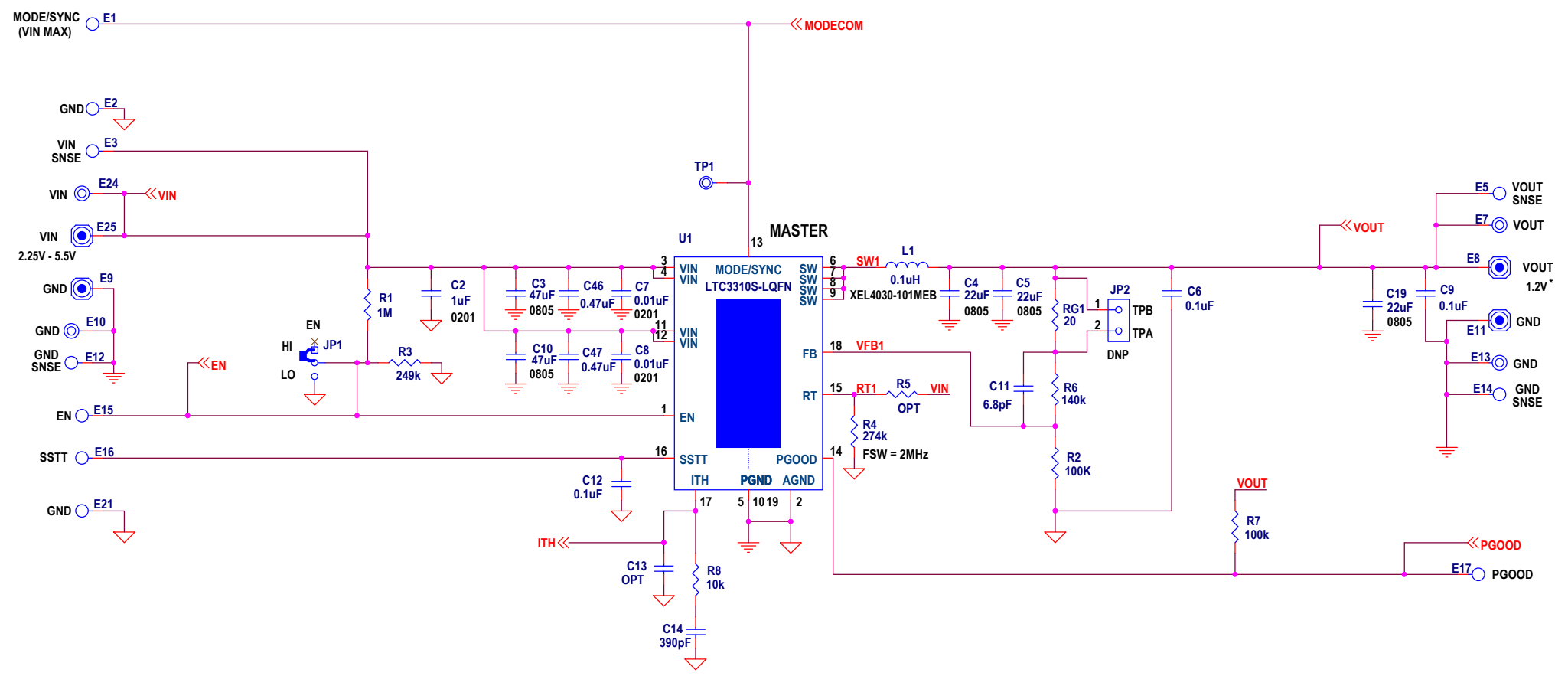


REVISION HISTORY				
ECO	REV	DESCRIPTION	APPROVED	DATE
05	05	PRODUCTION		07-22-19

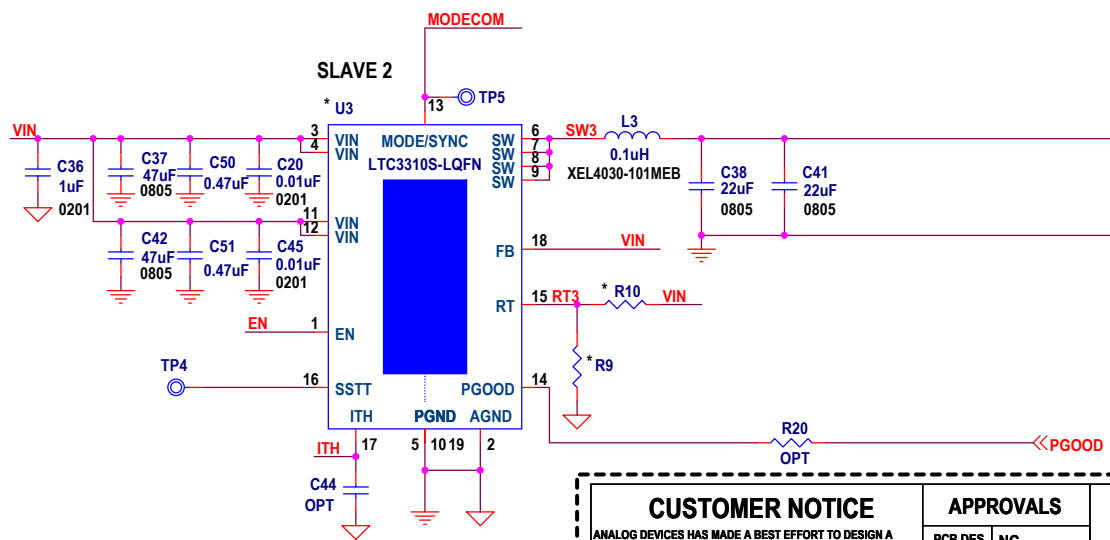
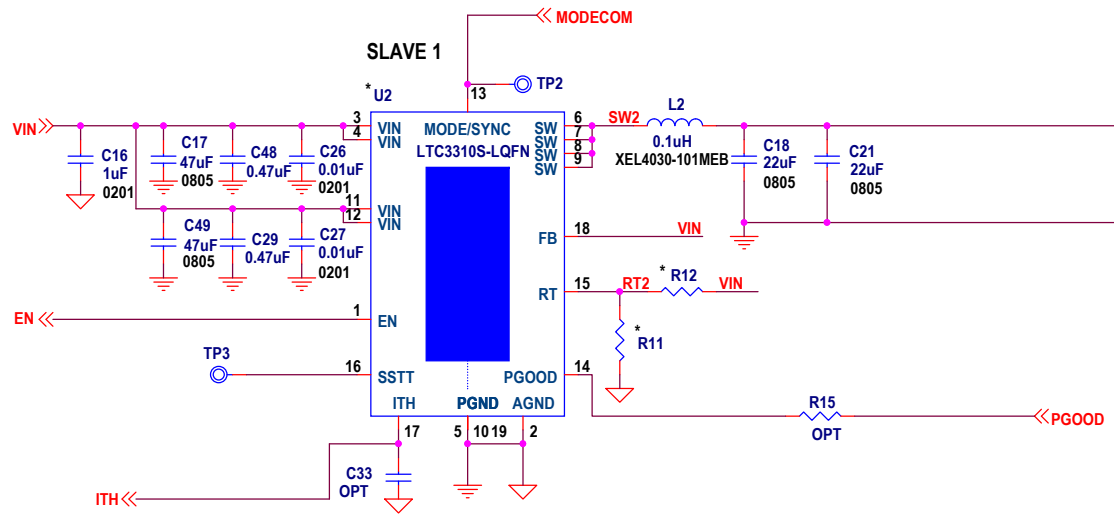




\* ASSEMBLY OPTIONS TABLE

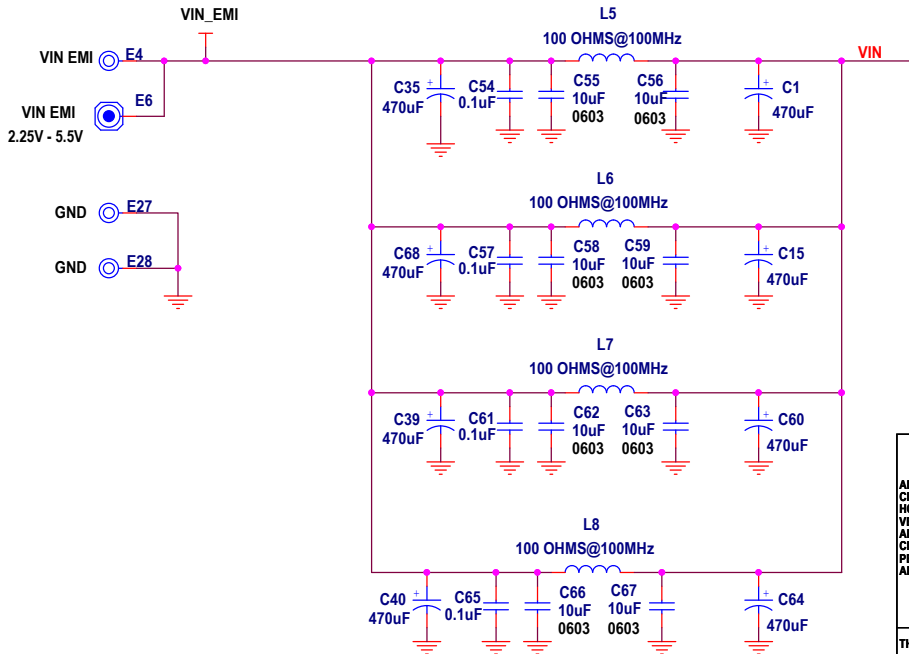
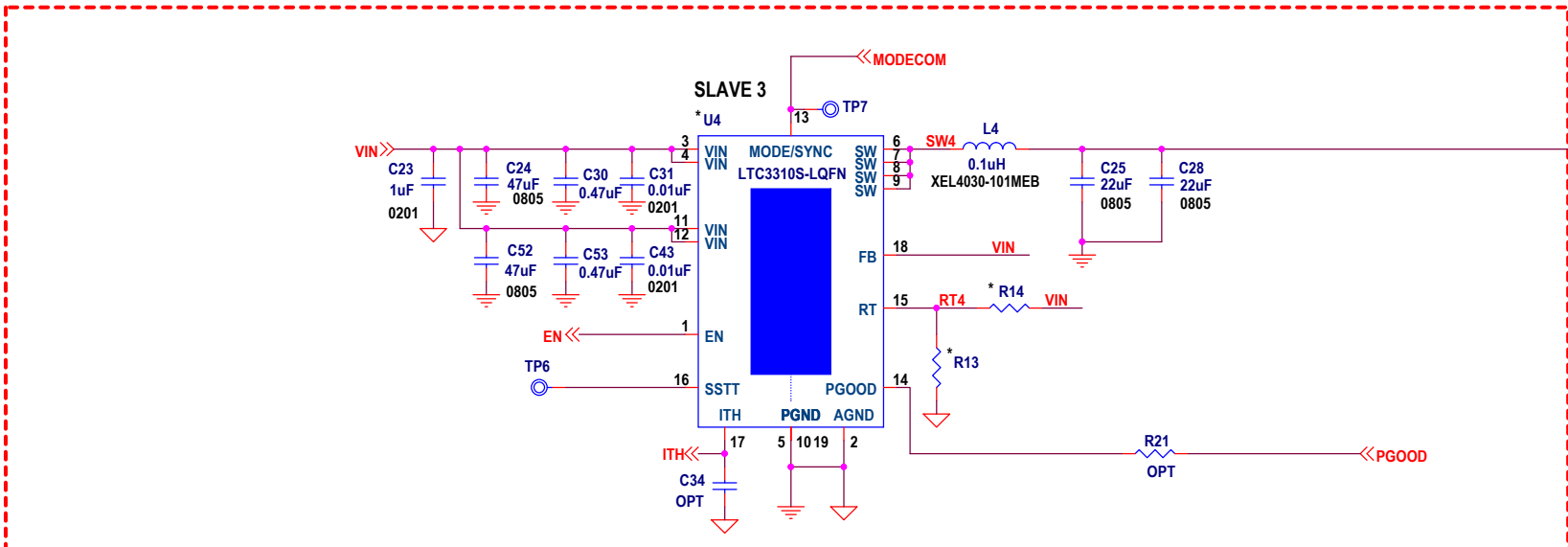
SKU#	# OF PHASES	DO NOT POPULATE	SLAVE 1		SLAVE 2		SLAVE 3		IOUT
			R11	R12	R9	R10	R13	R14	
DC2874A-A	4	NONE	100k	301k	0	DNP	301k	100k	40A
DC2874A-B	3	SLAVE 3	174k	243k	243k	174k	DNP	DNP	30A
DC2874A-C	2	SLAVE 2 & 3	0	DNP	DNP	DNP	DNP	DNP	20A

NOTES: UNLESS OTHERWISE SPECIFIED  
 1. RESISTORS: OHMS, 0402, 1%, 1/16W  
 2. CAPACITORS: 0402

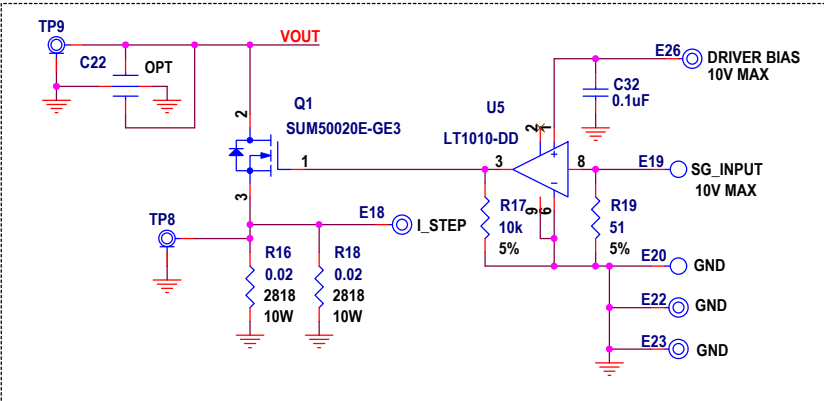
CUSTOMER NOTICE		APPROVALS		ANALOG DEVICES www.analog.com	POWER BY LINEAR Phone: (408)432-1900
ANALOG DEVICES HAS MADE A BEST EFFORT TO DESIGN A CIRCUIT THAT MEETS CUSTOMER-SUPPLIED SPECIFICATIONS; HOWEVER, IT REMAINS THE CUSTOMER'S RESPONSIBILITY TO VERIFY PROPER AND RELIABLE OPERATION IN THE ACTUAL APPLICATION. COMPONENT SUBSTITUTION AND PRINTED CIRCUIT BOARD LAYOUT MAY SIGNIFICANTLY AFFECT CIRCUIT PERFORMANCE OR RELIABILITY. CONTACT ANALOG DEVICES APPLICATIONS ENGINEERING FOR ASSISTANCE.		PCB DES.	NC		
THIS CIRCUIT IS PROPRIETARY TO ANALOG DEVICES AND SUPPLIED FOR USE WITH ANALOG DEVICES PARTS.		APP ENG.	MM	5V, MULTI-PHASE SILENT SWITCHER 2	
				IC NO.	LTC3310S
				SKU NO.	* SEE TABLE
				SCHEMATIC NO. AND REVISION: 710-DC2874A_REV05	
		SIZE:	N/A	DATE:	07-22-19
				SHEET 1 OF 4	



<p><b>CUSTOMER NOTICE</b></p> <p>ANALOG DEVICES HAS MADE A BEST EFFORT TO DESIGN A CIRCUIT THAT MEETS CUSTOMER-SUPPLIED SPECIFICATIONS; HOWEVER, IT REMAINS THE CUSTOMER'S RESPONSIBILITY TO VERIFY PROPER AND RELIABLE OPERATION IN THE ACTUAL APPLICATION. COMPONENT SUBSTITUTION AND PRINTED CIRCUIT BOARD LAYOUT MAY SIGNIFICANTLY AFFECT CIRCUIT PERFORMANCE OR RELIABILITY. CONTACT ANALOG DEVICES APPLICATIONS ENGINEERING FOR ASSISTANCE.</p>	<p><b>APPROVALS</b></p>		  <p>www.analog.com Phone: (408)432-1900</p>		
	PCB DES.	NC		<p>TITLE: SCHEMATIC</p> <p><b>5V, MULTI-PHASE SILENT SWITCHER 2</b></p>	
APP ENG.	MM	IC NO.	LTC3310S	SCHEMATIC NO. AND REVISION:	<b>710-DC2874A_REV05</b>
THIS CIRCUIT IS PROPRIETARY TO ANALOG DEVICES AND SUPPLIED FOR USE WITH ANALOG DEVICES PARTS.		SKU NO.	* SEE TABLE ON PAGE 1	SIZE: N/A	DATE: 07-22-19
					SHEET 2 OF 4





OPTIONAL TRANSIENT RESPONSE CIRCUIT



<b>CUSTOMER NOTICE</b> ANALOG DEVICES HAS MADE A BEST EFFORT TO DESIGN A CIRCUIT THAT MEETS CUSTOMER-SUPPLIED SPECIFICATIONS; HOWEVER, IT REMAINS THE CUSTOMER'S RESPONSIBILITY TO VERIFY PROPER AND RELIABLE OPERATION IN THE ACTUAL APPLICATION. COMPONENT SUBSTITUTION AND PRINTED CIRCUIT BOARD LAYOUT MAY SIGNIFICANTLY AFFECT CIRCUIT PERFORMANCE OR RELIABILITY. CONTACT ANALOG DEVICES APPLICATIONS ENGINEERING FOR ASSISTANCE.	<b>APPROVALS</b>		  www.analog.com	 Phone: (408)432-1900
	PCB DES. NC	APP ENG. MM		
THIS CIRCUIT IS PROPRIETARY TO ANALOG DEVICES AND SUPPLIED FOR USE WITH ANALOG DEVICES PARTS.	IC NO. LTC3310S	SKU NO. * SEE TABLE ON PAGE 1	SCHEMATIC NO. AND REVISION: <b>710-DC2874A_REV05</b>	
	SIZE: N/A	DATE: 07-22-19	SHEET 3 OF 4	

PCA ADDITIONAL PARTS

MP1	STANDOFF,NYLON,SNAP-ON,0.25" (6.4mm)
MP2	STANDOFF,NYLON,SNAP-ON,0.25" (6.4mm)
MP3	STANDOFF,NYLON,SNAP-ON,0.25" (6.4mm)
MP4	STANDOFF,NYLON,SNAP-ON,0.25" (6.4mm)
LB1	BOARD S/N LABEL
PCB1	PCB, DC2874A REV05
STNCL1	TOOL, STENCIL, 700-DC2874A REV05
MP5	RING,LUG,#10,CRIMP,8 AWG,FLAT,NON-INSULATED,SOLDERLESS TERMINAL
MP6	RING,LUG,#10,CRIMP,8 AWG,FLAT,NON-INSULATED,SOLDERLESS TERMINAL
MP7	RING,LUG,#10,CRIMP,8 AWG,FLAT,NON-INSULATED,SOLDERLESS TERMINAL
MP8	RING,LUG,#10,CRIMP,8 AWG,FLAT,NON-INSULATED,SOLDERLESS TERMINAL
MP9	RING,LUG,#10,CRIMP,8 AWG,FLAT,NON-INSULATED,SOLDERLESS TERMINAL
MP10	NUT,HEX,#10-32,BRASS
MP11	NUT,HEX,#10-32,BRASS
MP12	NUT,HEX,#10-32,BRASS
MP13	NUT,HEX,#10-32,BRASS
MP14	NUT,HEX,#10-32,BRASS
MP15	NUT,HEX,#10-32,BRASS
MP16	NUT,HEX,#10-32,BRASS
MP17	NUT,HEX,#10-32,BRASS
MP18	NUT,HEX,#10-32,BRASS
MP19	NUT,HEX,#10-32,BRASS
MP20	WASHER,#10,LOCK,EXT,TIN FINISH
MP21	WASHER,#10,LOCK,EXT,TIN FINISH
MP22	WASHER,#10,LOCK,EXT,TIN FINISH
MP23	WASHER,#10,LOCK,EXT,TIN FINISH
MP24	WASHER,#10,LOCK,EXT,TIN FINISH

<p><b>CUSTOMER NOTICE</b></p> <p>ANALOG DEVICES HAS MADE A BEST EFFORT TO DESIGN A CIRCUIT THAT MEETS CUSTOMER-SUPPLIED SPECIFICATIONS; HOWEVER, IT REMAINS THE CUSTOMER'S RESPONSIBILITY TO VERIFY PROPER AND RELIABLE OPERATION IN THE ACTUAL APPLICATION. COMPONENT SUBSTITUTION AND PRINTED CIRCUIT BOARD LAYOUT MAY SIGNIFICANTLY AFFECT CIRCUIT PERFORMANCE OR RELIABILITY. CONTACT ANALOG DEVICES APPLICATIONS ENGINEERING FOR ASSISTANCE.</p>	<p><b>APPROVALS</b></p>		  <p>www.analog.com Phone: (408)432-1900</p>
	<p>PCB DES. NC</p>	<p>APP ENG. MM</p>	
<p>THIS CIRCUIT IS PROPRIETARY TO ANALOG DEVICES AND SUPPLIED FOR USE WITH ANALOG DEVICES PARTS.</p>	<p>IC NO. LTC3310S</p> <p>SKU NO. * SEE TABLE ON PAGE 1</p>		<p>SCHEMATIC NO. AND REVISION:</p> <p><b>710-DC2874A_REV05</b></p>
	<p>SIZE: N/A</p>	<p>DATE: 07-22-19</p>	<p>SHEET 4 OF 4</p>