

## SUMMARY

### # Wires

Low voltage 19



*Image is for illustrative purpose only*

Series 2M  
Termination type Female crimp  
IP rating 68 when mated  
AWG wire size 26.00 - 22.00  
Cable Ø 6.50 - 13.00 mm  
Status active  
Matching parts [FGP.2M.319.XLCM](#)

### Download

[Request a quote](#)  
[Eplan](#)  
[Catalog](#)

## TECHNICAL DETAILS

### Mechanics

Shell Style/Model PE\*: Fixed receptacle, nut fixing with MIL-DTL38999L shell thread  
Keying 3 keys (beta=150, gamma=60, plug: male contacts, receptacle: female contacts)  
Housing Material Aluminium (nickel plated [SAE AMS QQ N 290], anthracite color) shell and nut, other pieces bronze/brass  
Weight 13.95 g

### Performance

Configuration 2M.319 : 19 Low Voltage  
Insulator L: PEEK  
Rated Current 4 Amps

### Specifications

Contact Type: Crimp  
Contact Retention: 22 N  
Contact Dia.: 0.7 mm (0.028in)  
Bucket Dia.: 0.8 mm (0.031in)  
Min. Conductor: 0.14 mm<sup>2</sup> (AWG 26)  
Max. Conductor: 0.34 mm<sup>2</sup> (AWG 22)  
R (max): 6.1 mOhm  
Test voltage (kV rms) Contact-contact: 1.2

*LEMO products and services are provided "as is". LEMO makes no warranties or representations with regard to LEMO product & services or use of them, express, implied or statutory, including for accuracy, completeness, or security. The user is fully responsible for his products and applications using LEMO components.*

Test voltage (kV rms) Contact-shell: 0.95

## Others

Endurance (Shell): 3000 mating cycles

Temp (min / max): -20°C / +200°C

Humidity (max): 21 days at 95%

Gunfire vibration: 25 Hz - 2000 Hz, 3 axis (Apache helicopter)

Vibration-Sine: 30 g, 3 axes, 12 hr [10 Hz - 2000 Hz]

Vibration-Random: 37.8 g rms - 3 axes, 4 hr amb [50 Hz - 2000 Hz]

Shock Resistance: 300 g [ 3 ms]

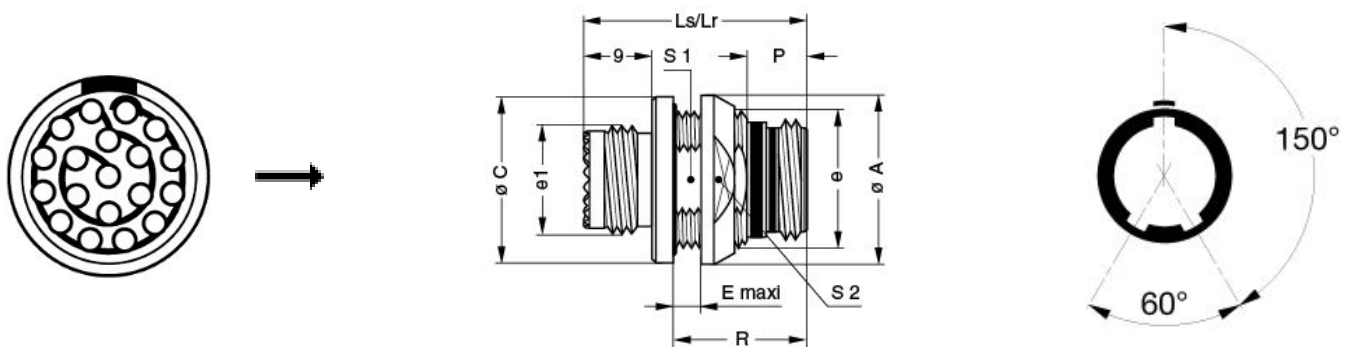
Lighting strike EIA 364-75: 10K amps - 6 times

Thermal shock: 5 cycles: -65°C to +150°C

EMI Shielding EIA 364-66A: >= 80 dB (1 GHz), >=70 dB (3 GHz), >= 58 dB (6 GHz), >= 40 dB (10 GHz)

Salt Spray Corrosion: max. 48 hr

## DRAWINGS



## Dimensions

	A	C	E	Lr	Ls	R	S1	S2	e	e1
mm.	21	20.8	5	26.4	26.4	13.8	15.5	18	M17x1.0	M15x1.0
in.	0,83	0,82	0,20	1,04	1,04	0,54	0,61	0,71		

## RECOMMENDED BY LEMO

LEMO products and services are provided "as is". LEMO makes no warranties or representations with regard to LEMO product & services or use of them, express, implied or statutory, including for accuracy, completeness, or security. The user is fully responsible for his products and applications using LEMO components.

## Tools

Crimp Tool:	<a href="#">DPC.91.701.V</a>
Crimp settings:	AWG/Selector = 22-24-26/6-5-5
Positionner:	<a href="#">DCE.91.070.3MVM</a>
Extractor:	<a href="#">DCF.93.070.4LT</a>
Replacement contact:	EGN.0M.655.ZZM
Spanner wrench:	<a href="#">Socket for torque wrench DCM.65.180.AZ</a>