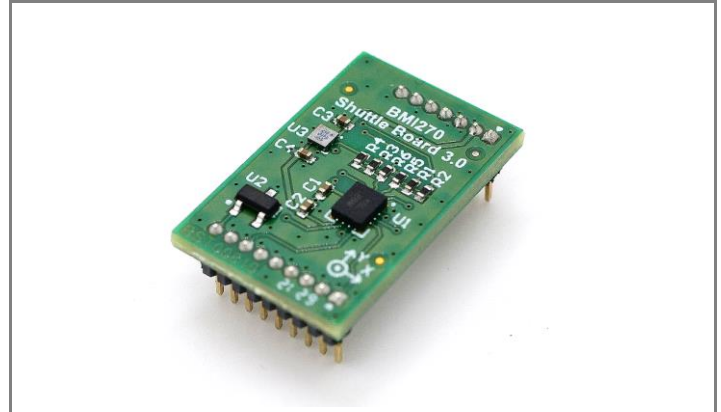


BMI270

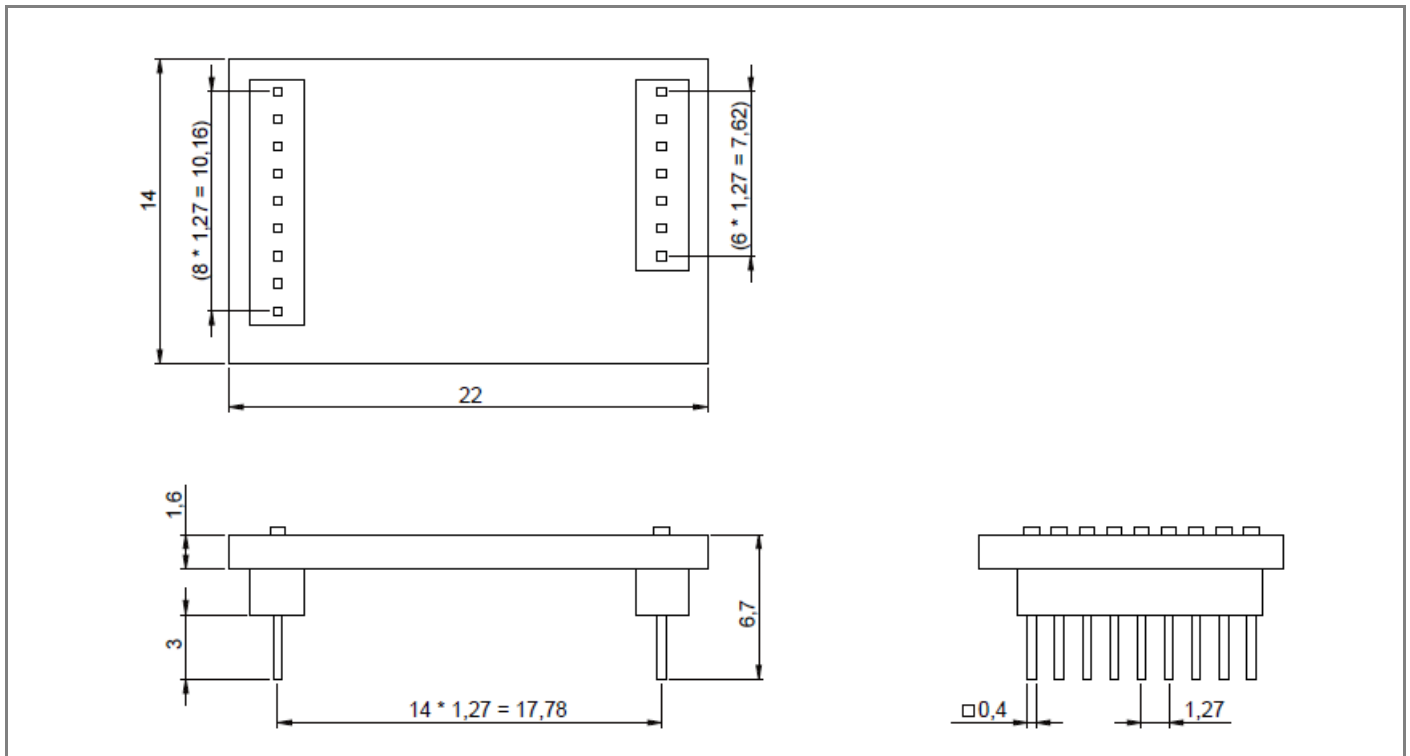
Shuttle board 3.0

GENERAL DESCRIPTION

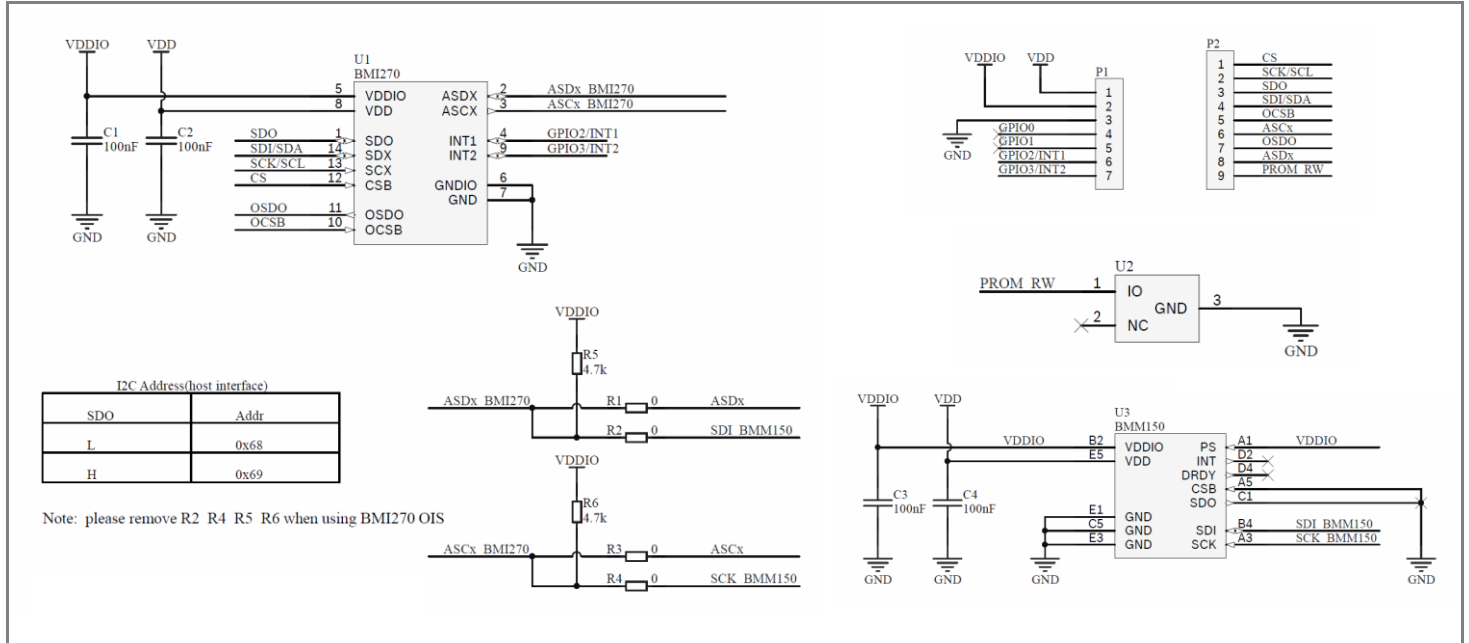
The Bosch Sensortec BMI270 shuttle board 3.0 is a PCB with the 6-axis inertial measurement unit BMI270 and a Magnetometer, BMM150 mounted on it. In combination with the application board 3.0, the shuttle board can be used to evaluate various functionalities provided on BMI270. The shuttle board allows easy access to the sensor pins via a simple socket and can be directly plugged into the Bosch Sensortec's application board 3.0.



Note: product photo may differ from real product's appearance



Shuttle board outline dimensions (all dimensions in mm)



Electrical layout

DESIGNATOR P1 SHUTTLE BOARD CONNECTOR

Pin	Pin name	Description
1	VDD	Analog power supply voltage (1.71V ... 3.6V)
2	VDDIO	Digital I/O power supply voltage (1.2V ... 3.6V)
3	GND	Ground
4	GPIO0	NC
5	GPIO1	NC
6	GPIO2/INT1	Interrupt pin 1
7	GPIO3/INT2	Interrupt pin 2

Shuttle board identification:

- ▶ Shuttle ID: 0x1b8
- ▶ Shuttle board identifier: BST00819_V2.1

I2C Address (Host Interface)

SDO	Address	Part
L	0x68	BMI270
H	0x69	

DESIGNATOR P2 SHUTTLE BOARD CONNECTOR

Pin	Pin name	Description
1	CS	Chip selection pin of SPI bus (host interface)
2	SCK/SCL	Clock pin of SPI bus / clock pin of I2C bus (host interface)
3	SDO	Master-input-slave-output data pin of SPI bus (host interface)
4	SDI/SDA	Master-output-slave-input data pin of SPI bus / data pin of I2C bus (host interface)
5	OCSB	Chip selection pin of SPI bus (OIS interface)
6	ASCx	Clock pin of SPI bus (OIS interface) / clock pin of I2C bus (AUX interface e.g. BMM150)
7	OSDO	Master-input-slave-output data pin of SPI bus (OIS interface)
8	ASDx	Master-output-slave-input data pin of SPI bus (OIS interface)/ data pin of I2C bus (AUX interface e.g. BMM150)
9	PROM_RW	Connect to EEPROM

Headquarters
Bosch Sensortec GmbH

Gerhard-Kindler-Strasse 9
72770 Reutlingen · Germany
Telephone +49 7121 3535 900
Fax +49 7121 3535 909

www.bosch-sensortec.com