

FEMALE PLUG M8 STRAIGHT TO MALE PLUG M8 STRAIGHT



NOTES:

RATED VOLTAGE: 3 contacts 60V AC/DC

4 and 5 contacts 30V AC/DC

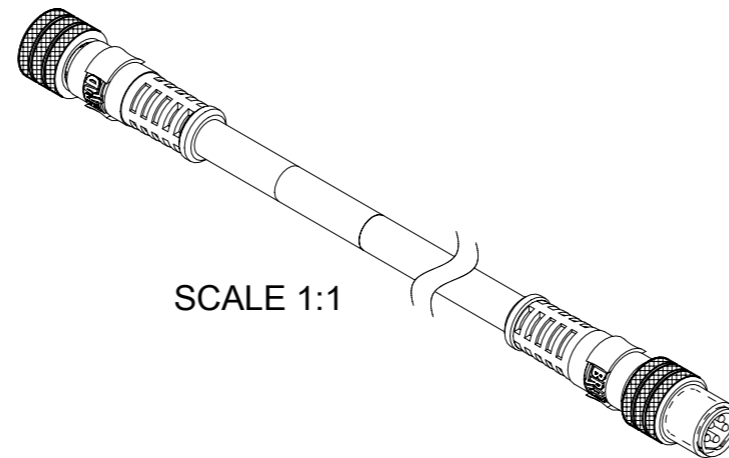
CURRENT RATING: 3, 4, 5 contacts 3A

PROTECTION CLASS: IP 67 in mated and locked position.

TEMPERATURE: SEE CABLE INFORMATION

INSULATION RESISTANCE: 10⁸ Ω MIN.

MATING CYCLES: MIN. 100



SCALE 1:1

CONTACTS POSITION FRONT VIEW:

| | 3 CONTACTS | | 4 CONTACTS | | 5 CONTACTS | |
|-------------|------------|-------|------------|-------|------------|-------|
| FEMALE | | | | | | |
| MALE | | | | | | |
| CONNECTIONS | PIN | WIRE | PIN | WIRE | PIN | WIRE |
| | 1 | BROWN | 1 | BROWN | 1 | BROWN |
| | 3 | BLUE | 2 | WHITE | 2 | WHITE |
| | 4 | BLACK | 3 | BLUE | 3 | BLUE |
| | | | 4 | BLACK | 4 | BLACK |
| | | | | 5 | GREY | |

CODING ACCORDING TO IEC 61076-2-104

FOR OPTIONS SEE - NUMERICAL CODE - ON SHEET 2

| ITEM | QTY. | DESCRIPTION | MATERIAL | FINISH |
|------|-----------|-------------------------|-------------|----------------------|
| 11 | 1 | INSERT MALE BLACK | TPU | --- |
| 10 | 3 / 4 / 5 | CONTACT M8 MALE | BRASS | SELECTIVE Au OVER Ni |
| 9 | 1 | SLEEVE | BRASS | NICKEL |
| 8 | 1 | COUPLING NUT M8 MALE | BRASS | NICKEL |
| 7 | 1 | LABEL YELLOW | VINYL | --- |
| | - | PRINTING FOR CABLES lxx | --- | --- |
| 6 | - | CABLE | SEE SHEET 2 | --- |
| 5 | - | OVERMOULDING BLACK | TPU | --- |
| 4 | 1 | COUPLING NUT M8 FEMALE | BRASS | NICKEL |
| 3 | 1 | INSERT FEMALE BLACK | TPU | --- |
| 2 | 1 | O-RING RED | FKM | --- |
| 1 | 3 / 4 / 5 | CONTACT M8 FEMALE | BRASS | SELECTIVE Au OVER Ni |
| ITEM | QTY. | DESCRIPTION | MATERIAL | FINISH |

| | | | | | | | | | |
|---|---|---------------------------------------|---|-----------------|----------------|-----------------|------------|----------|--------------|
| FUNCTIONAL SYMBOLS ▽/A = 0 ▽/E = 0 ▽/V = 0 | THIS DRAWING CONTAINS INFORMATION THAT IS PROPRIETARY TO MOLEX ELECTRONIC TECHNOLOGIES, LLC AND SHOULD NOT BE USED WITHOUT WRITTEN PERMISSION | SCALE 2:1 | CSE M8 M8 XP AC BC FE STR MA STR XM PRODUCT CUSTOMER DRAWING | | | | | | |
| | DIMENSION UNITS mm | GENERAL TOLERANCES (UNLESS SPECIFIED) | | | | EC NO: 727617 | 2022/11/08 | | |
| | ANGULAR TOL ± 1.0° | 4 PLACES ± | | | | DRWN: RSILLER | 2022/11/09 | | |
| | DIVISIONAL SYMBOLS | 3 PLACES ± | | | | CHK'D: THAERDT | 2022/11/09 | | |
| | 2 PLACES ± 0.05 | APPR: THAERDT | 2022/11/09 | | | | | | |
| | 1 PLACE ± 0.3 | INITIAL REVISION: | | | | | | | |
| | 0 PLACES ± 0.5 | DRWN: JMARSZALEK | 2016/09/15 | | | | | | |
| | DRAFT WHERE APPLICABLE MUST REMAIN WITHIN DIMENSIONS | APPR: RSILLER | 2017/01/11 | | | | | | |
| | THIRD ANGLE PROJECTION | DRAWING | SERIES | MATERIAL NUMBER | CUSTOMER | DOCUMENT NUMBER | DOC TYPE | DOC PART | REVISION |
| | | A3-SIZE | 120087 | SEE PART LIST | GENERAL MARKET | 1200878240 | PSD | 000 | A16 |
| | | | | | | | | | SHEET NUMBER |
| | | | | | | | | | 1 OF 4 |

ENGINEERING NO. - NUMERICAL CODE (Available parts see PART LIST table. Other parts available upon request).

OPTIONS

4 4 X 0 3 0 X X X X X X X X

44=Nano-Change
M8x1
Double ended

Contacts:
3=3 Contacts
4=4 Contacts
5=5 Contacts

Heads style:
030=Plug Female Straight
to Plug Male Straight

Cable type: See Table

Units:
M=Meter
C=Centimeter

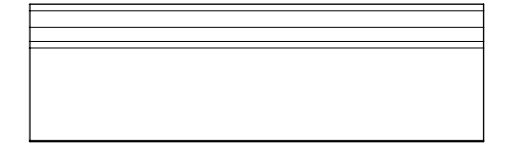
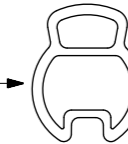
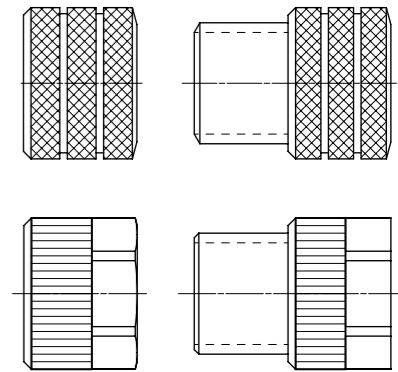
Length
Examples:
005=0.5 unit
010=1 unit
100=10 unit

Overmold color:
Blank (Standard)=Black
A=Grey / G=Black / Y=Yellow

Coupling Nut:
Blank (Standard)=Knurled Brass Ni Plated
9=Knurled / Hexagonal SW9 Brass Ni Plated

H= 2 pcs. of I/D Carrier PVC Transparent
(Cables lxx & P82 always with 2 pcs. of
I/D Carrier)

COUPLING NUT
FEMALE MALE



CABLE INFORMATION (for more information see Cable Data Sheet).

| CABLE TYPE | NO. OF WIRES | CROSS SECTION | CABLE JACKET | UL | CSA | STATIC: TEMP. / BENDING RADIUS | DYNAMIC: TEMP. / BENDING RADIUS | DRAG CHAIN | SHIELD |
|------------|--------------|----------------------|-----------------|----------------|--------------------------|--------------------------------|---------------------------------|---|--------|
| E02 | 3 / 4 / 5 | 0.25 mm ² | PVC BLACK | UL 2464/1729 | C22.2 I/II A/B 80°C/300V | -30°C to +80°C, >10xO.D. | -10°C to +80°C, >15xO.D. | - | - |
| H08 | 3 / 4 / 5 | 0.25 mm ² | PUR BLACK LS0H | UL 21198/10493 | C22.2 I/II A/B 80°C/300V | -40°C to +80°C, >5xO.D. | -25°C to +80°C, >10xO.D. | 2 000 000 cycles at 20°C, Temp. range +5°C to +60°C | - |
| I02 | 3 / 4 | 0.25 mm ² | PVC CEI GREY | - | - | -30°C to +70°C | -5°C to +70°C | - | - |
| P02 | 3 / 4 / 5 | 0.25 mm ² | PUR / PVC BLACK | - | - | -30°C to +80°C, >7xO.D. | -5°C to +80°C, >15xO.D. | - | - |
| P82 | 3 | 0.34 mm ² | PUR IRR ORANGE | - | - | -50°C to +105°C, >5xO.D. | -40°C to +105°C, >7.5xO.D. | - | - |
| H70 | 5 | 0.25 mm ² | PUR BLACK | - | - | -40°C to +80°C, >5xO.D. | -25°C to +80°C, >10xO.D. | 2 000 000 cycles at 20°C, Temp. range +5°C to +60°C | - |

CABLE LENGTH TOLERANCES

| OVER | UP TO AND INCLUDING | TOLERANCES |
|---------|---------------------|------------------------|
| 0 | 305mm | +19mm |
| 305mm | 915mm | +45mm |
| 915mm | 1830mm | +56mm |
| 1830mm | 3660mm | +89mm |
| 3660mm | 7320mm | +165mm |
| 7320mm | 14640mm | +317mm |
| 14640mm | 30500mm | +610mm |
| 30500mm | > | +2% of finished length |

| | | | | | |
|--------------------|---|---|-----------------------------------|--------------------------|----------------------------|
| FUNCTIONAL SYMBOLS | THIS DRAWING CONTAINS INFORMATION THAT IS PROPRIETARY TO MOLEX ELECTRONIC TECHNOLOGIES, LLC AND SHOULD NOT BE USED WITHOUT WRITTEN PERMISSION | | CURRENT REV DESC: CORRECTION TYPO | | molex |
| | FUNCTIONAL SYMBOLS | THIS DRAWING CONTAINS INFORMATION THAT IS PROPRIETARY TO MOLEX ELECTRONIC TECHNOLOGIES, LLC AND SHOULD NOT BE USED WITHOUT WRITTEN PERMISSION | CURRENT REV DESC: CORRECTION TYPO | | |
| FUNCTIONAL SYMBOLS | THIS DRAWING CONTAINS INFORMATION THAT IS PROPRIETARY TO MOLEX ELECTRONIC TECHNOLOGIES, LLC AND SHOULD NOT BE USED WITHOUT WRITTEN PERMISSION | CURRENT REV DESC: CORRECTION TYPO | | PRODUCT CUSTOMER DRAWING | |
| FUNCTIONAL SYMBOLS | THIS DRAWING CONTAINS INFORMATION THAT IS PROPRIETARY TO MOLEX ELECTRONIC TECHNOLOGIES, LLC AND SHOULD NOT BE USED WITHOUT WRITTEN PERMISSION | CURRENT REV DESC: CORRECTION TYPO | | DOCUMENT NUMBER | DOC TYPE DOC PART REVISION |
| FUNCTIONAL SYMBOLS | THIS DRAWING CONTAINS INFORMATION THAT IS PROPRIETARY TO MOLEX ELECTRONIC TECHNOLOGIES, LLC AND SHOULD NOT BE USED WITHOUT WRITTEN PERMISSION | CURRENT REV DESC: CORRECTION TYPO | | 1200878240 | PSD 000 A16 |
| FUNCTIONAL SYMBOLS | THIS DRAWING CONTAINS INFORMATION THAT IS PROPRIETARY TO MOLEX ELECTRONIC TECHNOLOGIES, LLC AND SHOULD NOT BE USED WITHOUT WRITTEN PERMISSION | CURRENT REV DESC: CORRECTION TYPO | | MATERIAL NUMBER | CUSTOMER |
| FUNCTIONAL SYMBOLS | THIS DRAWING CONTAINS INFORMATION THAT IS PROPRIETARY TO MOLEX ELECTRONIC TECHNOLOGIES, LLC AND SHOULD NOT BE USED WITHOUT WRITTEN PERMISSION | CURRENT REV DESC: CORRECTION TYPO | | SEE PART LIST | GENERAL MARKET |
| FUNCTIONAL SYMBOLS | THIS DRAWING CONTAINS INFORMATION THAT IS PROPRIETARY TO MOLEX ELECTRONIC TECHNOLOGIES, LLC AND SHOULD NOT BE USED WITHOUT WRITTEN PERMISSION | CURRENT REV DESC: CORRECTION TYPO | | SHEET NUMBER | |
| FUNCTIONAL SYMBOLS | THIS DRAWING CONTAINS INFORMATION THAT IS PROPRIETARY TO MOLEX ELECTRONIC TECHNOLOGIES, LLC AND SHOULD NOT BE USED WITHOUT WRITTEN PERMISSION | CURRENT REV DESC: CORRECTION TYPO | | 2 OF 4 | |

PART LIST

| No. | Molex PN | Engineering No. | Cable Length |
|-----|------------|-----------------|--------------|
| 1 | 1200271413 | 445030H08M010 | 1m |
| 2 | 1200280321 | 443030E02M020 | 2m |
| 3 | 1200280343 | 443030E02M030 | 3m |
| 4 | 1200280384 | 443030I02M006 | 0.6m |
| 5 | 1200280427 | 443030I02M010 | 1m |
| 6 | 1200280462 | 443030E02M050 | 5m |
| 7 | 1200280464 | 443030E02M040 | 4m |
| 8 | 1200281222 | 443030P82M003 | 0.3m |
| 9 | 1200281282 | 443030E02M025 | 2.5m |
| 10 | 1200281284 | 444030E02M015 | 1.5m |
| 11 | 1200281309 | 445030P02M010 | 1m |
| 12 | 1200281310 | 445030P02M050 | 5m |
| 13 | 1200870687 | 445030P02M006 | 0.6m |
| 14 | 1200870688 | 445030P02M030 | 3m |
| 15 | 1200875035 | 443030E02M006 | 0.6m |
| 16 | 1200878025 | 443030P82M006 | 0.6m |
| 17 | 1200878035 | 445030P02M020 | 2m |
| 18 | 1200878036 | 445030P02M040 | 4m |
| 19 | 1200878037 | 445030P02M100 | 10m |
| 20 | 1200878124 | 444030H08M003 | 0.3m |
| 21 | 1200878126 | 443030H08M030 | 3m |
| 22 | 1200878127 | 443030H08M050 | 5m |
| 23 | 1200878139 | 445030P02M250 | 25m |
| 24 | 1200878140 | 443030P02M010 | 1m |
| 25 | 1200878141 | 443030P02M006 | 0.6m |
| 26 | 1200878149 | 443030H08M020 | 2m |
| 27 | 1200878161 | 444030E02M200 | 20m |
| 28 | 1200878166 | 443030H08M040 | 4m |
| 29 | 1200878233 | 443030P02M050 | 5m |
| 30 | 1200878234 | 443030P02M100 | 10m |
| 31 | 1200878239 | 445030E02M006 | 0.6m |
| 32 | 1200878240 | 445030E02M020 | 2m |
| 33 | 1200878241 | 445030E02M050 | 5m |
| 34 | 1200878258 | 443030E02M010 | 1m |
| 35 | 1200878272 | 443030E02M002G | 0.2m |


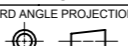
| No. | Molex PN | Engineering No. | Cable Length |
|-----|------------|-----------------|--------------|
| 36 | 1200878273 | 443030E02M003 | 0.3m |
| 37 | 1200878274 | 443030E02M015 | 1.5m |
| 38 | 1200878275 | 443030E02M025H | 2.5m |
| 39 | 1200878276 | 443030E02M050H | 5m |
| 40 | 1200878277 | 443030E02M060 | 6m |
| 41 | 1200878278 | 443030E02M100 | 10m |
| 42 | 1200878279 | 443030E02M150 | 15m |
| 43 | 1200878280 | 443030E02M010G | 1m |
| 44 | 1200878281 | 443030E02M012G | 1.2m |
| 45 | 1200878282 | 443030I02M003 | 0.3m |
| 46 | 1200878283 | 443030I02M015 | 1.5m |
| 47 | 1200878284 | 443030I02M020 | 2m |
| 48 | 1200878285 | 443030I02M030 | 3m |
| 49 | 1200878286 | 443030I02M040 | 4m |
| 50 | 1200878287 | 443030I02M050 | 5m |
| 51 | 1200878288 | 443030I02M060 | 6m |
| 52 | 1200878289 | 443030I02M070 | 7m |
| 53 | 1200878290 | 443030I02M100 | 10m |
| 54 | 1200878291 | 443030I02M150 | 15m |
| 55 | 1200878292 | 443030P02M003 | 0.3m |
| 56 | 1200878293 | 443030P02M015 | 1.5m |
| 57 | 1200878294 | 443030P02M020 | 2m |
| 58 | 1200878295 | 443030P02M025 | 2.5m |
| 59 | 1200878296 | 443030P02M030 | 3m |
| 60 | 1200878297 | 443030P02M030G | 3m |
| 61 | 1200878298 | 443030P02M035 | 3.5m |
| 62 | 1200878299 | 443030P02M040 | 4m |
| 63 | 1200878300 | 443030P02M060 | 6m |
| 64 | 1200878301 | 443030P02M070 | 7m |
| 65 | 1200878302 | 443030P02M150 | 15m |
| 66 | 1200878346 | 444030E02M003 | 0.3m |
| 67 | 1200878347 | 444030E02M005 | 0.5m |
| 68 | 1200878348 | 444030E02M006 | 0.6m |
| 69 | 1200878349 | 444030E02M010 | 1m |
| 70 | 1200878350 | 444030E02M020 | 2m |

| No. | Molex PN | Engineering No. | Cable Length |
|-----|------------|-----------------|--------------|
| 71 | 1200878351 | 444030E02M025 | 2.5m |
| 72 | 1200878352 | 444030E02M030 | 3m |
| 73 | 1200878353 | 444030E02M040 | 4m |
| 74 | 1200878354 | 444030E02M050 | 5m |
| 75 | 1200878355 | 444030E02M100 | 10m |
| 76 | 1200878356 | 444030H08M020 | 2m |
| 77 | 1200878357 | 444030P02M003 | 0.3m |
| 78 | 1200878358 | 444030P02M006 | 0.6m |
| 79 | 1200878359 | 444030P02M010 | 1m |
| 80 | 1200878360 | 444030P02M020 | 2m |
| 81 | 1200878361 | 444030P02M030 | 3m |
| 82 | 1200878362 | 444030P02M050 | 5m |
| 83 | 1200878494 | 443030E02M070 | 7m |
| 84 | 1200878495 | 444030H08M010 | 1m |
| 85 | 1200878500 | 443030H08M010 | 1m |
| 86 | 1200878509 | 444030H08M050 | 5m |
| 87 | 1200878535 | 443030E02M020Y | 2m |
| 88 | 1200878536 | 443030E02M050Y | 5m |
| 89 | 1200878537 | 443030E02M040Y | 4m |
| 90 | 1200878538 | 443030E02M006Y | 0.6m |
| 91 | 1200878539 | 443030H08M050Y | 5m |
| 92 | 1200878540 | 443030H08M020Y | 2m |
| 93 | 1200878541 | 443030E02M010Y | 1m |
| 94 | 1200878558 | 443030H08M006 | 0.6m |
| 95 | 1200878559 | 444030H08M006 | 0.6m |
| 96 | 1200878574 | 444030E02M003H | 0.3m |
| 97 | 1200878575 | 444030E02M030H | 3m |
| 98 | 1200878576 | 443030E02M003H | 0.3m |
| 99 | 1200878577 | 444030E02M006H | 0.6m |
| 100 | 1200878596 | 443030P02M010H | 1m |
| 101 | 1200878626 | 443030H08M080 | 8m |
| 102 | 1200878627 | 445030H08M040 | 4m |
| 103 | 1200878635 | 443030E02M080 | 8m |
| 104 | 1200878636 | 443030H08M055 | 5.5m |
| 105 | 1200878642 | 443030E02M006H | 0.6m |

| No. | Molex PN | Engineering No. | Cable Length |
|-----|------------|-----------------|--------------|
| 106 | 1200878643 | 443030E02M010H | 1m |
| 107 | 1200878644 | 443030E02M020H | 2m |
| 108 | 1200878645 | 443030E02M030H | 3m |
| 109 | 1200878655 | 443030E02M040H | 4m |
| 110 | 1200878658 | 444030E02M250 | 25m |
| 111 | 1200878661 | 444030E02M015H | 1.5m |
| 112 | 1200878663 | 443030E02M060H | 6m |
| 113 | 1200878665 | 444030E02M005H | 0.5m |
| 114 | 1200878666 | 444030E02M025H | 2.5m |
| 115 | 1200878671 | 443030E02M080H | 8m |
| 116 | 1200878689 | 443030E02M015H | 1.5m |
| 117 | 1200878692 | 444030E02M010H | 1m |
| 118 | 1200878693 | 444030E02M020H | 2m |
| 119 | 1200878699 | 443030H08M055H | 5.5m |
| 120 | 1200878808 | 443030H08M065H | 6.5m |
| 121 | 1200878809 | 443030E02M0039H | 0.3m |
| 122 | 1200878810 | 444030E02M0069H | 0.6m |
| 123 | 1200878811 | 444030E02M0309H | 3m |
| 124 | 1200878812 | 444030P02M100 | 10m |
| 125 | 1200878828 | 444030E02M0109H | 1m |
| 126 | 1200878834 | 443030E02M1009H | 10m |
| 127 | 1200878843 | 444030H08M100 | 10m |
| 128 | 1200878844 | 444030H08M250 | 25m |
| 129 | 1200878847 | 445030H08M006 | 0.6m |
| 130 | 1200878850 | 443030E02M0159H | 1.5m |
| 131 | 1200878923 | 443030E02M1509H | 15m |
| 132 | 1200878941 | 444030H08M030 | 3m |
| 133 | 1200878946 | 445030H08M020 | 2m |
| 134 | 1200878947 | 445030H08M050 | 5m |
| 135 | 1200878950 | 445030E02M010 | 1m |
| 136 | 1200878951 | 444030H08C350 | 0.35m |
| 137 | 1200878952 | 444030H08C750 | 0.75m |
| 138 | 1200878978 | 443030H08M100 | 10m |
| 139 | 1200888155 | 445030H70M020 | 2m |
| 140 | 1200878982 | 443030H08M003H | 0.3m |

| No. | Molex PN | Engineering No. | Cable Length |
|-----|------------|-----------------|--------------|
| 141 | 1200878983 | 443030H08M015H | 1.5m |
| 142 | 1200878984 | 443030H08M045H | 4.5m |
| 143 | 1200878985 | 443030H08M065 | 6.5m |
| 144 | 1200878986 | 443030H08M075H | 7.5m |
| 145 | 1200878987 | 444030H08M015H | 1.5m |
| 146 | 1200878988 | 444030H08M025H | 2.5m |
| 147 | 1200878998 | 443030H08M030H | 3m |
| 148 | 1200878999 | 443030H08M050H | 5m |
| 149 | 1200879001 | 443030H08M040H | 4m |
| 150 | 1200878997 | 444030H08M003H | 0.3m |

| No. | Molex PN | Engineering No. | Cable Length |
|-----|------------|-----------------|--------------|
| 151 | 1200879003 | 444030H08M020H | 2m |
| 152 | 1200879004 | 444030H08M010H | 1m |
| 153 | 1200879007 | 444030H08M006H | 0.6m |
| 154 | 1200879010 | 444030H08M030H | 3m |
| 155 | 1200879035 | 443030H08M006H | 0.6m |
| 156 | 1200879036 | 443030H08M010H | 1m |
| 157 | 1200879037 | 443030H08M025H | 2.5m |
| 158 | 1200879050 | 443030H08M080H | 8m |
| 159 | 1200879052 | 444030H08M035H | 3.5m |
| 160 | 1200879053 | 444030H08M040H | 4m |
| 161 | 1200879054 | 444030H08M050H | 5m |

| | | | | |
|--|---|--|-------------------|---|
| FUNCTIONAL SYMBOLS | THIS DRAWING CONTAINS INFORMATION THAT IS PROPRIETARY TO MOLEX ELECTRONIC TECHNOLOGIES, LLC AND SHOULD NOT BE USED WITHOUT WRITTEN PERMISSION | CURRENT REV DESC: CORRECTION TYPO | |  |
| | DIMENSION UNITS: mm SCALE: 2:1 GENERAL TOLERANCES (UNLESS SPECIFIED): ANGULAR TOL ± 1.0° 4 PLACES ± 3 PLACES ± 2 PLACES ± 0.05 1 PLACE ± 0.3 0 PLACES ± 0.5 | EC NO: 727617 DRWN: RSILLER 2022/11/08 CHK'D: THAERDT 2022/11/09 APPR: THAERDT 2022/11/09 | | |
| DIVISIONAL SYMBOLS | INITIAL REVISION: | | DOCUMENT NUMBER | DOC TYPE |
| | DRWN: JMARSZALEK 2016/09/15 APPR: RSILLER 2017/01/11 | | 1200878240 | PSD |
| DRAFT WHERE APPLICABLE MUST REMAIN WITHIN DIMENSIONS | | THIRD ANGLE PROJECTION | DRAWING | SHEET NUMBER |
| | |  | A3-SIZE | 3 OF 4 |
| | | SERIES | MATERIAL NUMBER | CUSTOMER |
| | | 120087 | SEE PART LIST | GENERAL MARKET |

