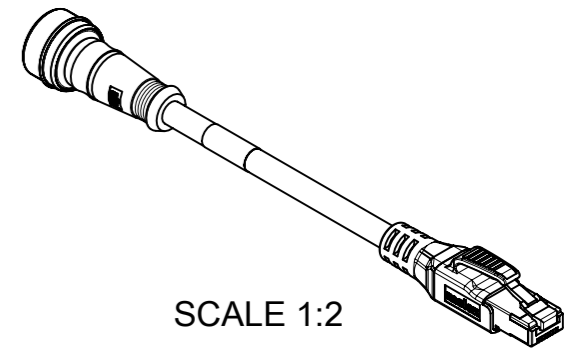


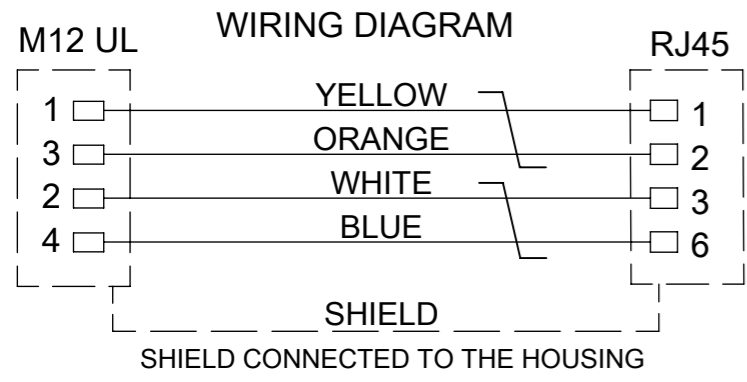
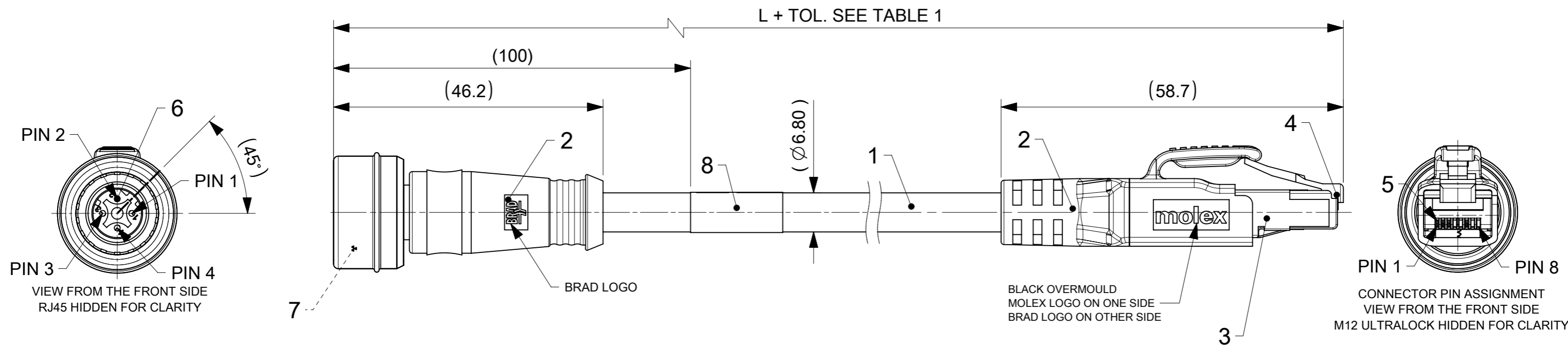
PART No. MATRIX

E W 6 A 0 6 0 1 2 M X X X X

E=ETHERNET
 HEADS: 1 = M12 Ultra lock D-Coding 6 = RJ45
 HEADS STYLE: 060 = MALE STR / MALE STR
 WIRING TYPE: A=4 Pole (STRAIGHT WIRED)
 CABLE TYPE: CABLE 12
 UNITS: M= METER T=10x METER
 LENGTH EXAMPLES: 005=0.5 m 010=1 m 150=15 m T100=100 m
 H= 2 PCS. OF I/D Carrier



SCALE 1:2



TECHNICAL DATA :
 M12 Ultralock D-Coded to RJ45 CAT5e Cordset
 AWG22 straight green inline 360° shielded.
 Poles : 4
 Max. Voltage : 30V A.C. or 42V D.C.
 Max. Current : 1.5A
 Contact resistance : ≤10 mΩ
 Insulation Withstand : >100MΩ
 Protection M12 Ultralock / RJ45 : IP69K / IP20
 Temperature range : -25°C to 85°C

Transmission characteristics
 ACCORDING TO ISO 11801 CATEGORY 5e
 PATCH CORD PROFINET TYPE C
Packaging :
 The cordsets are packed in a polybag.

BOM

ITEM	QTY	DESCRIPTION	MMATERIAL	FINISH/COLOR
8	1	LABEL	VINYL	YELLOW
7	1	ULTRALOCK ASSEMBLY	-	-
6	4	CONTACT 10 MALE	COPPER	GOLD OVER NICKEL
5	4	RJ45 CONTACT	PB	SELECTIVE GOLD
4	1	RJ45 PLUG TRANSPARENT	PC	-
3	1	RJ45 PLUG SHIELD	BRASS	TIN
2	-	MOULDING MATERIAL	TPU	BLACK
1	-	CABLE ProfINET 2x2x#22 WSOR GN SH	TPU	GREEN

TABLE 1

MOLEX PN	ENGINEERING NO	L (m)
1201080679	EW6A06012M020	2
1201080680	EW6A06012M050	5
1201080681	EW6A06012M100	10

DOCUMENT STATUS: P1 | RELEASE DATE: 2022/04/14 | 13:32:12

TABLE OF LENGHT TOLERANCES (mm)

OVER	UP TO AND INCLUDING	TOLERANCE
0	305	+19
305	915	+45
915	1830	+56
1830	3660	+89
3660	7320	+165
7320	14640	+317
14640	30500	+610
30500	>	+2% OF LENGTH

THIS DRAWING CONTAINS INFORMATION THAT IS PROPRIETARY TO MOLEX ELECTRONIC TECHNOLOGIES, LLC AND SHOULD NOT BE USED WITHOUT WRITTEN PERMISSION

FUNCTIONAL SYMBOLS: $\sqrt{A} = 0$, $\sqrt{E} = 0$, $\sqrt{V} = 0$

DIVISIONAL SYMBOLS

THIS DRAWING DIMENSION UNITS: mm | SCALE: 3:2

GENERAL TOLERANCES (UNLESS SPECIFIED): ANGULAR TOL ± °

4 PLACES ±, 3 PLACES ±, 2 PLACES ±, 1 PLACE ±, 0 PLACES ±

DRAFT WHERE APPLICABLE MUST REMAIN WITHIN DIMENSIONS

THIRD ANGLE PROJECTION

DRAWING: A3-SIZE | SERIES: 120108 | MATERIAL NUMBER: SEE TABLE 1 | CUSTOMER: GENERAL MARKET | SHEET NUMBER: 1 OF 1

EC NO: 703182 | DRWN: SSM | 2021/10/20 | CHK'D: RSILLER | 2022/04/14 | APPR: RSILLER | 2022/04/14

INITIAL REVISION: DRWN: MZIELINSKI | 2018/04/26 | APPR: BWOODMAN | 2018/05/10

molex

CSE U12 ETH 4P DC MA STR WSOR RJ45 XM DE SHLD D6.8 GN

PRODUCT CUSTOMER DRAWING

DOCUMENT NUMBER: 1201080679 | DOC TYPE: PSD | DOC PART: 000 | REVISION: C2