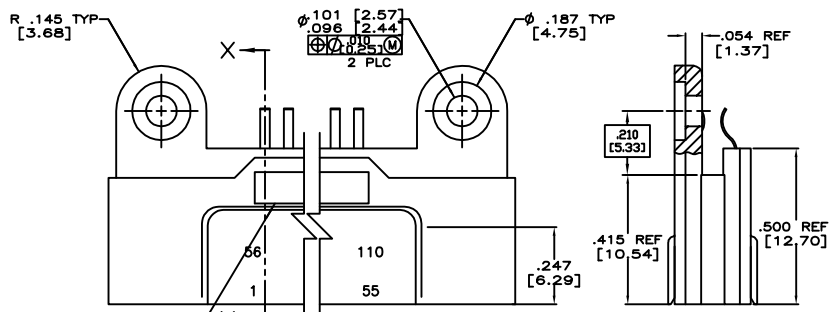
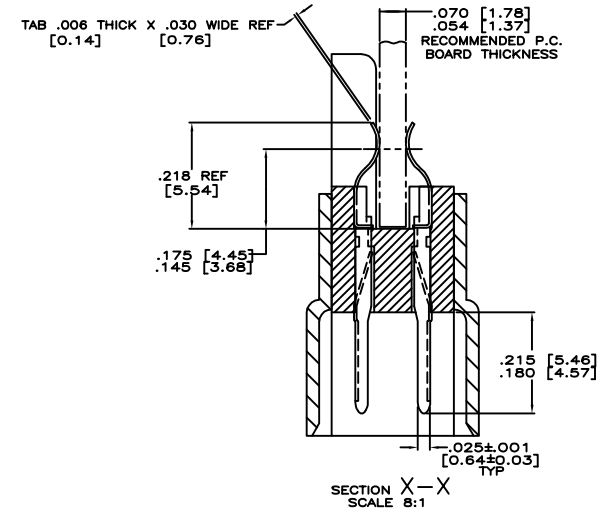
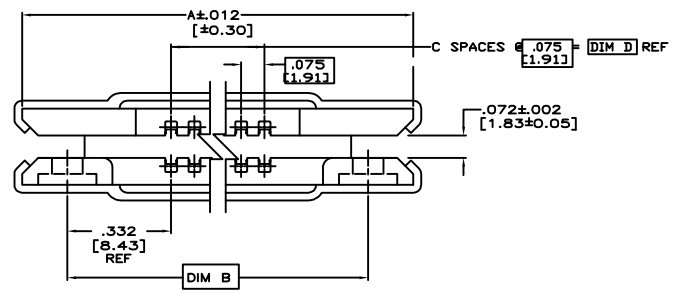
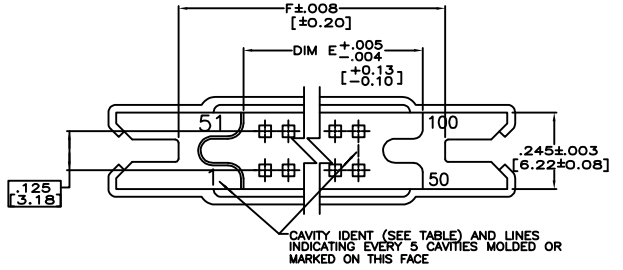


THIS DRAWING IS UNCONTROLLED UNLESS FOR POLARIZATION ALL DIMENSIONS MUST BE TO THIS DRAWING

REVISIONS			
REV	DATE	BY	APP
E	REV PER ECD 18-004884	4-11-18	CT RL



TE, DATE CODE & TE PART NO. AND CUSTOMER PART NO. (IF NEEDED) MARKED IN THIS AREA



△ .000030 [0.00076] GOLD IN THE CONTACT AREA .000100 [0.00254] TIN-LEAD ON THE TAILS OVER .000050 [0.00127] NICKEL ON THE ENTIRE CONTACT
 △ MUST MEET ALL APPLICABLE REQUIREMENTS OF M55302/23-19.

△ 11451093-1	21 - 1	1.980 [50.29]	1.700 [43.18]	1.425 [36.19]	19	2.090 [53.08]	2.380 [58.42]	40	1218362-6
-	41 - 1	3.480 [88.39]	3.200 [81.28]	2.925 [74.29]	39	3.590 [91.86]	3.880 [98.55]	80	1218362-5
-	76 - 1	6.105 [155.07]	5.925 [149.96]	5.550 [140.97]	74	6.215 [157.86]	6.505 [165.23]	150	1218362-3
-	51 - 1	4.230 [107.44]	3.950 [100.33]	3.675 [93.35]	49	4.340 [110.24]	4.630 [117.60]	100	1218362-2
89954-356A7503P1	56 - 1	4.605 [116.97]	4.325 [109.86]	4.050 [102.87]	54	4.715 [119.76]	5.005 [127.13]	110	1218362-1
CUSTOMER PART NUMBER	CAVITY IDENT	F	E	D	C	B	A	NUMBER OF POSITIONS	PART NUMBER

THIS DRAWING IS A CONTROLLED DOCUMENT. DISSEMINATION AND DISTRIBUTION FOR: P.C. THOMAS 11-11-18, R. GILBERT 11-18-18, R. GILBERT 11-18-18

APPLICATOR SPEC: 0.000000 A1 00779 C-1218362

CUSTOMER DRAWING

TE Connectivity
 PIN HEADER ASSY, 075C/L
 BOX WITH MACHINED SLOTS

SCALE: 5:1 SHEET: 1 of 1