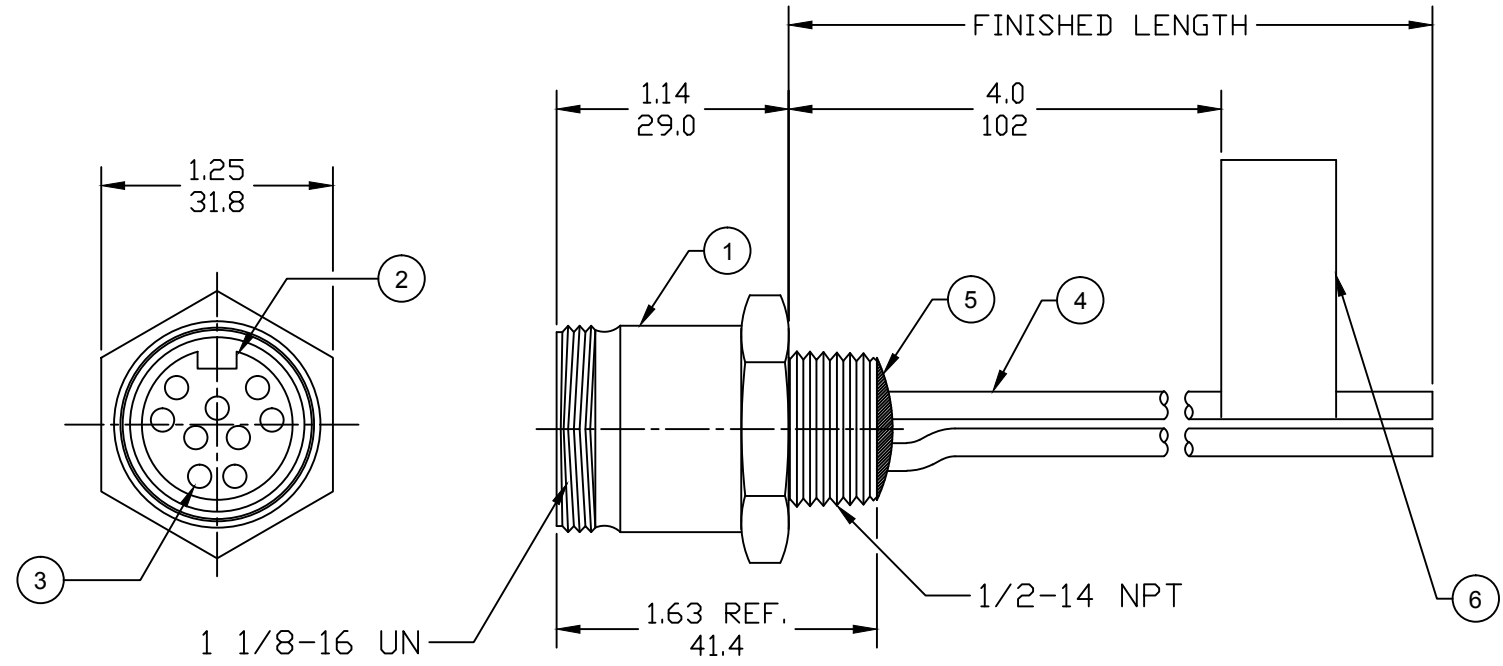
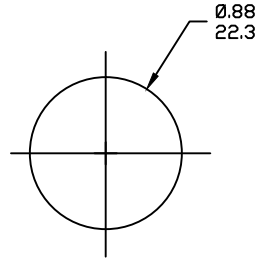


FACE VIEW-MALE INSERT		
1 ORANGE 2 BLUE 3 RED/BLACK 4 GREEN/BLACK 5 WHITE 6 RED 7 GREEN/YELLOW 8 WHITE/BLACK 9 BLACK	1 ORANGE 2 BLUE 3 WHITE/BLACK 4 RED/BLACK 5 GREEN/BLACK 6 ORANGE/BLACK 7 RED 8 GREEN/YELLOW 9 BLACK 10 WHITE	1 ORANGE 2 BLUE 3 WHITE/BLACK 4 RED/BLACK 5 GREEN/BLACK 6 ORANGE/BLACK 7 BLUE/BLACK 8 BLACK/WHITE 9 GREEN/YELLOW 10 RED 11 WHITE 12 BLACK



(A1) CHART

PART NO.	ENGINEERING NO.	FINISHED LENGTH
1300150137	3R9006A20A120	12IN
1300150046	3R1006A20F020	2.0FT
1300150086	3R2006A20M005	0.5M



(A1) REF. KNOCKOUT HOLE

PART NUMBER LEGEND

3R1006A20F0101

- COUPLING: BLANK= STD (SEE BDM)
- 1= 303 STAINLESS ST.
- LENGTH:
 - A120= 12 INCHES
 - F001= .1 FT
 - F020= 2 FT
 - F200= 20 FT
- M005= 0.5 METER
- M010= 1 METER
- M100= 10 METER

POLES

- 9= 9 POLES
- 1=10 POLES
- 2=12 POLES

(A1) CABLE LENGTH TOLERANCES

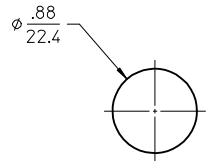
>.3M [1FT]:	+19mm-0 [+1.75in-0]
.3 - .9M [1 - 3FT]:	+44.5mm-0 [+1.75in-0]
.9 - 1.8M [3 - 6FT]:	+55.6mm-0 [+2.19in-0]
1.8 - 3.7M [6 - 12FT]:	+88.9mm-0 [+3.50in-0]
3.7 - 7.3M [12 - 24FT]:	+165.1mm-0 [+6.50in-0]
7.3-14.6M [24 - 48FT]:	+317.5mm-0 [+12.50in-0]
14.6 - 30.5M [48-100FT]:	+622.3mm-0 [+24.50in-0]
OVER 30M [100FT]	+2% OF FINISHED LENGTH

- NOTES:**
- MATERIAL: AS NOTED
 - FINISH: AS NOTED
 - ELECTRICAL:
 - (A1) VOLTAGE: 320V PER IEC60664
 - 600V PER UL2238
 - CURRENT: 9 POLE: 7A
 - 10 POLE: 7A
 - 12 POLE: 5A
 - TEMP RATING: -20°TO +105°C
 - PROTECTION: IP67 (WHEN MATED)
 - (A1) UL RECOGNIZED, FILE: E152210
 - DIMS ARE FOR REFERENCE UNLESS OTHERWISE NOTED

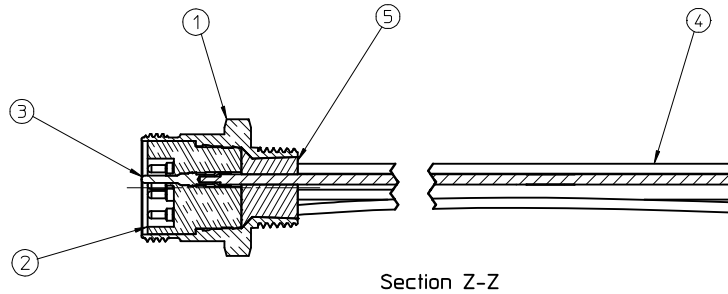
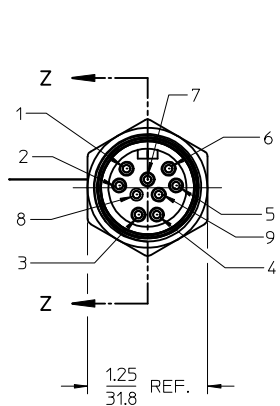
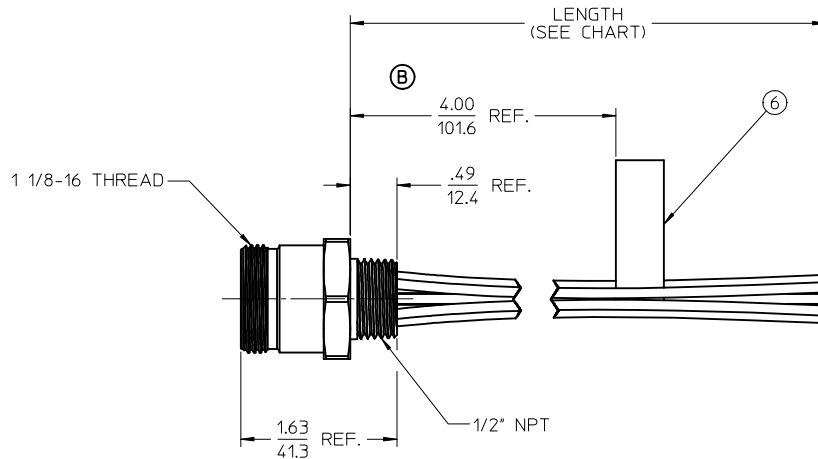
ITEM	DESCRIPTION	MATERIAL	FINISH
6	FLAG LABEL	VINYL	BLACK/YELLOW
5	POTTING MATERIAL	EPOXY	
4	WIRE, 16 AWG UL (1015)	PVC INSULATION	SEE CHART
3	CONTACT PIN	COPPER ALLOY	GOLD PLATED
2	MALE INSERT (C-SIZE)	PVC	YELLOW
1	RECEPTACLE SHELL	ZINC DIE-CAST	BLACK

REV'D IEC VOLTS, ADD UL FILE, CHART & TOLS EC NO: IPG2017-1018 DRWN: RSTONE 5/11/17 CHK'D: M ZIELIN 2017/05/08 APPR: BWOODMAN 2017/02/02	DESCRIPTION REV	QUALITY SYMBOLS ▽=0 ◻=0	GENERAL TOLERANCES (UNLESS SPECIFIED) mm INCH 4 PLACES ±--- ±--- 3 PLACES ±--- ±--- 2 PLACES ±--- ±--- 1 PLACE ±--- ±--- ANGULAR ±---°	DIMENSION STYLE IN/MM	SCALE --- DESIGN UNITS INCH	THIRD ANGLE PROJECTION
		DRAWN BY DATE RSTONE 2016/12/08	CHECKED BY DATE M ZIELIN 2017/05/08	TITLE MINI-CHANGE RECEPTACLE 9, 10, & 12P MALE 16 AWG		
		APPROVED BY DATE BWOODMAN 2017/02/02	MATERIAL NO. --- DOCUMENT NO. SD-130015-027	SHEET NO. 1 OF 1		
		DRAFT WHERE APPLICABLE MUST REMAIN WITHIN DIMENSIONS			SIZE B THIS DRAWING CONTAINS INFORMATION THAT IS PROPRIETARY TO MOLEX INCORPORATED AND SHOULD NOT BE USED WITHOUT WRITTEN PERMISSION	

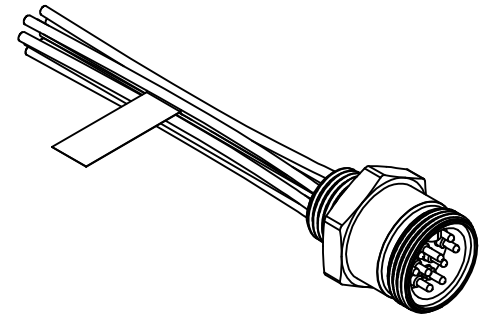
MATERIAL NO.	ENGINEERING NO.	LENGTH
1300150137	3R9006A20A120	12' +.75-0 [305mm +19.0-0]
1300150140	3R9006A20F030	3'0" +1.75-0 [.9M +44.5-0]
1300150143	3R9006A20F060	6'0" +2.19-0 [1.8M +55.6-0]



REF. KNOCK-OUT HOLE



Section Z-Z



NOTES:

1. MATERIAL: SEE TABLE
2. FINISHES: SEE TABLE
3. MATES WITH: NONE
4. ELECTRICAL SPECIFICATIONS:
VOLTAGE RATING: 600V AC/DC
CURRENT RATING: 7 AMPS
5. RoHS COMPLIANT

1	ORANGE
2	BLUE
3	RED-BLACK
4	GREEN-BLACK
5	WHITE
6	RED
7	GREEN-YELLOW
8	WHITE-BLACK
9	BLACK

WIRING DIAGRAM

ITEM	QTY.	DESCRIPTION	MATERIAL	FINISH
6	1	LABEL	PLASTIC FILM	BLACK/YELLOW
5	1	POTTING	EPOXY	
4	9	WIRE, 16 AWG (UL 1015)	PVC INSULATED	SEE WIRE DIAGRAM
3	9	CONTACT PIN	BRASS	GOLD PLATED
2	1	INSERT	PVC	YELLOW
1	1	RECEPCTACLE SHELL	ZINC ALLOY	E-COAT, BLACK

DIM WAS 8.00
EC NO: MNA2010-0101
DRAWN BY: DRWINRSTONE 2009/08/17
CHKD BY: WOODMAN
APPR: J. MURPHY 2009/08/21

QUALITY SYMBOLS
▽=0
▽=0

GENERAL TOLERANCES (UNLESS SPECIFIED)

	mm	INCH
4 PLACES	± .005	± .0005
3 PLACES	± .002	± .0002
2 PLACES	± .001	± .0001
1 PLACE	± 0.3	± .012

ANGULAR ±1/2°

DRAFT WHERE APPLICABLE
MUST REMAIN
WITHIN DIMENSIONS

DIMENSION STYLE
IN/MM

DRAWN BY: R. STONE DATE: 2009/03/26

CHECKED BY: B. WOODMAN DATE: 2009/03/27

APPROVED BY: J. MURPHY DATE: 2009/03/31

MATERIAL NO. SEE CHART

SCALE 1:1 DESIGN UNITS INCH

THIRD ANGLE PROJECTION

TITLE MC RECEPTACLE, MALE 9 POLE, 1/2" NPT

MOLEX MOLEX INCORPORATED

DOCUMENT NO. SD-130015-003 SHEET NO. 1 OF 1

THIS DRAWING CONTAINS INFORMATION THAT IS PROPRIETARY TO MOLEX INCORPORATED AND SHOULD NOT BE USED WITHOUT WRITTEN PERMISSION