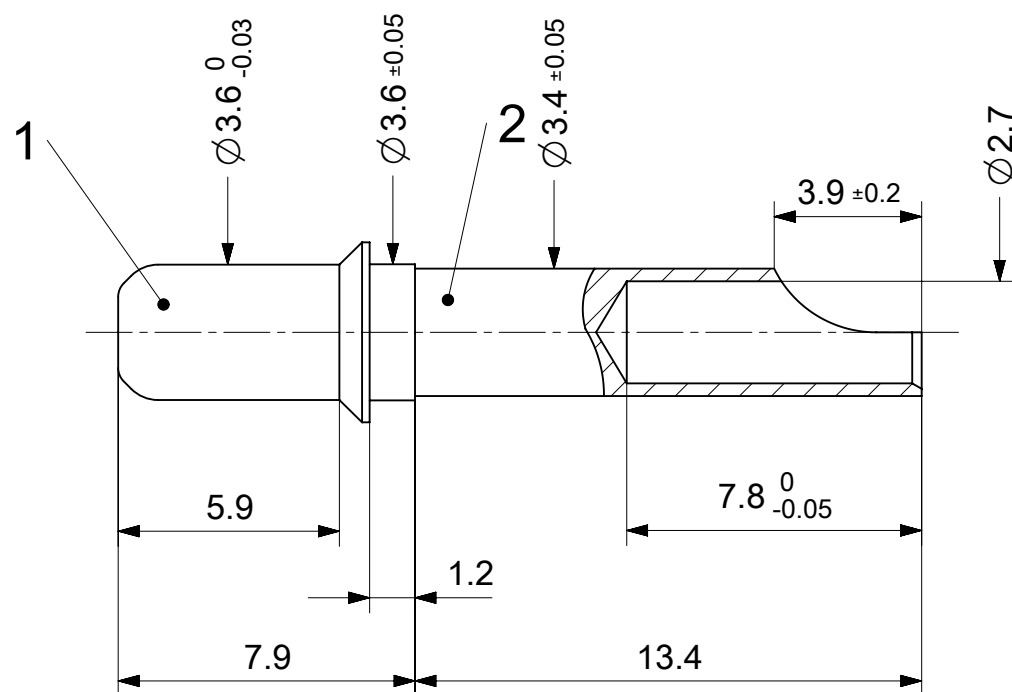


2:1



RoHS compliant
by exemption

| | | |
|-----------------|-----------------|--------------------------------------|
| 1731121230 | FMP146P103I | 103 |
| 1731121231 | FMP146P180I | 180 |
| Material Number | FCT Part Number | Material + Finish See extra sheet |

| | | | |
|--|---|--|---|
| UNLESS OTHERWISE SPECIFIED DIMENSIONS FOR REFERENCE ONLY | | REPLACEMENT FOR DOCUMENT NUMBER: FMP146P_I | |
| FUNCTIONAL SYMBOLS | THIS DRAWING CONTAINS INFORMATION THAT IS PROPRIETARY TO MOLEX ELECTRONIC TECHNOLOGIES, LLC AND SHOULD NOT BE USED WITHOUT WRITTEN PERMISSION | | |
| | DIMENSION UNITS | SCALE | CURRENT REV DESC: |
| $\frac{F}{A} = 0$ | mm | 5:1 | EC NO: 686704 DRWN: VLOKESHA 2021/04/07 CHK'D: MTEUBEL 2021/12/02 APPR: MTEUBEL 2021/12/02 INITIAL REVISION: DRWN: VLOKESHA 2021/04/07 APPR: MTEUBEL 2021/12/02 |
| $\frac{F}{E} = 0$ | GENERAL TOLERANCES (UNLESS SPECIFIED) | | |
| $\frac{F}{P} = 0$ | ANGULAR TOL | ± ° | |
| DIVISIONAL SYMBOLS | 4 PLACES | ± | |
| | 3 PLACES | ± | |
| | 2 PLACES | ± | |
| | 1 PLACE | ± | |
| | 0 PLACES | ± | |
| DRAFT WHERE APPLICABLE MUST REMAIN WITHIN DIMENSIONS | | FIRST ANGLE PROJECTION | DRAWING |
| | | | A4-SIZE |
| | | SERIES | MATERIAL NUMBER |
| | | 173112 | 1731121230 |
| | | CUSTOMER | DOC TYPE |
| | | GENERAL MARKET | PSD |
| | | SHEET NUMBER | REVISION |
| | | 1 OF 1 | A |

| | | | | |
|-----------------|----|--------------|------------|----------|
| DOCUMENT STATUS | P1 | RELEASE DATE | 2021/12/02 | 10:15:21 |
|-----------------|----|--------------|------------|----------|