

Feed-through header - PC 6-16/ 5-G1F-10,16 - 1999039

Please be informed that the data shown in this PDF Document is generated from our Online Catalog. Please find the complete data in the user's documentation. Our General Terms of Use for Downloads are valid (<http://phoenixcontact.com/download>)

PCB headers, nominal current: 76 A, number of positions: 5, pitch: 10.16 mm, color: green, contact surface: Silver, mounting: Wave soldering



The figure shows a 5-pos. version of the product

Your advantages

- ✓ Well-known mounting principle allows worldwide use
- ✓ Screwable flange for superior mechanical stability
- ✓ Maximum flexibility when it comes to device design – one header for connectors with different connection technologies



Key Commercial Data

Packing unit	50 pc
GTIN	
GTIN	4046356038539

Technical data

Dimensions

Length [l]	34 mm
Width	68.56 mm
Pitch	10.16 mm
Dimension a	40.64 mm
Width [w]	68.56 mm
Height [h]	17.4 mm
Height	13.4 mm
Length of the solder pin	4 mm
Pin dimensions	1 x 1.2 mm
Pin spacing	10.16 mm
Length	34 mm

General

Feed-through header - PC 6-16/ 5-G1F-10,16 - 1999039

Technical data

General

Range of articles	PC 6-16/..-G1F
Insulating material group	I
Rated surge voltage (III/3)	8 kV
Rated surge voltage (III/2)	8 kV
Rated surge voltage (II/2)	6 kV
Rated voltage (III/3)	1000 V
Rated voltage (III/2)	1000 V
Rated voltage (II/2)	1000 V
Connection in acc. with standard	EN-VDE
Nominal current I_N	76 A (41 A in combination with PC 6 plug)
Maximum load current	76 A (41 A in combination with PC 6 plug)
Insulating material	PA
Flammability rating according to UL 94	V0
Color	green
Number of positions	5

Standards and Regulations

Connection in acc. with standard	EN-VDE
	CUL
Flammability rating according to UL 94	V0

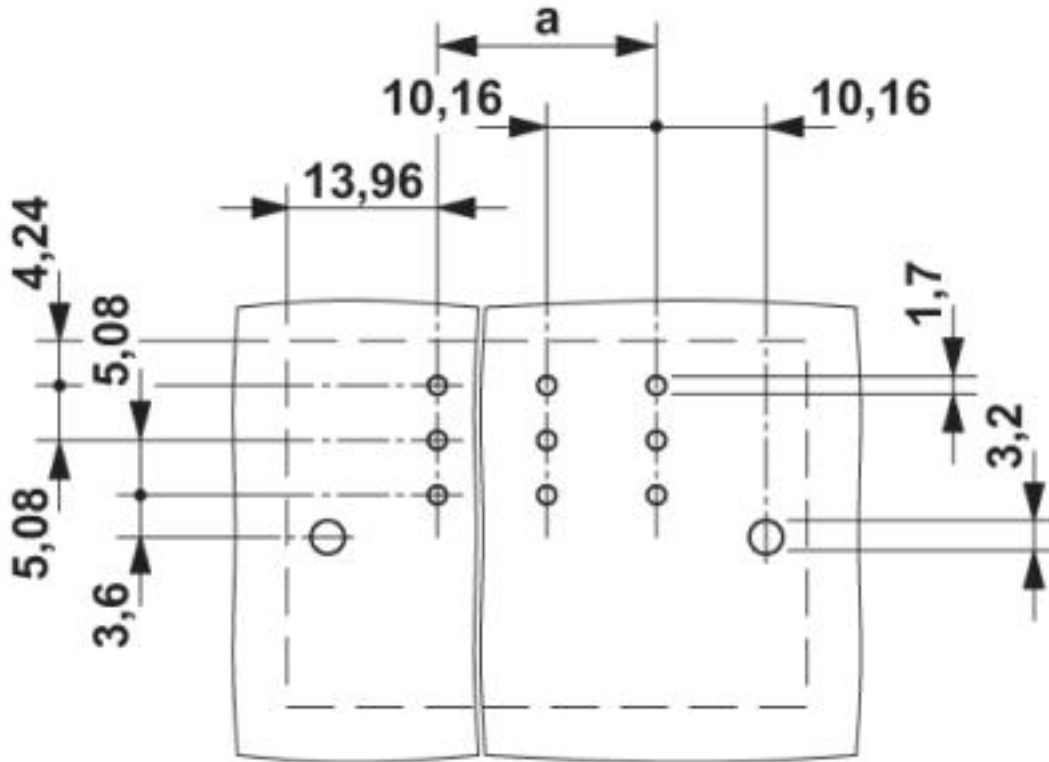
Environmental Product Compliance

China RoHS	Environmentally friendly use period: unlimited = EFUP-e
	No hazardous substances above threshold values

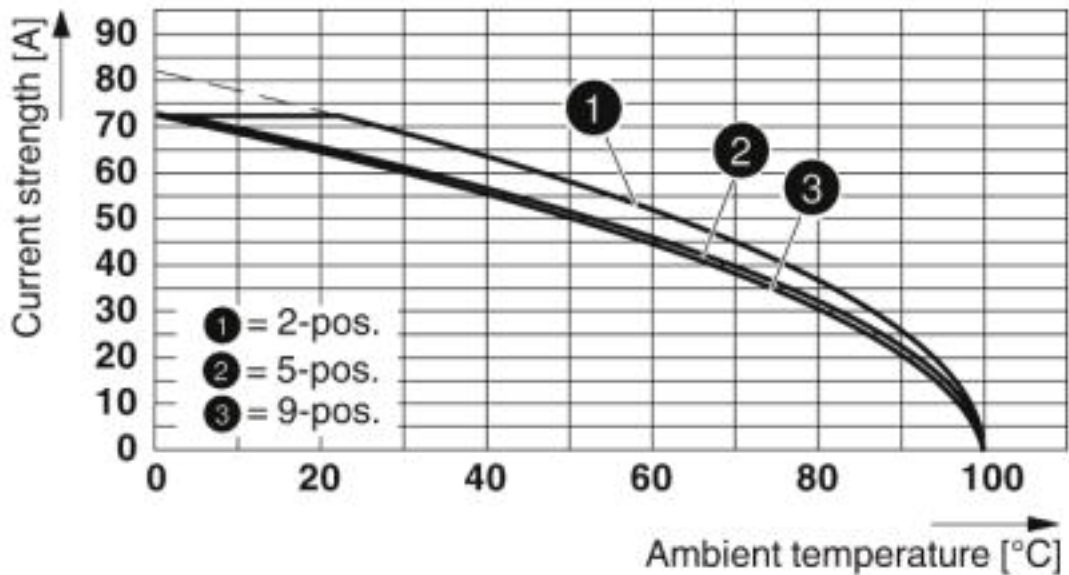
Drawings

Feed-through header - PC 6-16/ 5-G1F-10,16 - 1999039

Drilling diagram



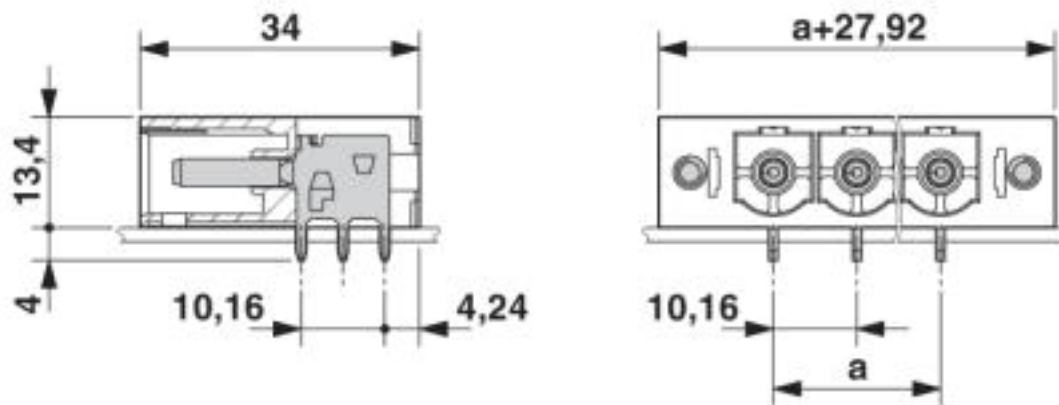
Diagram



Type: PC 16/...-STF-10,16 with PC 6-16/...-G1F-10,16

Feed-through header - PC 6-16/ 5-G1F-10,16 - 1999039

Dimensional drawing



Approvals

Approvals

Approvals

IECEE CB Scheme / SEV / EAC / cULus Recognized

Ex Approvals

Approval details


IECEE CB Scheme		http://www.iecee.org/	CH-8077
Nominal voltage UN	1000 V		
Nominal current IN	76 A		

SEV		https://www.electrosuisse.ch/de/meta/shop/produktezertifikate.html	IK-3431
Nominal voltage UN	1000 V		
Nominal current IN	76 A		

EAC		B.01742	
-----	--	---------	--

Feed-through header - PC 6-16/ 5-G1F-10,16 - 1999039

Approvals

cULus Recognized		http://database.ul.com/cgi-bin/XYV/template/LISEXT/1FRAME/index.htm	E60425-20040202
	B	C	D
Nominal voltage UN	300 V	300 V	600 V
Nominal current IN	66 A	66 A	5 A

Phoenix Contact 2019 © - all rights reserved
<http://www.phoenixcontact.com>

PHOENIX CONTACT GmbH & Co. KG
Flachsmarktstr. 8
32825 Blomberg
Germany
Tel. +49 5235 300
Fax +49 5235 3 41200
<http://www.phoenixcontact.com>