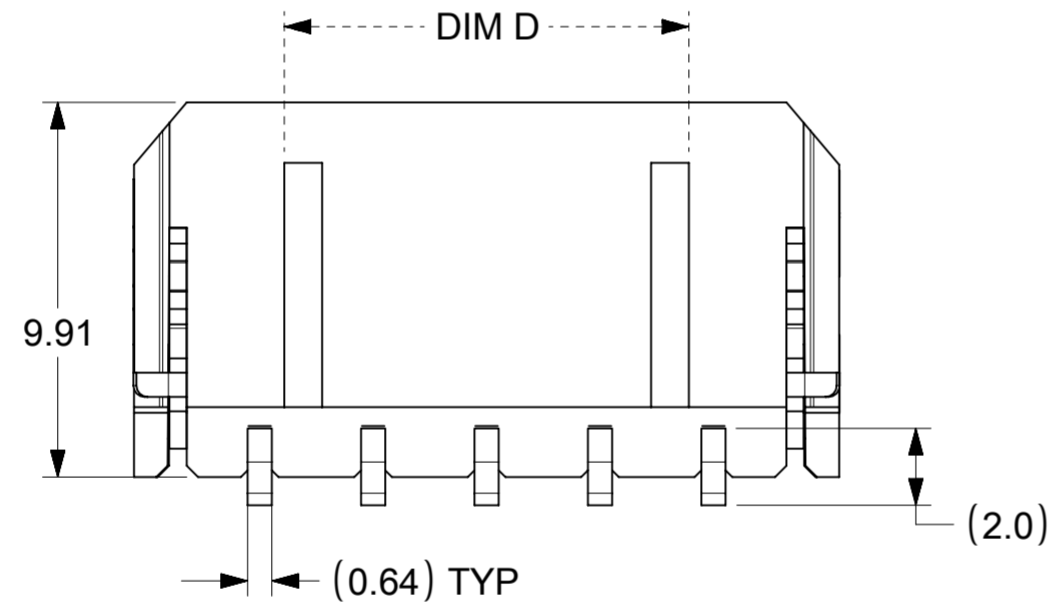
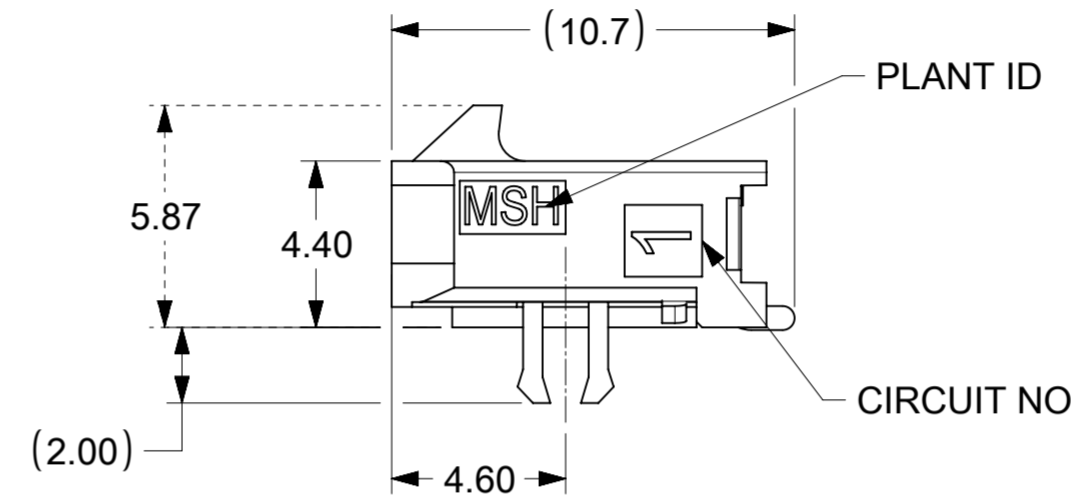
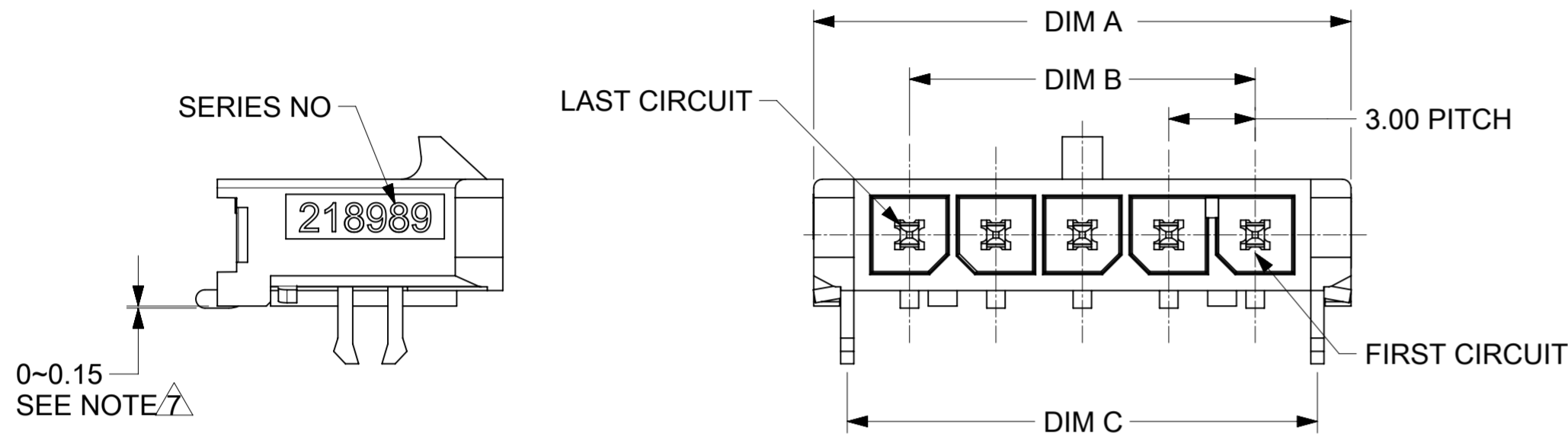


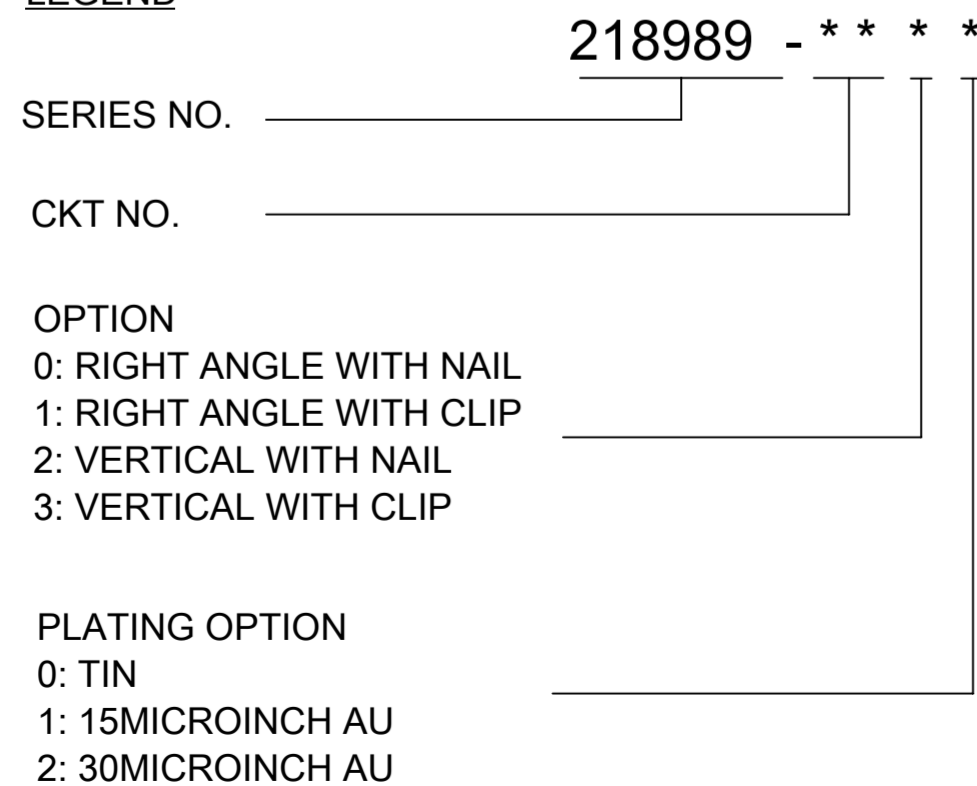
FINISH TYPE	"0" TIN	"1" 15MICROINCH GOLD	"2" 30MICROINCH GOLD				
CKT	HDR ASSY PN	HDR ASSY PN	HDR ASSY PN	A	B	C	D
2	2189890210	2189890211	2189890212	9.65	3.00	7.30	2.95
3	2189890310	2189890311	2189890312	12.65	6.00	10.30	2.95
4	2189890410	2189890411	2189890412	15.65	9.00	13.30	7.70
5	2189890510	2189890511	2189890512	18.65	12.00	16.30	10.70



**NOTES:**

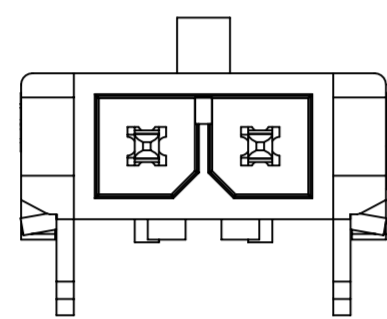
- HOSING MATERIAL: GLASS FILLED LIQUID CRYSTAL POLYMER, UL 94V-0, COLOR: BLACK  
TERMINAL MATERIAL: HIGH COPPER ALLOY
- FINISH:  
OPTION "0": REFLOW MATTE TIN OVER NICKEL  
OPTION "1": SELECT 15MICROINCH GOLD AND SELECT MATTE TIN OVER NICKEL.  
OPTION "2": SELECT 30MICROINCH GOLD AND SELECT MATTE TIN OVER NICKEL.
- PRODUCT SPECIFICATION : 2064600000-PS
- PRODUCT TEST SUMMARY: 2064600000-TS
- T&R PACK : 2189890001-PK
- MATE WITH RECEPTACLE 215759
- THE COPLANARITY DIMENSION IS ESTABLISHED BY PLACING THE ASSEMBLY ON A FLAT SURFACE. THE DISTANCE FROM THAT SURFACE TO THE BOTTOM OF ANY TERMINAL OR NAIL MUST NOT EXCEED 0.15
- THIS PART CONFORMS TO CLASS 'B' REQUIREMENTS OF COSMETIC SPECIFICATION PS-45499-002.
- METAL TAB MAY BE FLUSH WITH PCB. NO EXPOSED TRACES OR VIAS ALLOWED NEAR THESE AREAS.

**LEGEND**

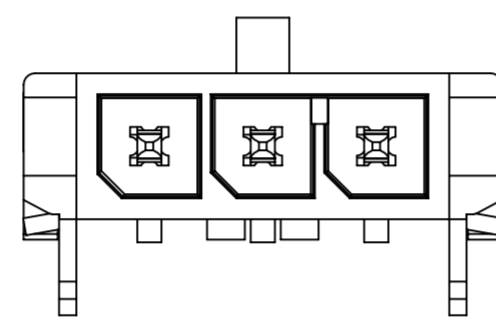


THIS DRAWING CONTAINS INFORMATION THAT IS PROPRIETARY TO MOLEX ELECTRONIC TECHNOLOGIES, LLC AND SHOULD NOT BE USED WITHOUT WRITTEN PERMISSION									
DIMENSION UNITS	SCALE	CURRENT REV DESC:							
mm	NTS								
GENERAL TOLERANCES (UNLESS SPECIFIED)					MICRO-FIT + SINGLE ROW RIGHT ANGLE SMT HEADER WITH PRESS CLIP PRODUCT CUSTOMER DRAWING				
ANGULAR TOL ± 3.0°									
4 PLACES	±	EC NO: 732047			DOCUMENT NUMBER: 2189890010-SD DOC TYPE: PSD DOC PART: 000 REVISION: A1				
3 PLACES	±	DRWN: ZIXUAQ 2022/12/14							
2 PLACES	±	CHK'D: XQZHANG 2022/12/14			MATERIAL NUMBER: SEE TABLE CUSTOMER: GENERAL MARKET SHEET NUMBER: 1 OF 2				
1 PLACE	±	APPR: XQZHANG 2022/12/14							
0 PLACES	±	INITIAL REVISION:			DRAWING: A2-SIZE SERIES: 218989				
DRAFT WHERE APPLICABLE MUST REMAIN WITHIN DIMENSIONS		DRWN: ZIXUAQ 2022/09/08							
THIRD ANGLE PROJECTION		APPR: XQZHANG 2022/10/17							

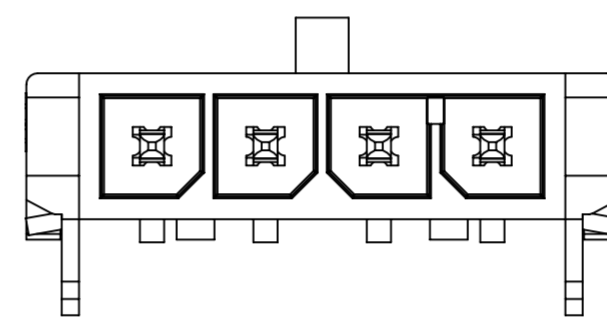
DOCUMENT STATUS	RELEASE DATE



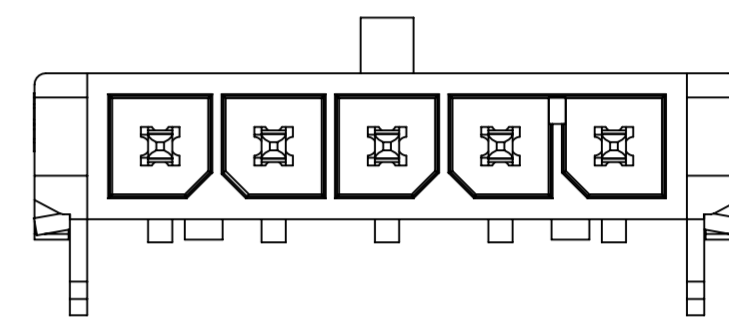
2CKT



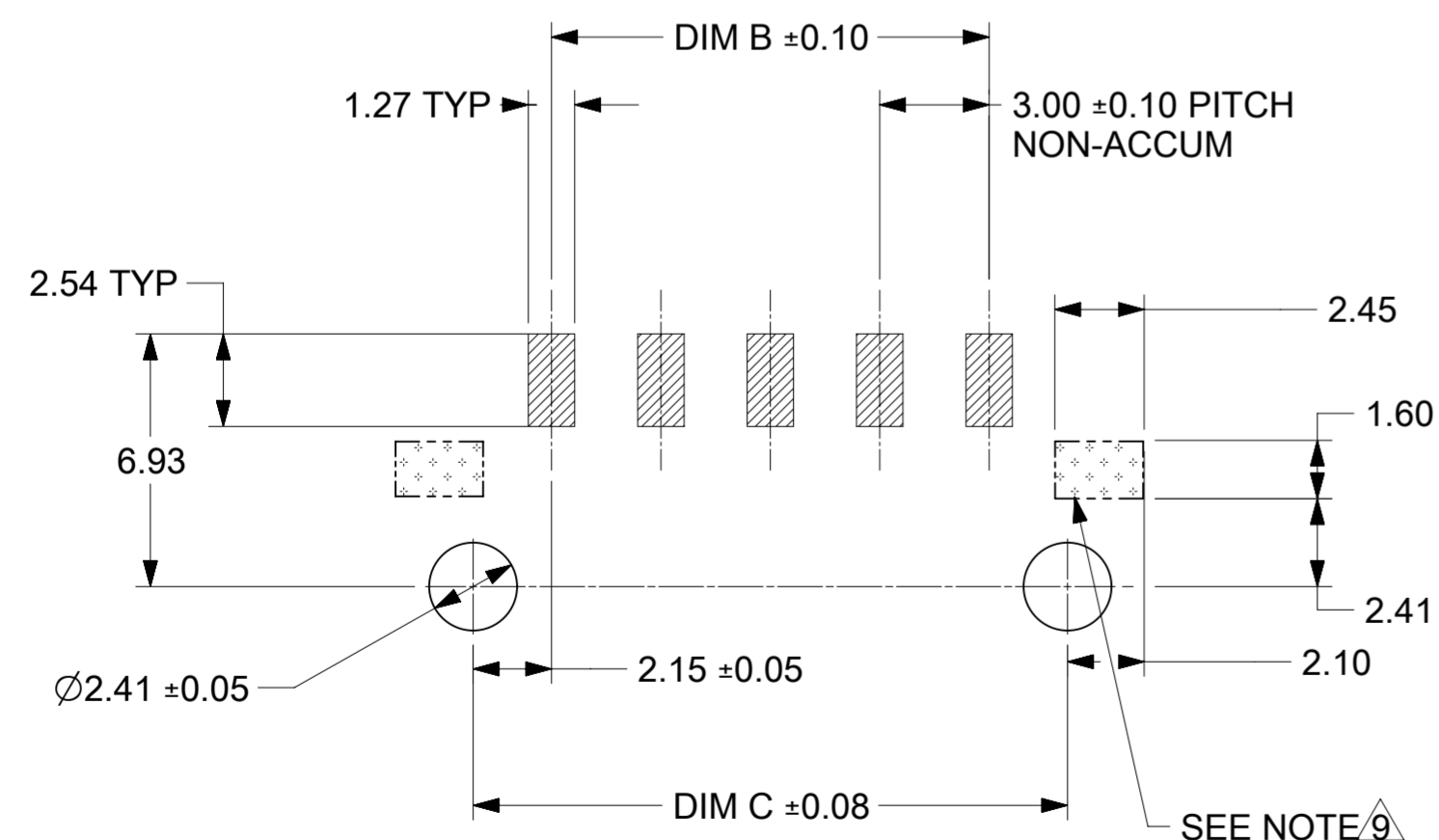
4CKT



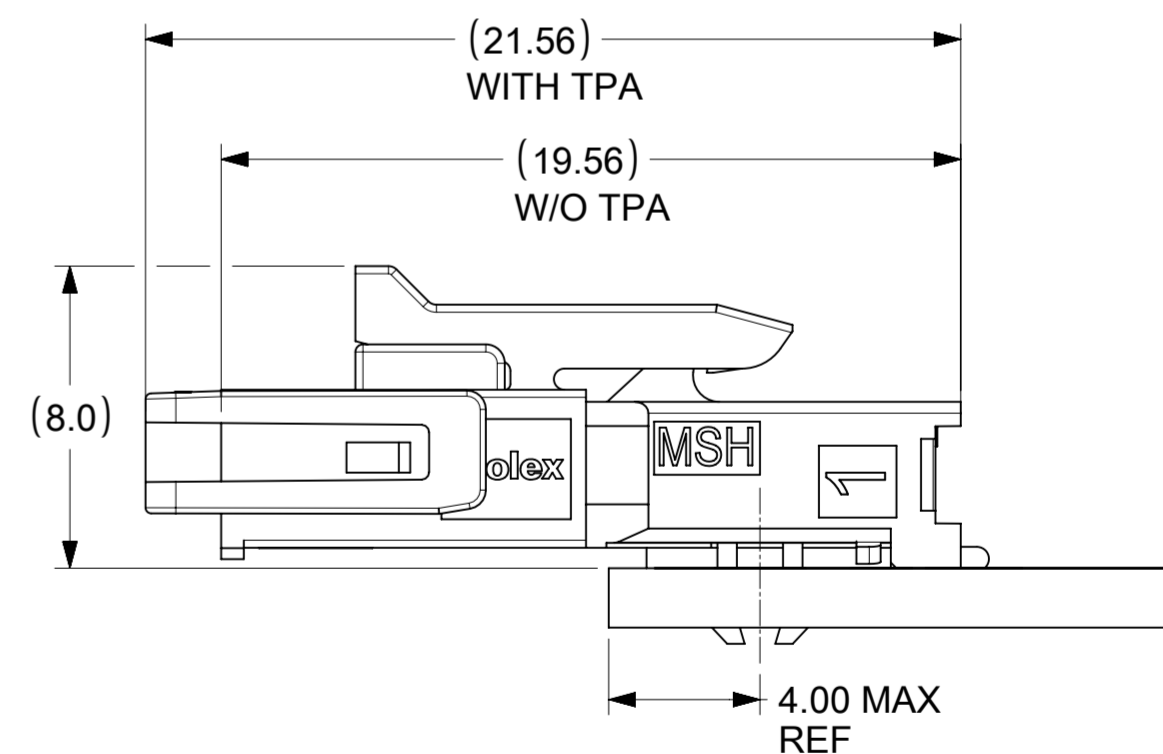
6CKT



8CKT



PCB LAYOUT: COMPONENT SIDE  
RECOMMEND PCB THICKNESS: 1.60±0.05MM



THIS DRAWING CONTAINS INFORMATION THAT IS PROPRIETARY TO MOLEX ELECTRONIC TECHNOLOGIES, LLC AND SHOULD NOT BE USED WITHOUT WRITTEN PERMISSION											
DIMENSION UNITS	SCALE	CURRENT REV DESC:									
mm	NTS										
GENERAL TOLERANCES (UNLESS SPECIFIED)						MICRO-FIT + SINGLE ROW RIGHT ANGLE SMT HEADER WITH PRESS CLIP					
ANGULAR TOL ± 3.0°						PRODUCT CUSTOMER DRAWING					
4 PLACES	±	EC NO: 732047					DOCUMENT NUMBER		DOC TYPE	DOC PART	REVISION
3 PLACES	±	DRWN: ZIXUAQ	2022/12/14				2189890010-SD		PSD	000	A1
2 PLACES	± 0.25	CHK'D: XQZHANG	2022/12/14								
1 PLACE	± 0.36	APPR: XQZHANG	2022/12/14								
0 PLACES	±	INITIAL REVISION:									
DRAFT WHERE APPLICABLE MUST REMAIN WITHIN DIMENSIONS		DRWN: ZIXUAQ	2022/09/08								
		APPR: XQZHANG	2022/10/17								
		THIRD ANGLE PROJECTION	DRAWING	SERIES	MATERIAL NUMBER	CUSTOMER	SHEET NUMBER				
			A2-SIZE	218989	SEE TABLE	GENERAL MARKET	2 OF 2				

DOCUMENT STATUS	RELEASE DATE
-----------------	--------------