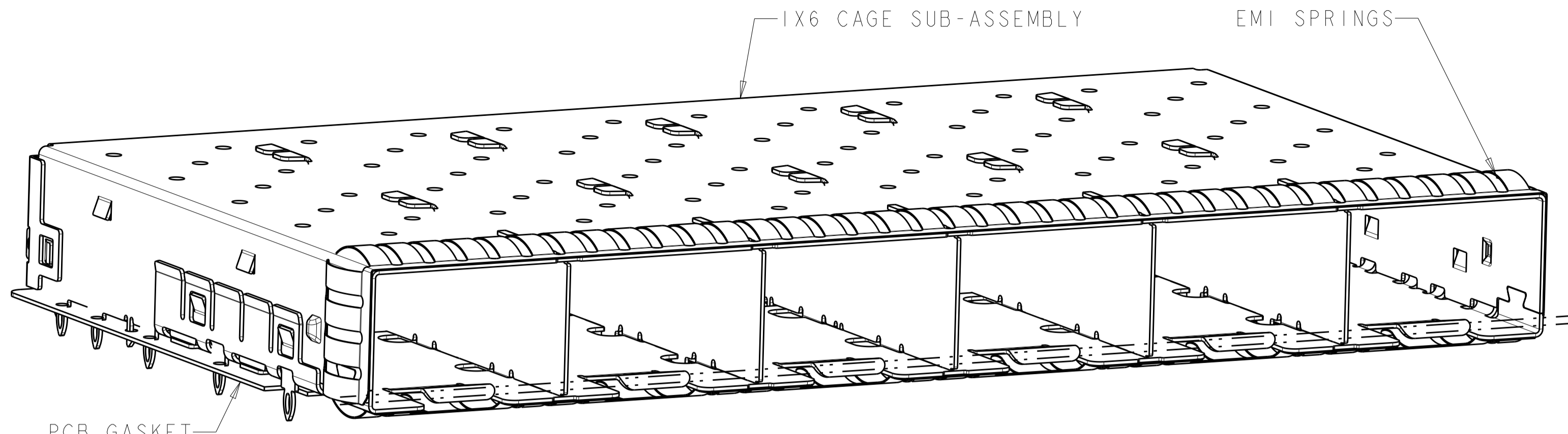
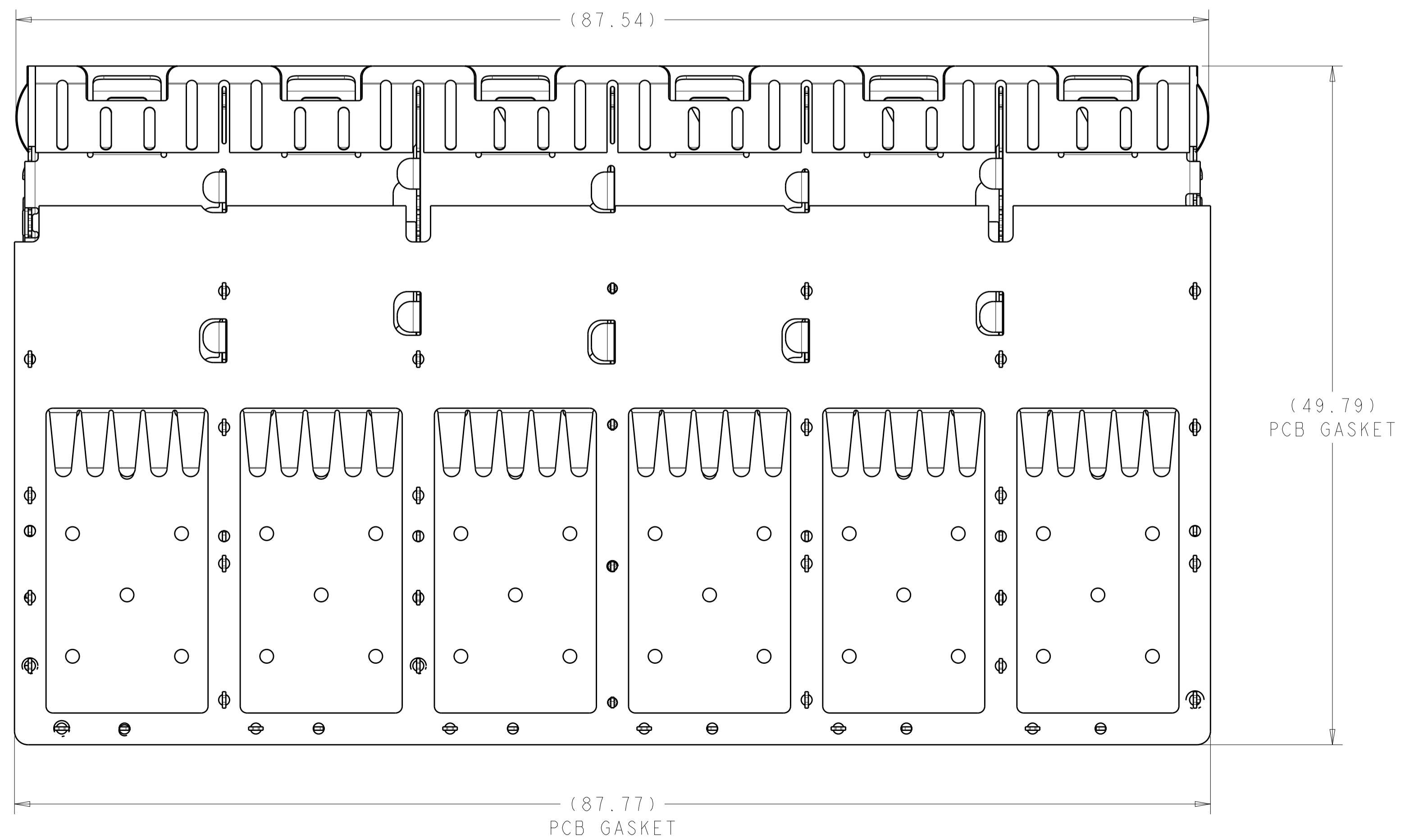
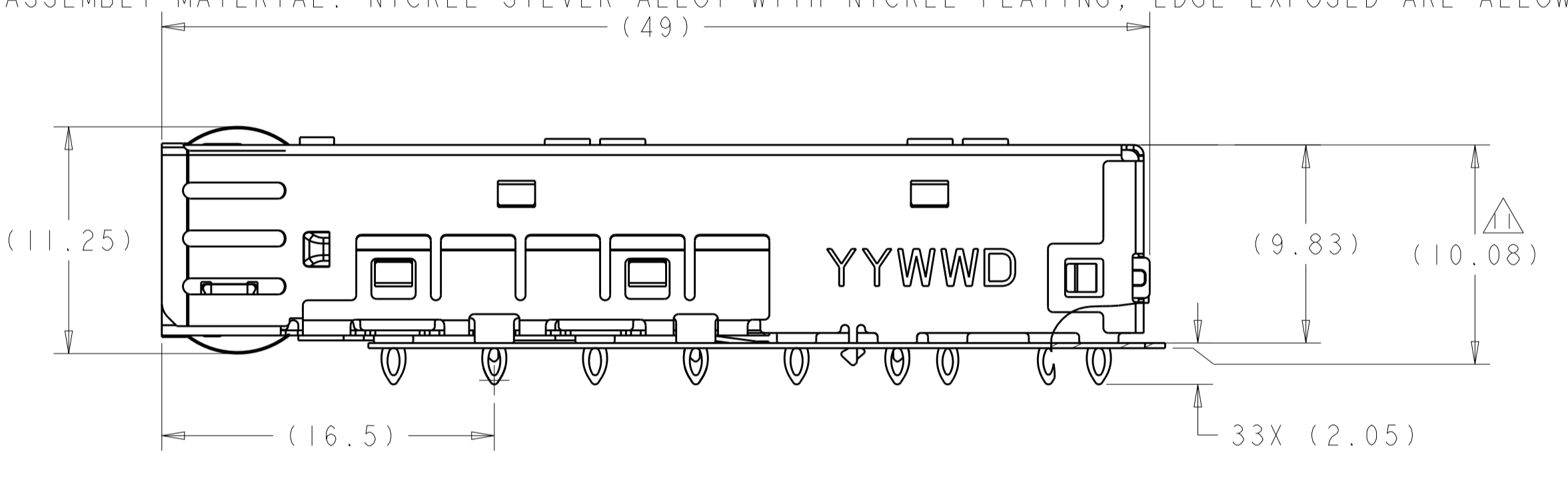
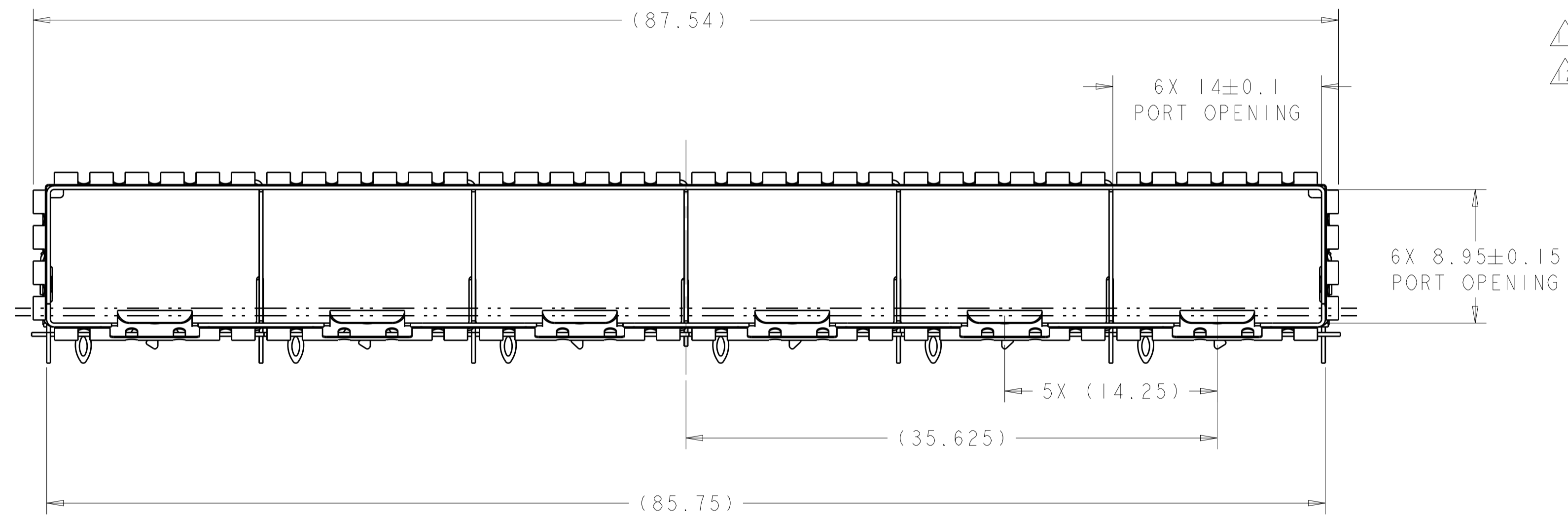


LOC	DIST	REVISIONS					
GP	00	P	LTN	DESCRIPTION	DATE	DWN	APVD
		A		REVISED PER ECO-15-002647	05MAR2015	AP	MS
		B		REVISED PER ECO-15-007912	29MAY2015	PP	SH
		B1		REVISED PER ECO-16-014593	13FEB2017	JW	SH
		B2		REVISED PER ECO-18-018494	26NOV2018	JW	SH



2227732-1/1-2227732-1
SCALE 4:1

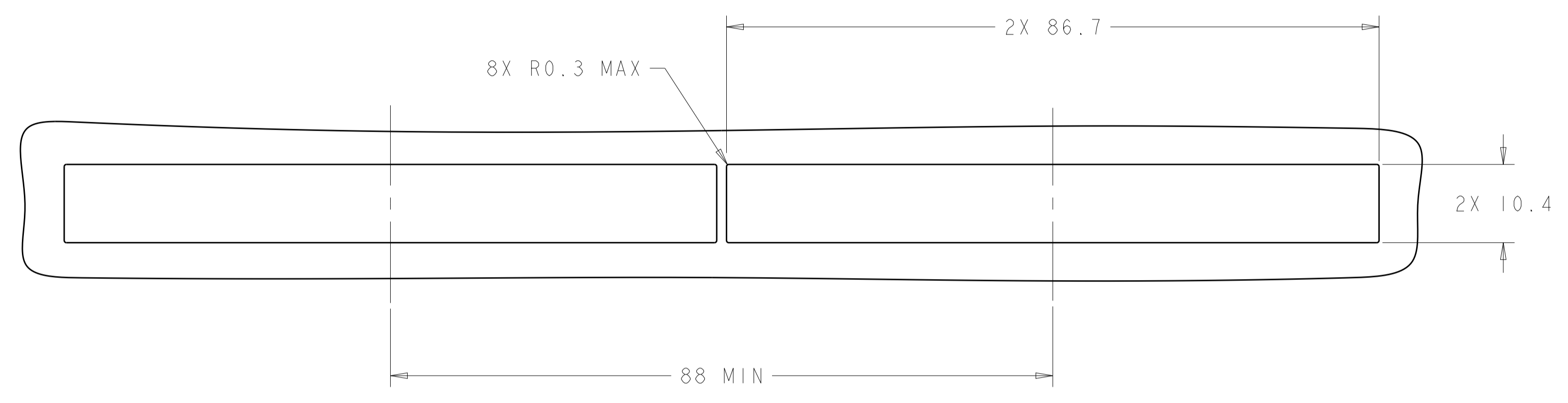
1. MATERIAL:
CAGE ASSEMBLY: NICKEL SILVER ALLOY
EMI SPRINGS: COPPER ALLOY WITH NICKEL PLATING
PCB GASKET: RF ABSORBER
 2. MINIMUM PC BOARD THICKNESS:
SINGLE SIDED = 1.45mm
BELLY TO BELLY = 2.25mm
 3. PADS AND VIAS CHASSIS GROUND
 4. DATUM AND BASIC DIMENSION ESTABLISHED BY CUSTOMER
 5. MATES WITH SFP MSA COMPLIANT TRANSCEIVERS
 6. INTERPRETATION OF DATUM REFERENCE FRAME IN ACCORDANCE WITH SECT 4.4.1.1 OF ASME Y14.5M-1994
 7. REFERENCE APPLICATION SPEC. 114-13120, HOLE A, FOR RECOMMENDED DRILL HOLE DIAMETER AND PLATING THICKNESS
 8. REFERENCE APPLICATION SPEC. 114-13120, HOLE B, FOR RECOMMENDED DRILL HOLE DIAMETER AND PLATING THICKNESS
 9. HOLE PATTERN REPEATS FOR EACH PORT, SPACING BETWEEN PORTS IS 14.25mm
 10. PRODUCT COMPLIES WITH SPECIFICATION SFF-8433, IMPROVED PLUGGABLE FORM FACTOR FOR SFP+ GANGED CAGES
- CONTACT STANDOFF WILL PIERCE GASKET WHEN PROPERLY PRESSED INTO PCB.
CAGE ASSEMBLY MATERIAL: NICKEL SILVER ALLOY WITH NICKEL PLATING, EDGE EXPOSED ARE ALLOWED



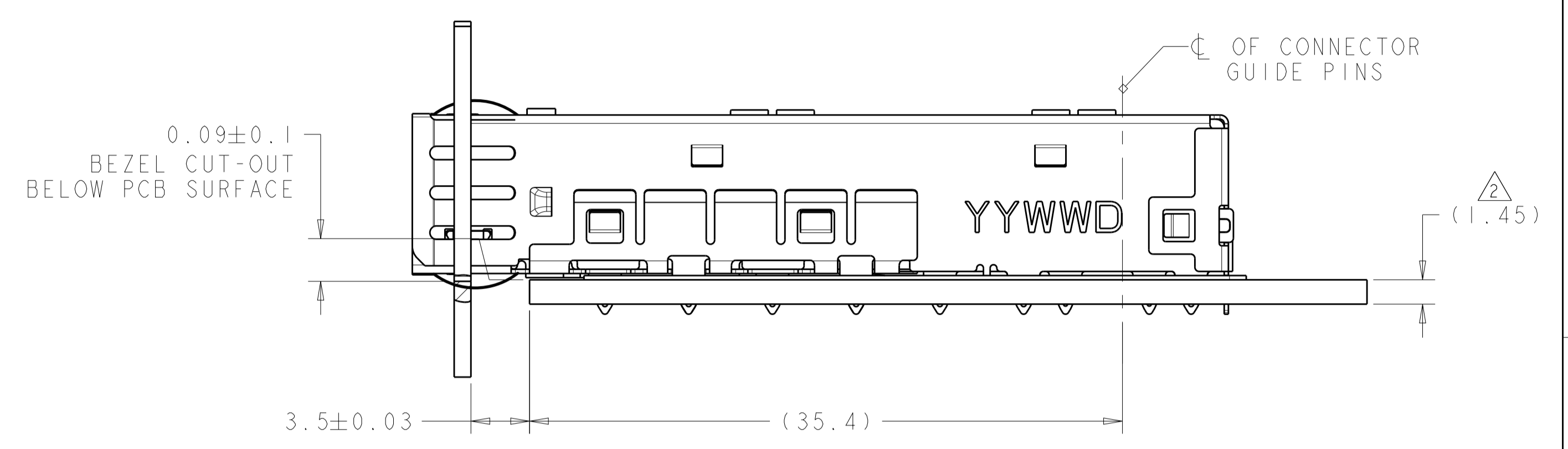
1-2227732-1
2227732-1
PART NUMBER

THIS DRAWING IS A CONTROLLED DOCUMENT. DIMENSIONING AND TOLERANCING PER ASME Y14.5M-2009.		DWN: C. VALENTINE 08MAR2013 CHK: M. PHILLIPS 08MAR2013 APVD: M. PHILLIPS 08MAR2013	TE Connectivity NAME: CAGE ASSEMBLY, ENHANCED, PRESS-FIT, 1X6, zSFP+ PRODUCT SPEC: 108-2364 APPLICATION SPEC: 114-13120	SIZE: A1 CAGE CODE: 00779 DRAWING NO: C=2227732	RESTRICTED TO: -
DIMENSIONS: mm	TOLERANCES UNLESS OTHERWISE SPECIFIED: 0 PLC ±0.25 1 PLC ±0.25 2 PLC ±0.25 3 PLC ±0.25 4 PLC ±0.25 ANGLES ±1°	WEIGHT: - Customer Drawing		SCALE: 4:1	SHEET: 1 OF 4

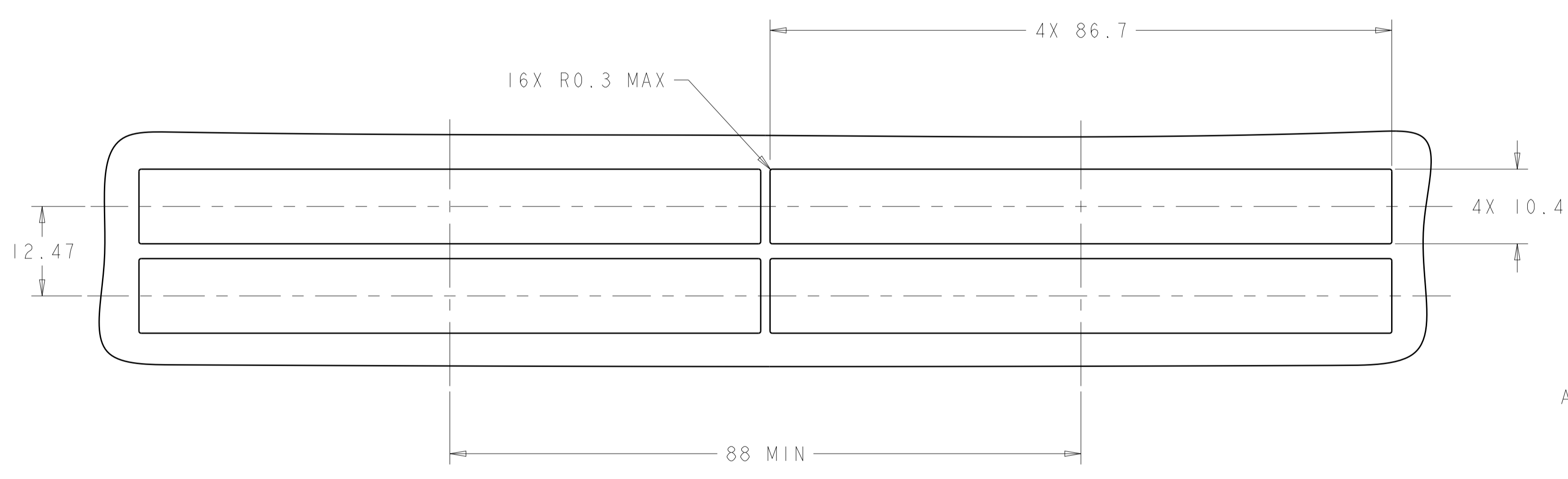
LOC		DIST		REVISIONS			
GP	00	P	LTN	DESCRIPTION	DATE	DMN	APVD
-	-	-	-	SEE SHEET 1	-	-	-



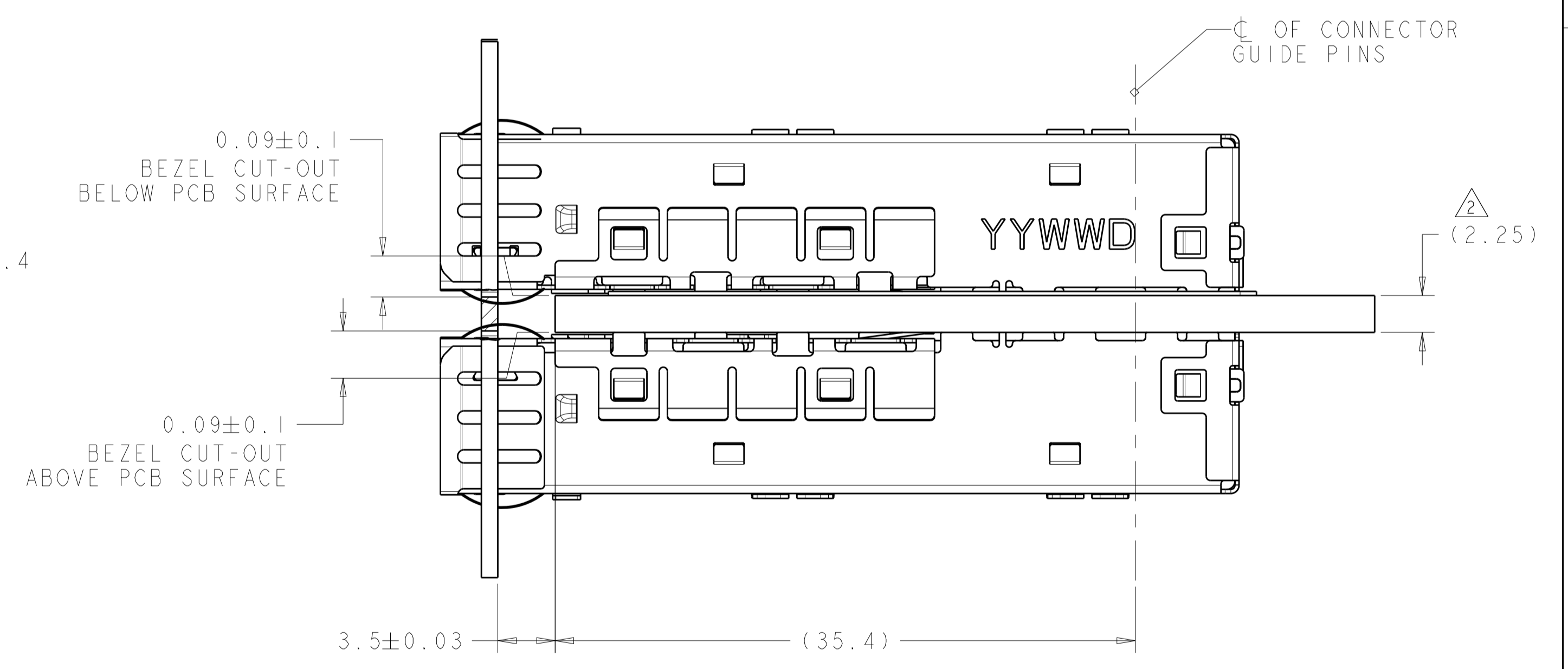
RECOMMENDED BEZEL OPENING
 SINGLE SIDED APPLICATIONS
 SCALE 2:1



MOUNTED ON PC BOARD
 SHOWN THRU RECOMMENDED BEZEL
 SCALE 4:1



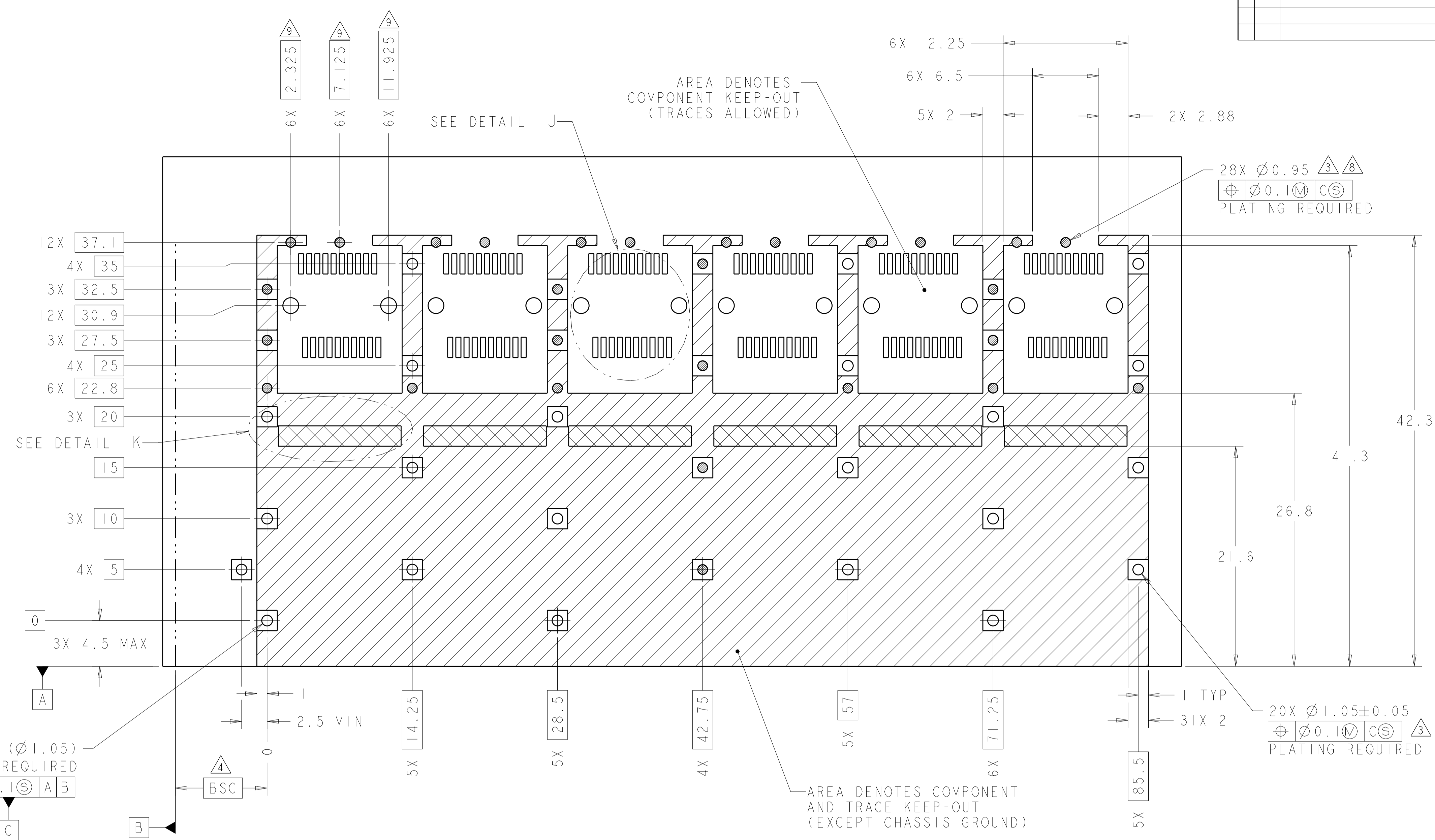
RECOMMENDED BEZEL OPENING
 BELLY TO BELLY APPLICATIONS
 SCALE 2:1



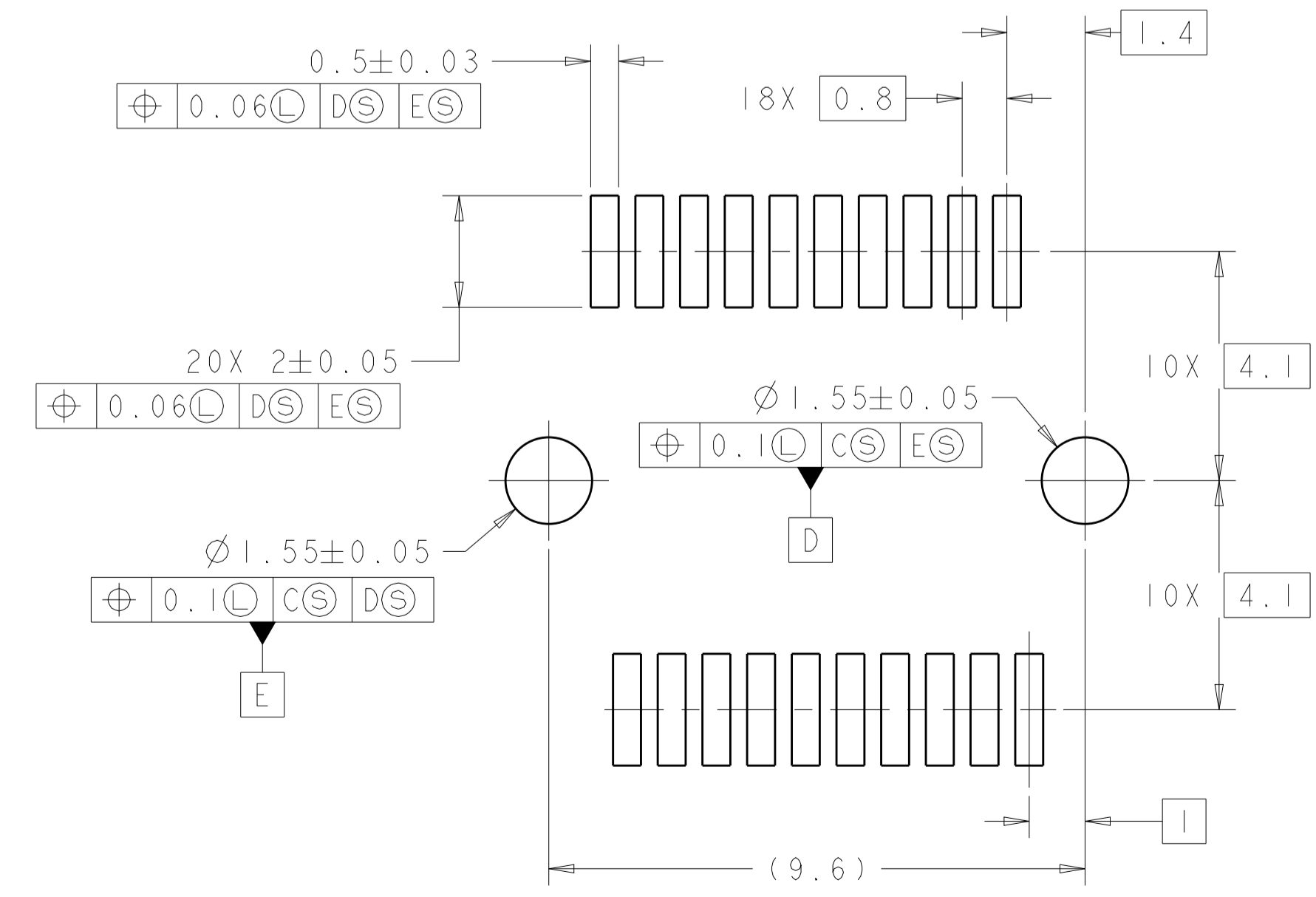
MOUNTED BELLY TO BELLY ON PC BOARD
 SHOWN THRU RECOMMENDED BEZEL
 SCALE 4:1

THIS DRAWING IS A CONTROLLED DOCUMENT. DIMENSIONING AND TOLERANCING PER ASME Y14.5M-2009		DMN C. VALENTINE 08MAR2013	TE Connectivity
TOLERANCES UNLESS OTHERWISE SPECIFIED:		CHK M. PHILLIPS 08MAR2013	
DIMENSIONS:	mm	APVD M. PHILLIPS 08MAR2013	NAME CAGE ASSEMBLY, ENHANCED, PRESS-FIT, 1X6, zSFP+
	0 PLC ±0.1 1 PLC ±0.1 2 PLC ±0.08 3 PLC ±0.05 4 PLC ± ANGLES ±°	PRODUCT SPEC 108-2364	SIZE 114-13120
MATERIAL	FINISH	APPLICATION SPEC 114-13120	RESTRICTED TO
		WEIGHT	A100779C=2227732
		Customer Drawing	SCALE 4:1 SHEET 2 OF 4 REV B2

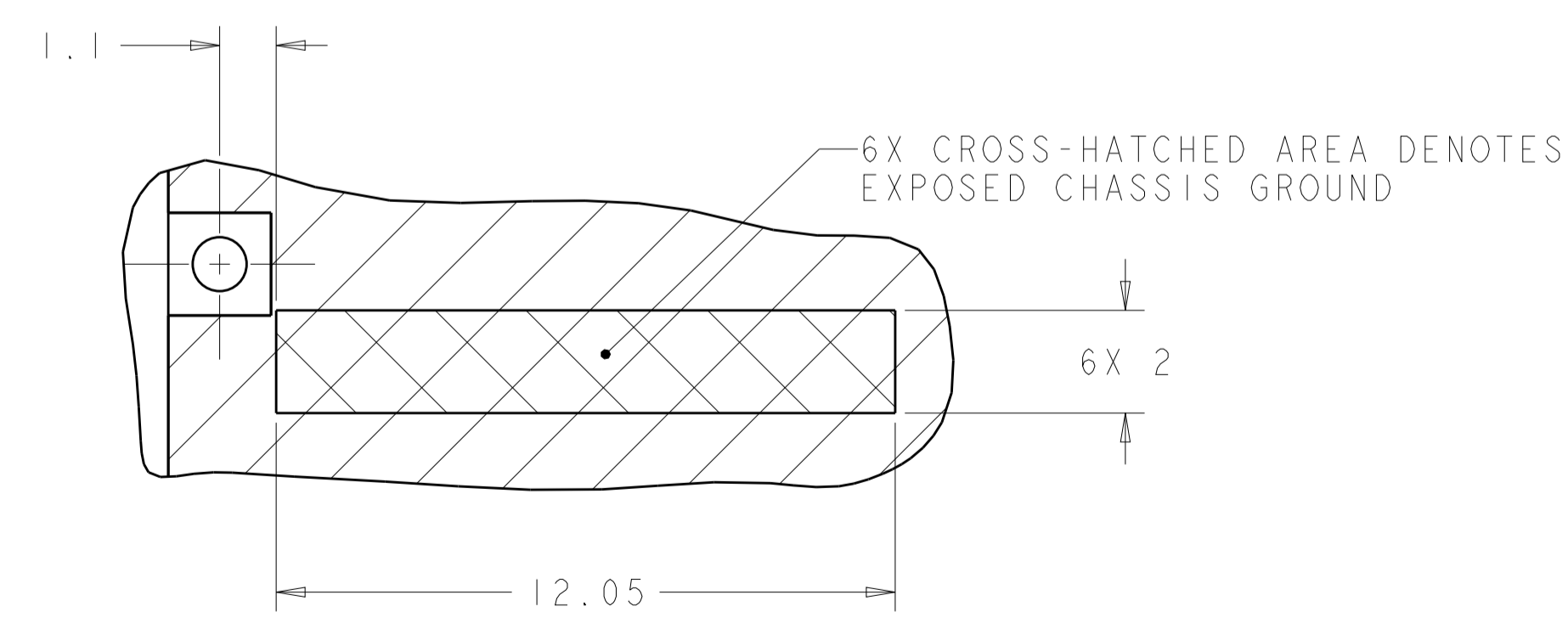
LOC	DIST	REV	DATE	BY	APPV
GP	00				



RECOMMENDED PCB CONFIGURATION
 WITH KEEP-OUT AREAS FOR SINGLE SIDED APPLICATION
 SCALE 4:1



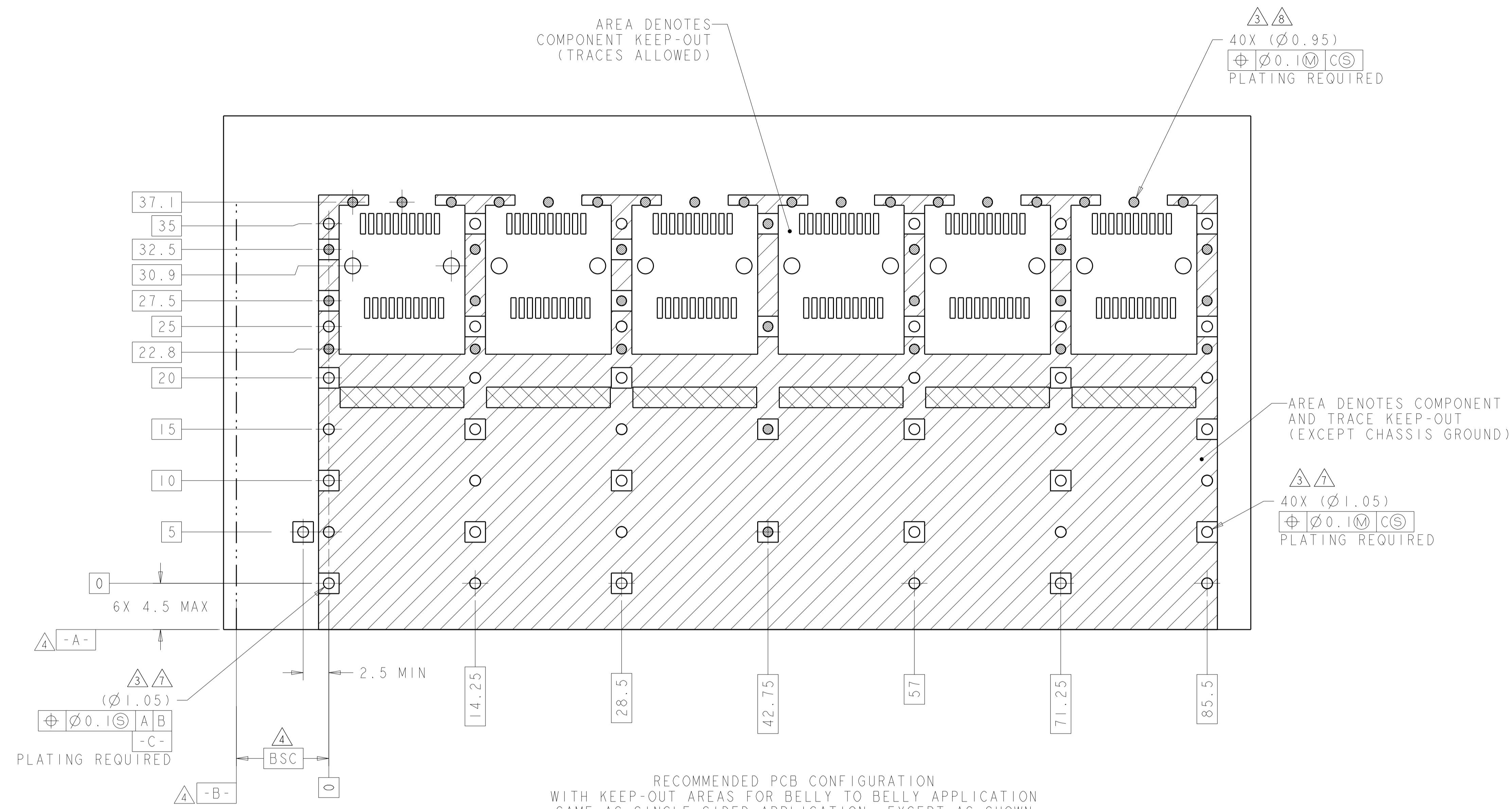
DETAIL J
 RECOMMENDED PT CONNECTOR LAYOUT
 SCALE 10:1



DETAIL K
 SCALE 8:1

THIS DRAWING IS A CONTROLLED DOCUMENT. DIMENSIONING AND TOLERANCING PER ASME Y14.5M-2009.		OWN: C. VALENTINE 08MAR2013 CHK: M. PHILLIPS 08MAR2013 APPV: M. PHILLIPS 08MAR2013	NAME: CAGE ASSEMBLY, ENHANCED, PRESS-FIT, 1X6, zSFP+
DIMENSIONS: mm	TOLERANCES UNLESS OTHERWISE SPECIFIED: 0 PLC ±0.1 1 PLC ±0.1 2 PLC ±0.08 3 PLC ±0.05 4 PLC ±0.05 ANGLES ±1°	PRODUCT SPEC: 108-2364 APPLICATION SPEC: 114-13120	SIZE: A100779 CAGE CODE: C=2227732
MATERIAL:	FINISH:	WEIGHT:	RESTRICTED TO: -
Customer Drawing		SCALE: 4:1	SHEET 3 OF 4 REV B2

LOC	DIST	REVISIONS			
P	LTN	DESCRIPTION	DATE	DWN	APVD
-	-	SEE SHEET 1	-	-	-



RECOMMENDED PCB CONFIGURATION
 WITH KEEP-OUT AREAS FOR BELLY TO BELLY APPLICATION
 SAME AS SINGLE SIDED APPLICATION, EXCEPT AS SHOWN
 SCALE 4:1

THIS DRAWING IS A CONTROLLED DOCUMENT. DIMENSIONING AND TOLERANCING PER ASME Y14.5M-2009		DWN: C. VALENTINE 08MAR2013 CHK: M. PHILLIPS 08MAR2013 APVD: M. PHILLIPS 08MAR2013	TE Connectivity NAME: CAGE ASSEMBLY, ENHANCED, PRESS-FIT, 1X6, zSFP+
DIMENSIONS: mm TOLERANCES UNLESS OTHERWISE SPECIFIED: 0 PLC ±0.1 1 PLC ±0.1 2 PLC ±0.08 3 PLC ±0.05 4 PLC ± ANGLES ±° FINISH ±1*		PRODUCT SPEC: 108-2364 APPLICATION SPEC: 114-13120 WEIGHT: - Customer Drawing	