

PLEASE CHECK WWW.MOLEX.COM FOR LATEST PART INFORMATION

Part Number: [0025021034](#)
Status: **Active**
Overview: [C-Grid Connector Products](#)
Description: 2.54mm Pitch C-Grid Header, Dual Row, Shrouded, with PC Slot and Guide Ear, 34 Circuits, 0.76µm Gold (Au) Selective Plating

Documents:

[3D Model](#) [Packaging Specification PK-70873-0070-001 \(PDF\)](#)
[Drawing \(PDF\)](#) [RoHS Certificate of Compliance \(PDF\)](#)
[Product Specification PS-70204-001 \(PDF\)](#)

Agency Certification

CSA LR19980
 UL E29179

General

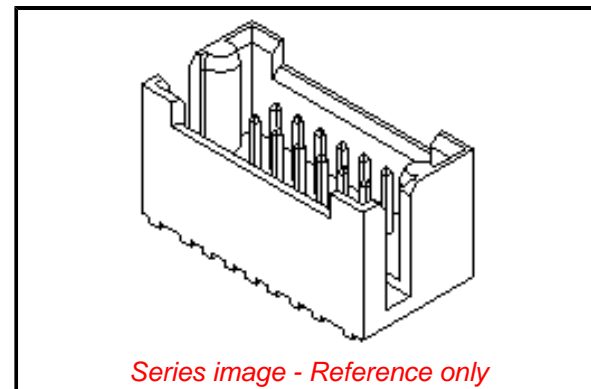
Product Family PCB Headers
 Series [70204](#)
 Application Board-to-Board, Signal
 Overview [C-Grid Connector Products](#)
 Product Name C-Grid
 UPC 800753780200

Physical

Breakaway No
 Circuits (Loaded) 34
 Circuits (maximum) 34
 Color - Resin Black
 Durability (mating cycles max) 50
 Flammability 94V-0
 Glow-Wire Capable No
 Guide to Mating Part Yes
 Lock to Mating Part None
 Material - Metal Brass, Phosphor Bronze
 Material - Plating Mating Gold
 Material - Plating Termination Tin
 Material - Resin Nylon
 Net Weight 6.592/g
 Number of Rows 2
 Orientation Vertical
 PC Tail Length 2.79mm
 PCB Locator No
 PCB Retention None
 Packaging Type Tray
 Pitch - Mating Interface 2.54mm
 Plating min - Mating 0.762µm
 Plating min - Termination 1.905µm
 Polarized to Mating Part Yes
 Polarized to PCB No
 Shrouded Fully
 Stackable No
 Temperature Range - Operating -40° to +105°C
 Termination Interface: Style Through Hole

Electrical

Current - Maximum per Contact 3.0A
 Voltage - Maximum 250V



Series image - Reference only

EU ELV

Not Relevant

EU RoHS

Compliant
REACH SVHC

Not Contained Per -
 ED/61/2018 (27 June
 2018)

Halogen-Free
Status

Not Low-Halogen

For more information, please visit [Contact US](#)

China ROHS	Green Image
ELV	Not Relevant
RoHS Phthalates	Not Contained

Search Parts in this Series

[70204 Series](#)

Mates With

[71973](#)

Solder Process Data

Duration at Max. Process Temperature (seconds)	005
Lead-free Process Capability	WAVE
Max. Cycles at Max. Process Temperature	001
Process Temperature max. C	245

Material Info

Engineering Number	A-70204-0336
--------------------	--------------

Reference - Drawing Numbers

Packaging Specification	PK-70873-0070-001
Product Specification	PS-70204-001
Sales Drawing	SDA-70204-0321-0384

This document was generated on 03/28/2019

PLEASE CHECK WWW.MOLEX.COM FOR LATEST PART INFORMATION