

**ebm-papst St. Georgen GmbH & Co. KG**

Hermann-Papst-Str. 1

D-78112 St. Georgen

Phone +49 (0) 7724 81-0

Fax +49 (0) 7724 81-1309

info2@de.ebmpapst.com

www.ebmpapst.com

Nominal data

| Type | 8312 L | |
|--------------------------|-------------------|---------|
| Nominal voltage | VDC | 12 |
| Nominal voltage range | VDC | 6 .. 15 |
| Speed (rpm) | min ⁻¹ | 2000 |
| Power consumption | W | 1.2 |
| Min. ambient temperature | °C | -20 |
| Max. ambient temperature | °C | 75 |
| Air flow | m ³ /h | 32 |
| Sound power level | B | 4.0 |
| Sound pressure level | dB(A) | 24 |

ml = Max. load · me = Max. efficiency · fa = Free air · cs = Customer specification · ce = Customer equipment
Subject to change

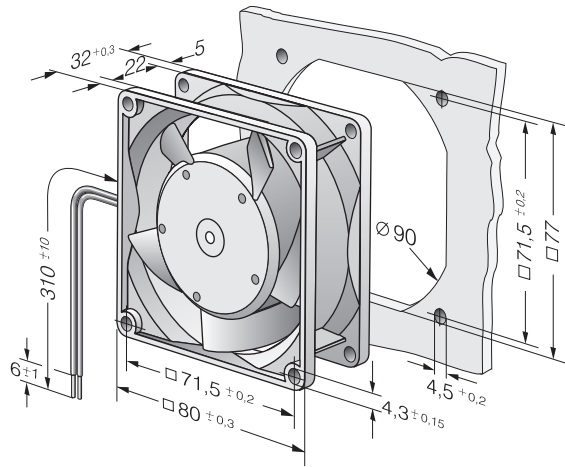


Technical description

| | |
|--|--|
| Housing material | Glass-fiber reinforced PBT plastic |
| Impeller material | Glass-fiber reinforced PA plastic |
| Weight | 0.170 kg |
| Dimensions | 80 x 80 x 32 mm |
| Airflow direction | Exhaust over struts |
| Direction of rotation | Clockwise, viewed toward rotor |
| Storage | Ball bearing |
| Service life L10 at 40 °C | 80000 h |
| Service life L10 at maximum temperature | 32500 h |
| Cable | Leads AWG 22, TR 64, stripped and tin-plated. |
| Motor protection | Protection against reverse polarity and blocked rotor. |
| Locked-rotor protection | Locked-rotor and overload protection |
| Approval | VDE, CSA, UL, CE |
| Option | Possible custom designs: Speed signal Go / No-go alarm Alarm with speed limit External temperature sensor Internal temperature sensor PWM control input Analog control input Moisture protection Salt spray protection Degree of protection: IP54 / IP68 |



Product drawing



Curves: Air performance

